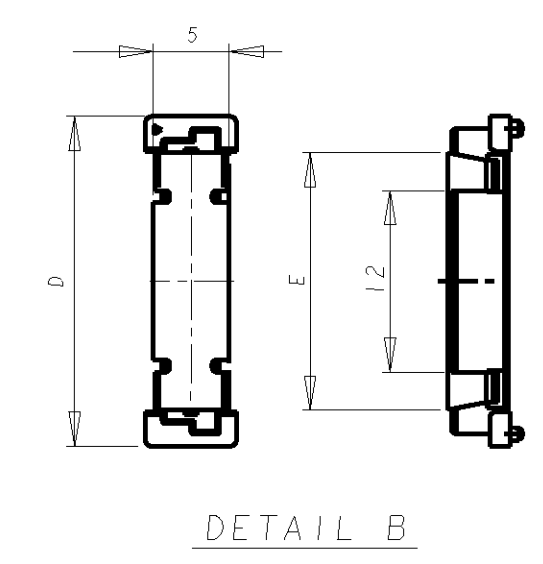
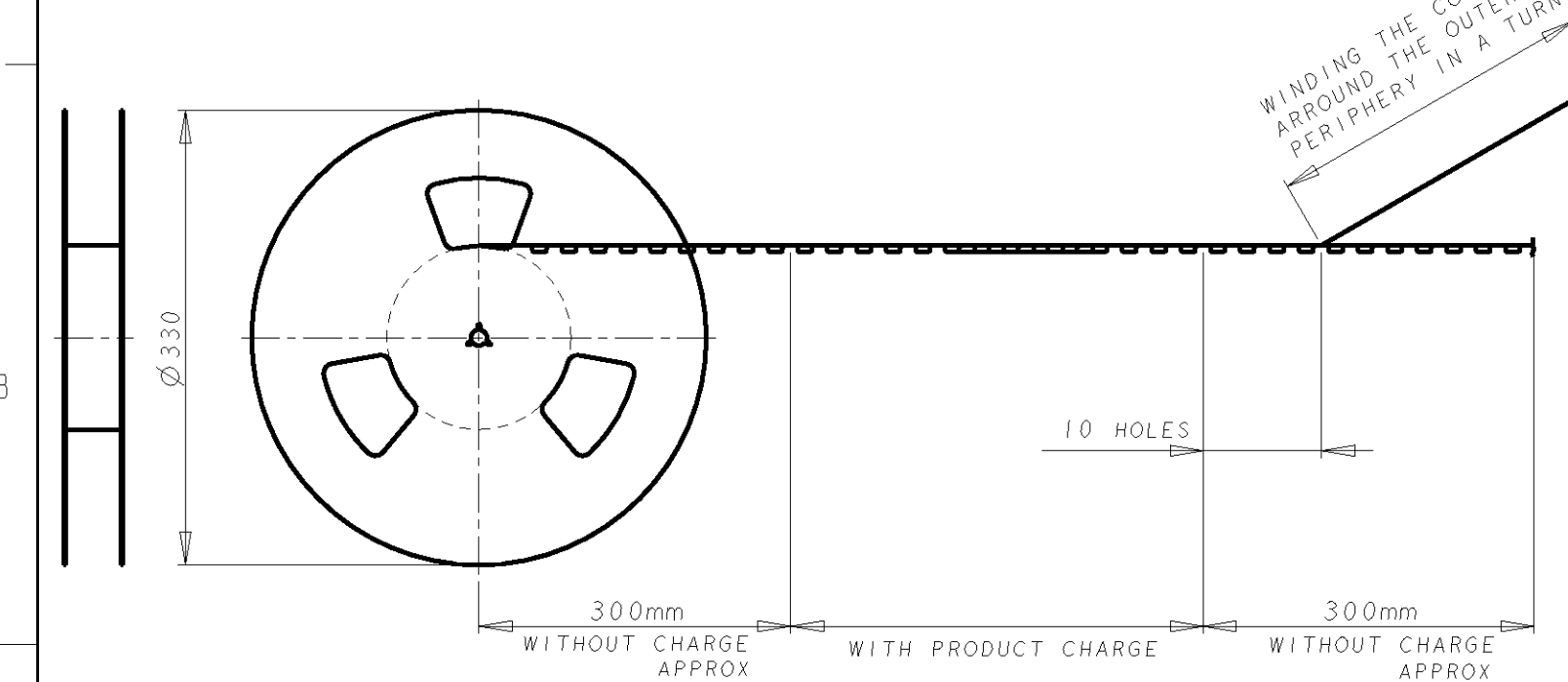
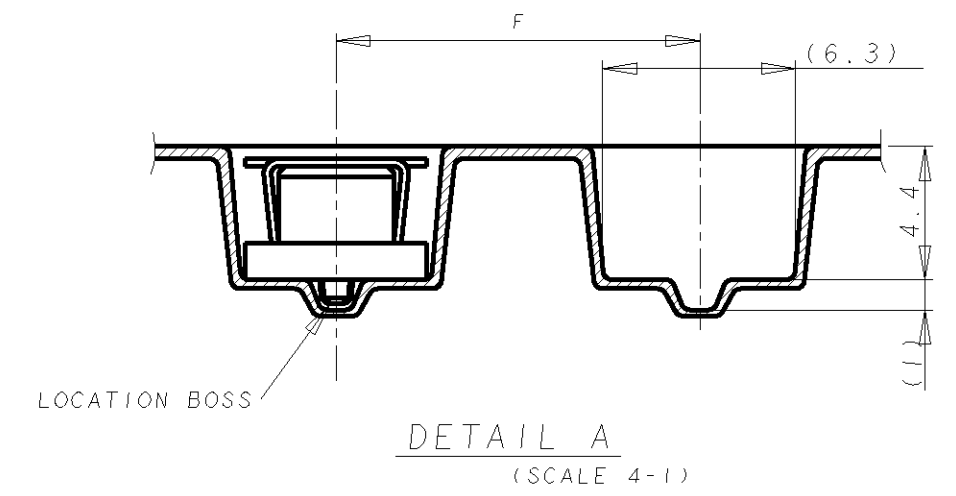
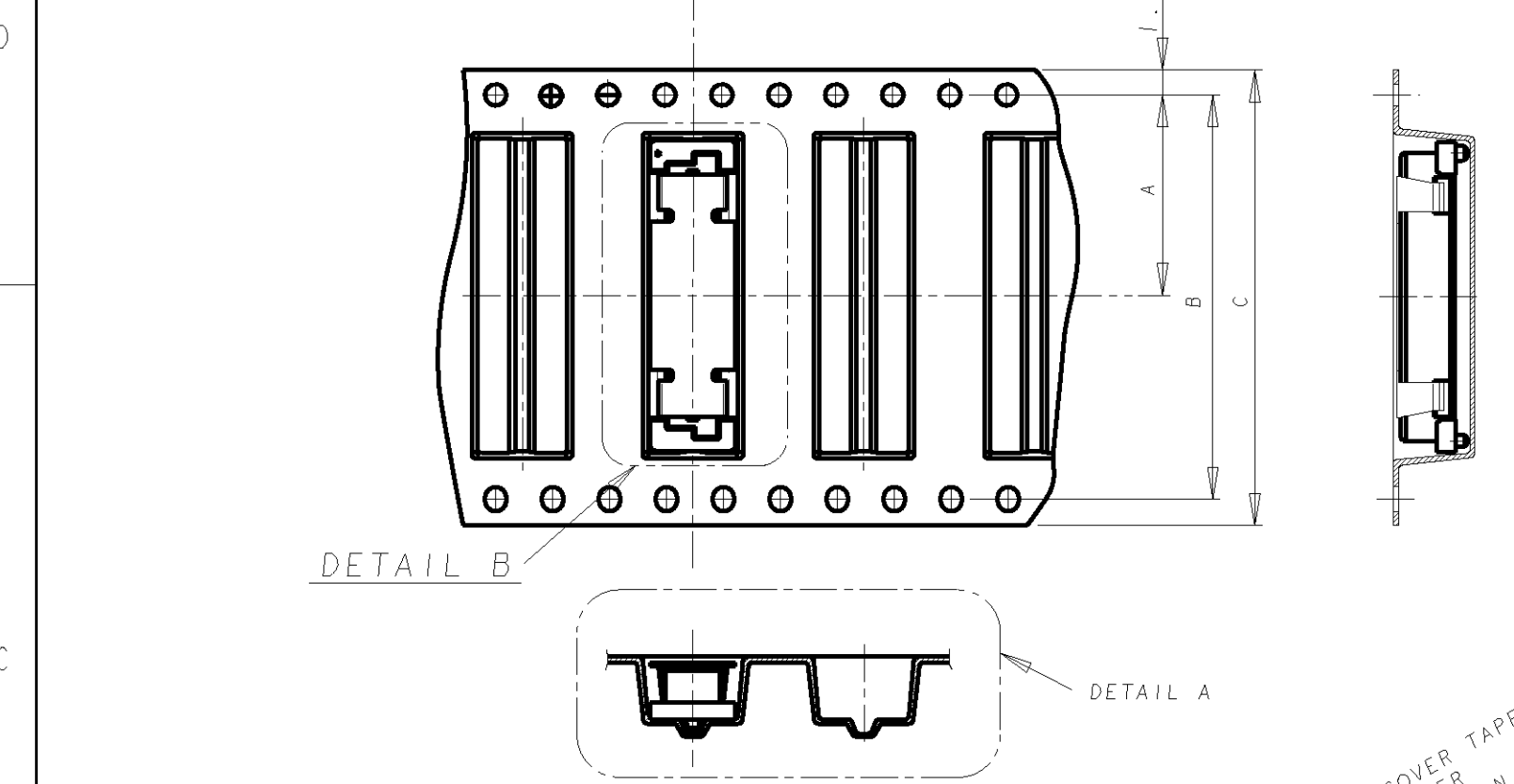


THIS DRAWING IS UNPUBLISHED. RELEASED FOR PUBLICATION .19  
 © COPYRIGHT 19 BY AMP INCORPORATED. ALL RIGHTS RESERVED.

LOC	DIST	REVISIONS					
		P	LTR	DESCRIPTION	DATE	DWN	APVD
DY	-	0		NPR PER FP00-0227-04	15SEP04	FTAN	LSF



AVAILABLE				70.1	88	84.4	42.2	160		-8	-8
				61.8	88	84.4	42.2	140		-6	-6
				53.8	72	68.4	34.2	120		-5	-5
	700	16		45.8	72	68.4	34.2	100		-4	-4
				37.8	56	52.4	26.2	80		-3	-3
				29.8	44	40.4	20.2	60		-2	-2
	1000	12	17	21.8	32	28.4	14.2	40	5177983-1		5177985-1
TOOLING STATUS	QTY	F	E	D	C	B	A	POS	CONN P/N	PART NO.	

<small>THIS DRAWING IS A CONTROLLED DOCUMENT FOR AMP INCORPORATED. IT IS SUBJECT TO CHANGE AND THE CONTROLLING ENGINEERING ORGANIZATION SHOULD BE CONTACTED FOR THE LATEST REVISION.</small>		DWN SK LEAW 17MAY2004 CHK ERIC TNG 17MAY2004 APVD SF L FONG PRODUCT SPEC - APPLICATION SPEC - WEIGHT -	<b>tyco</b> Tyco Electronics <b>Electronics</b> Singapore Pte Ltd NAME RECEPTACLE ASSEMBLY 5H TYPE (0.5 BOSS LENGTH) FOR FH 0.8 B-T-B CONN, ON TAPING SIZE A3 CAGE CODE 00779 DRAWING NO C-5177985
DIMENSIONS: mm 	TOLERANCES UNLESS OTHERWISE SPECIFIED: 0 PLC ± 1 PLC ±0.3 2 PLC ±0.25 3 PLC ±0.2 4 PLC ± ANGLES ±3°	MATERIAL 1 FINISH 2	CUSTOMER DRAWING SCALE 2:1 SHEET 1 OF 1 REV 0