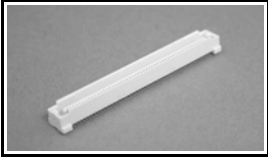


5177984-1 Product Details

[Share](#) [Print](#) [Email](#)




5177984-1

TE Internal Number: 5177984-1

 Active

[View 3D PDF](#)

0.8mm Free Height

 Always EU RoHS/ELV Compliant
(Statement of Compliance)

Product Highlights:

- Connector Style = Plug
- 40 Positions
- PCB Mounting Orientation = Vertical
- Board-to-Board Stack Height = 5.00 mm, 9.00 mm, 13.00 mm, 17.00 mm
- Gold (8) Contact Plating, Mating Area, Material

[View all Features](#)

Quick Links

- ▶ [Pricing & Availability](#)
- ▶ [Search for Tooling](#)
- ▶ [View Mating Products \(19\)](#)
- ▶ [Product Feature Selector](#)
- ▶ [Contact Us About This Product](#)

[Add to My Part List](#)

[Request Sample](#)

[Find Similar Products](#)

[Buy Product](#)

Documentation & Additional Information

Product Drawings:

- [PLUG ASSY \(STACK HEIGHT : 5MM\) FOR FH 0.8 PITCH B-T-...](#) (PDF, English)

Catalog Pages/Data Sheets:

- [Fine Pitch Stacking Connectors - 0.8mm Free Height \(...\)](#) (PDF, English)

Product Specifications:

- [Free Height 0.8 mm Pitch Board-to-Board Connector \(SMT\)](#) (PDF, English)

Application Specifications:

- None Available

Instruction Sheets:

- None Available

CAD Files: (CAD Format & Compression Information)

- [2D Drawing](#) (DXF, Version 0)
- [3D Model](#) (IGES, Version 0)
- [3D Model](#) (STEP, Version 0)

[List all Documents](#)

Additional Product Images:

- [Product Photo](#)

Related Products:

- [Tooling](#)
- [Mating Products \(19\)](#)

Product Features (Please use the Product Drawing for all design activity)

Product Type Features:

- PCB Mounting Orientation = Vertical
- Family Name = Free Height
- Keyed = Yes
- Sealant = Without

Dimensions:

- [Board-to-Board Stack Height \(mm \[in\]\)](#) = 5.00 [0.197], 9.00 [0.354], 13.00 [0.512], 17.00 [0.669]
- Height = 5H

Body Features:

- [Locating Post\(s\)](#) = With
- [Vacuum Cover](#) = Without
- [Locating Post Length](#) = 0.5 mm

Housing Features:

- Connector Style = Plug
- Housing Color = Natural
- Housing Material = Liquid Crystal Polymer (LCP)
- UL Flammability Rating = UL 94V-0
- Housing Material Temperature = High

Configuration Features:

- [Number of Positions](#) = 40
- [Number of Rows](#) = Dual

Industry Standards:

- [RoHS/ELV Compliance](#) = RoHS compliant, ELV compliant
- [Lead Free Solder Processes](#) = Reflow solder capable

Contact Features:

- [Contact Plating](#), [Mating Area](#), [Material](#) = Gold (8)
- Contact Base Material = Copper Alloy
- Solder Tail Contact Plating = Tin over Nickel

to 245°C, Reflow solder capable to 260°C

- RoHS/ELV Compliance History = Always was RoHS compliant

Packaging Features:

- [Packaging Method](#) = Tube

Other:

- Brand = AMP

Corporate Information

[About TE](#)
[Investors](#)
[News Room](#)
[Supplier Portal](#)
[Careers](#)
[Terms & Conditions](#)
[Privacy Policy](#)

Quick Links

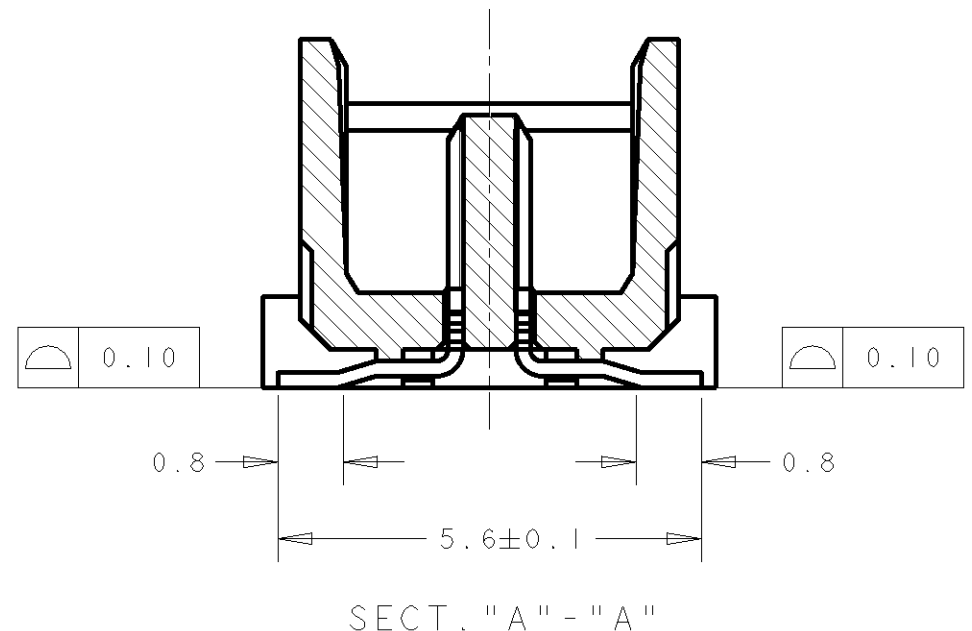
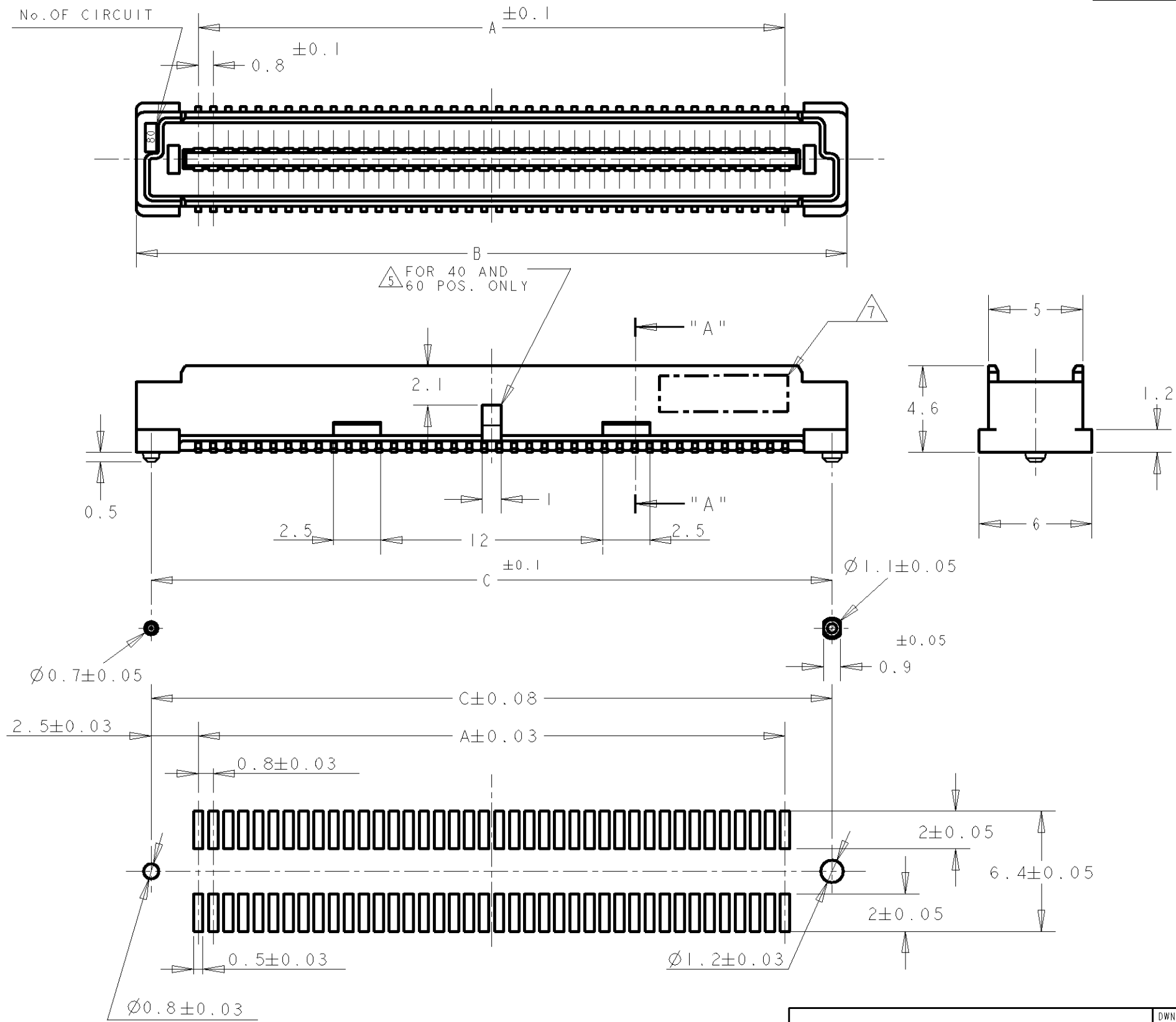
[Distributor Inventory](#)
[Product Cross Reference](#)
[Documents & Drawings](#)
[Product Compliance Support Center](#)
[Site Map](#)

Customer Support

[Email or Chat With Us](#)
[Find a Phone Number](#)
[Knowledge Base](#)
[Manage Your Account](#)

Keep Me Informed

| | | | | | |
|-----------|-----------|---------------------------|---------|-----|------|
| LOC DY | DIST - | REVISIONS | | | |
| P | LTR | DESCRIPTION | DATE | DWN | APVD |
| | A2 | REVISED PER ECO-11-005139 | 19MAR11 | RK | HMR |



- NOTES:
- 1 MATERIAL: HOUSING: L.C.P. (HIGH TEMP THERMO PLASTIC)
UL 94V-0, NATURAL.
CONTACT: BRASS.
 - 2 FINISH: UNDERPLATE: 0.0013 MIN NICKEL ALL OVER.
ENGAGEMENT AREA: 0.0002 MIN GOLD.
SOLDERING AREA: 0.002 MIN MATTE-TIN.
 - 3. POSITION SERIES: SEE TABLE.
 - 4. CONN STACK HEIGHT COMBINE OF PLUG "Y" H VS REC "X" H.
STACK HEIGHT = Y + X - 5
 - 5 CUTOUT FEATURE AVAILABLE ONLY ON P/N -1 (40P)
AND -2 (60P).
 - 6 FINISH: UNDERPLATE: 0.0013 MIN NICKEL ALL OVER.
ENGAGEMENT AREA: 0.00038 MIN GOLD.
SOLDERING AREA: 0.002 MIN MATTE-TIN.
 - 7 DATECODE MARKING.

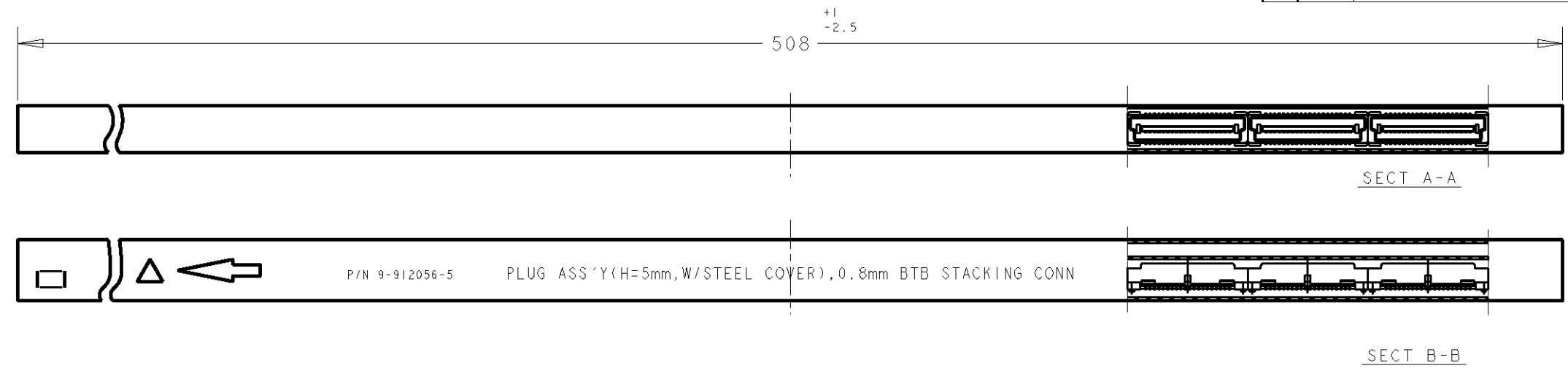
P/N SEE SHEET 2 OF 2.

RECOMMENDED P.C. BOARD LAYOUT

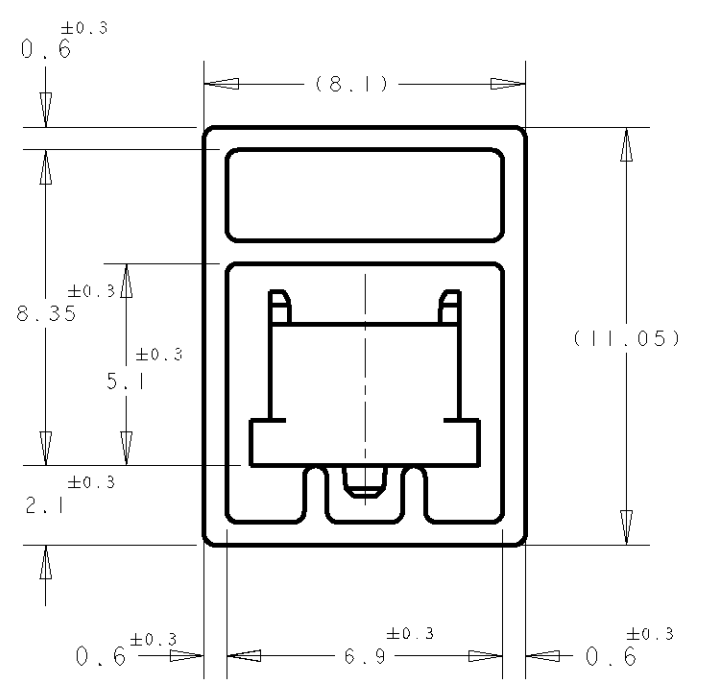
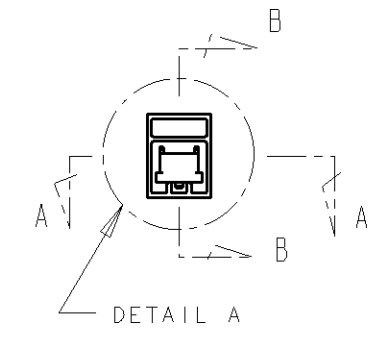
| | | | |
|--|--|--|--------------------|
| DWN 30AUG04 FLORENCE TAN | | | |
| CHK ERIC TNG | | | |
| APVD SF FONG | | NAME PLUG ASSEMBLY 5H TYPE (0.5 BOSS LENGTH) FOR FH 0.8mm PITCH B-T-B CONNECTOR | |
| PRODUCT SPEC 108-5390 | | SIZE A3 | CAGE CODE 00779 |
| APPLICATION SPEC 114-5254 | | DRAWING NO C-5177984 | |
| MATERIAL | | WEIGHT - | SCALE 4:1 |
| FINISH SEE TABLE P/N | | SHEET 1 OF 2 | |
| DIMENSIONS: mm | | REV A2 | |
| TOLERANCES UNLESS OTHERWISE SPECIFIED: | | CUSTOMER DRAWING | |
| 0 PLC ± | | | |
| 1 PLC ±0.30 | | | |
| 2 PLC ±0.25 | | | |
| 3 PLC ±0.20 | | | |
| 4 PLC ± | | | |
| ANGLES ±3° | | | |

THIS DRAWING IS UNPUBLISHED. RELEASED FOR PUBLICATION .19 .
 © COPYRIGHT - BY - ALL RIGHTS RESERVED.

| LOC | DIST | REVISIONS | | | |
|-----|------|--------------------|------|-----|------|
| P | LTR | DESCRIPTION | DATE | DWN | APVD |
| DY | - | - SEE SHEET 1 OF 2 | - | - | - |



REFERENCE PICTURE OF TUBE PACK



DETAIL A

| FINISH | QTY/TUBE | C | B | A | POS. | CONN P/N |
|--------------|--------------|------|------|------|------|-----------|
| 15Au-Sn 6 | 5 | 84.2 | 85.8 | 79.2 | 200 | 3- -0 |
| | 6 | 76.2 | 77.8 | 71.2 | 180 | 2- -9 |
| | 6 | 68.2 | 69.8 | 63.2 | 160 | 2- -8 |
| | 7 | 60.2 | 61.8 | 55.2 | 140 | 2- -6 |
| | 9 | 52.2 | 53.8 | 47.2 | 120 | 2- -5 |
| | 10 | 44.2 | 45.8 | 39.2 | 100 | 2- -4 |
| | 12 | 36.2 | 37.8 | 31.2 | 80 | 2- -3 |
| | 16 | 28.2 | 29.8 | 23.2 | 60 | 2- -2 |
| | 22 | 20.2 | 21.8 | 15.2 | 40 | 2- -1 |
| | 08Au-Sn 2 | 5 | 84.2 | 85.8 | 79.2 | 200 |
| 6 | | 76.2 | 77.8 | 71.2 | 180 | - -9 |
| 6 | | 68.2 | 69.8 | 63.2 | 160 | - -8 |
| 7 | | 60.2 | 61.8 | 55.2 | 140 | - -6 |
| 9 | | 52.2 | 53.8 | 47.2 | 120 | - -5 |
| 10 | | 44.2 | 45.8 | 39.2 | 100 | - -4 |
| 12 | | 36.2 | 37.8 | 31.2 | 80 | - -3 |
| 16 | | 28.2 | 29.8 | 23.2 | 60 | - -2 |
| 22 | | 20.2 | 21.8 | 15.2 | 40 | 5177984-1 |

| | | | | | | | |
|-------------------|--|---|--|------------------------------|--|----------------------------|--|
| DIMENSIONS: mm | | TOLERANCES UNLESS OTHERWISE SPECIFIED: | | DWN 30AUG04 FLORENCE TAN | | STE TE Connectivity | |
| | | 0 PLC ±- 1 PLC ±0.30 2 PLC ±0.25 3 PLC ±0.20 4 PLC ±- ANGLES ±3° | | CHK ERIC TNG | | | |
| MATERIAL | | FINISH SEE TABLE P/N | | APVD SF JFONG | | DRAWING NO C-5177984 | |
| | | | | PRODUCT SPEC 108-5390 | | SIZE A3 | |
| | | | | APPLICATION SPEC 114-5254 | | CAGE CODE 00779 | |
| | | | | WEIGHT - | | SCALE - SHEET 2 OF 2 | |
| | | | | CUSTOMER DRAWING | | REV A2 | |