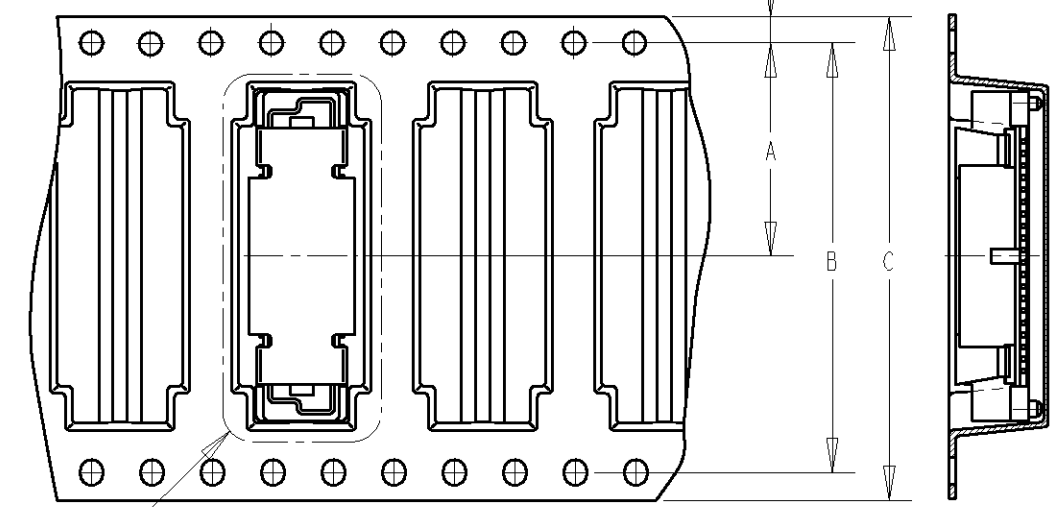


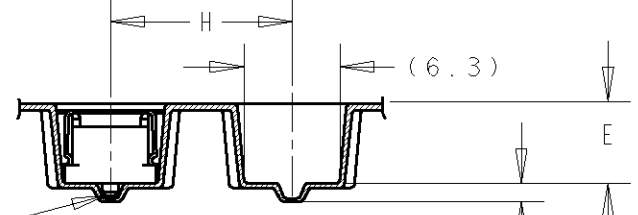
THIS DRAWING IS UNPUBLISHED. RELEASED FOR PUBLICATION .19
 BY AMP INCORPORATED. ALL RIGHTS RESERVED.

LOC	DIST	REVISIONS					
DY	-	P	LTR	DESCRIPTION	DATE	DWN	APVD
		AI	ECR-05-003475		20MAY05	YKW	LSF

DIRECTION OFF TOP OF REEL →

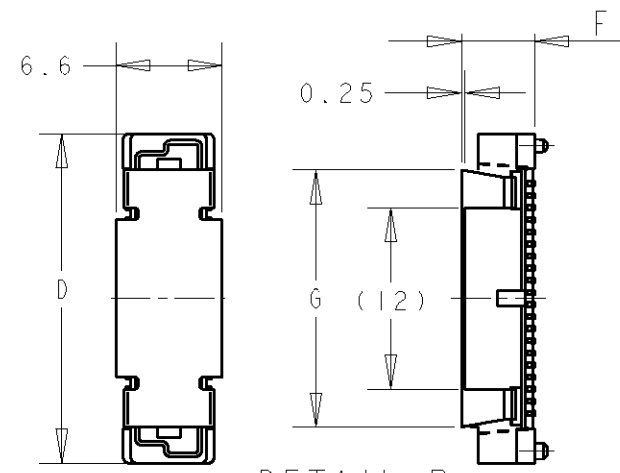
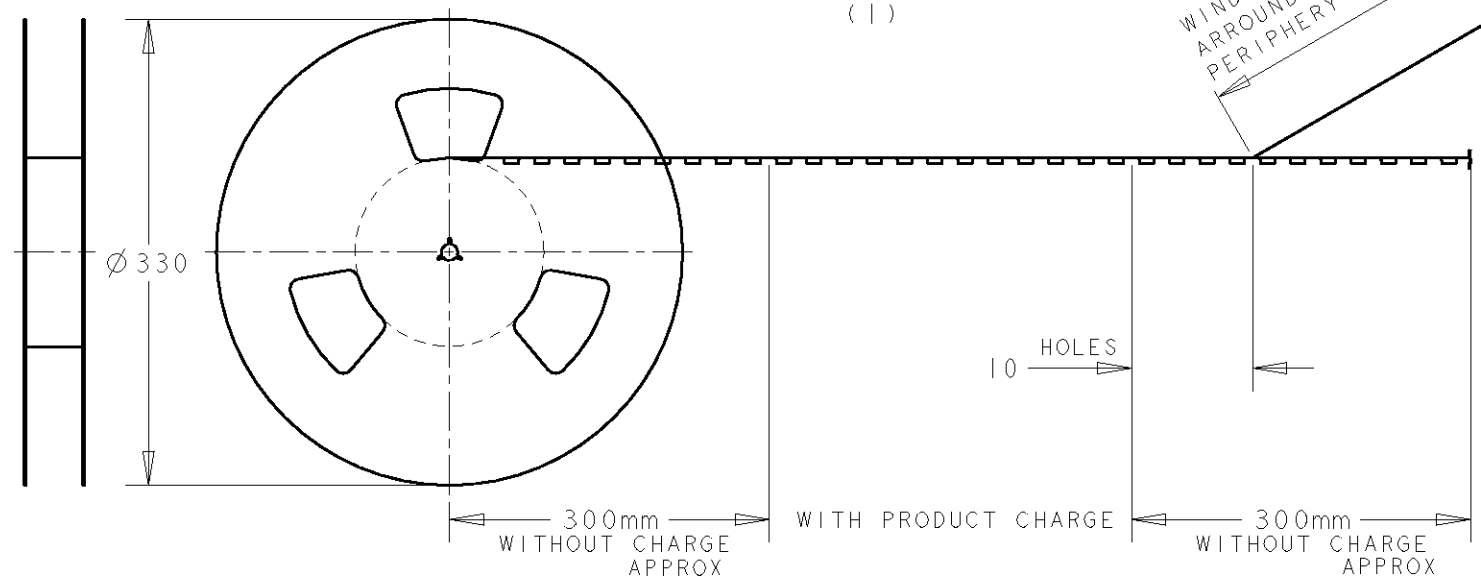


DETAIL B



LOCATION BOSS

WINDING THE COVER TAPE AROUND THE OUTER PERIPHERY IN A TURN.



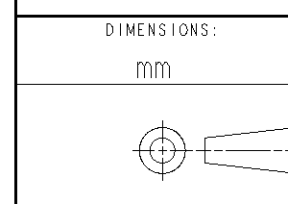
DETAIL B

NOTES:

△ 0.00076 MIN GOLD PLATING (30u INCHES GOLD PLATING)

REMARKS	TOOLING STATUS	QTY	HEIGHT TYPE	H	G	F	E	D	C	B	A	POS	CONN	P/N	PART NO.			
AVAILABLE									61.8	88	84.4	42.2	140	1-	-6	7-	-6	
		450							53.8				120	1-	-5	7-	-5	
			16						45.8	72	68.4	34.2	100	1-	-4	7-	-4	
									37.8	56	52.4	26.2	80	1-	-3	7-	-3	
									29.8	44	40.4	20.2	60	1-	-2	7-	-2	
		700	7H	12					6.85	7.25	21.8	32	28.4	14.2	40	1-5179030-1	7-5177986-1	
AVAILABLE									5.85	6.25	61.8	88	84.4	42.2	140	5084615-6	6-	-6
		550							5.85	6.25	53.8	72	68.4	34.2	120	5084615-5	6-	-5
			16						5.85	6.25	45.8	72	68.4	34.2	100	5084615-4	6-	-4
		800	6H	12					5.85	6.25	37.8	56	52.4	26.2	80	5084615-3	6-5177986-3	
AVAILABLE									69.8				160		-8	5-	-8	
		650							61.8	88	84.4	42.2	140		-6	5-	-6	
			16						53.8				120		-5	5-	-5	
									45.8	72	68.4	34.2	100		-4	5-	-4	
									37.8	56	52.4	26.2	80		-3	5-	-3	
									29.8	44	40.4	20.2	60		-2	5-	-2	
		900	5H	12					4.85	5.25	21.8	32	28.4	14.2	40	5084614-1	5-5177986-1	
AVAILABLE		450	7H	16					6.85	7.25	37.8	56	52.4	26.2	80	5179030-3	4-5177986-3	
									86.1	104	100.4	50.2	200	1-	-0	4-	-0	
									77.8	104	100.4	50.2	180		-9	3-	-9	
									69.8				160		-8	3-	-8	
									61.8	88	84.4	42.2	140		-6	3-	-6	
									53.8				120		-5	3-	-5	
		400		16					45.8	72	68.4	34.2	100		-4	3-	-4	
									37.8	56	52.4	26.2	80		-3	3-	-3	
									29.8	44	40.4	20.2	60		-2	3-	-2	
		600	8H	12					7.85	8.25	21.8	32	28.4	14.2	40	5179031-1	3-5177986-1	
AVAILABLE									61.8	88	84.4	42.2	140		-6	2-	-6	
		450		16					53.8				120		-5	2-	-5	
									45.8	72	68.4	34.2	100		-4	2-	-4	
									37.8	56	52.4	26.2	80		-3	2-	-3	
									29.8	44	40.4	20.2	60		-2	2-	-2	
		700	7H	12					6.85	7.25	21.8	32	28.4	14.2	40	5179030-1	2-5177986-1	
AVAILABLE									61.8	88	84.4	42.2	140		-6	1-	-6	
		550		16					53.8				120		-5	1-	-5	
									45.8	72	68.4	34.2	100		-4	1-	-4	
									37.8	56	52.4	26.2	80		-3	1-	-3	
									29.8	44	40.4	20.2	60		-2	1-	-2	
		800	6H	12					5.85	6.25	21.8	32	28.4	14.2	40	5179029-1	1-5177986-1	
AVAILABLE									69.8				160		-8		-8	
		650		16					61.8	88	84.4	42.2	140		-6		-6	
									53.8				120		-5		-5	
									45.8	72	68.4	34.2	100		-4		-4	
									37.8	56	52.4	26.2	80		-3		-3	
									29.8	44	40.4	20.2	60		-2		-2	
		900	5H	12	17	4.85	5.25	21.8	32	28.4	14.2	40				5177984-1	5177986-1	

THIS DRAWING IS A CONTROLLED DOCUMENT FOR AMP INCORPORATED. IT IS SUBJECT TO CHANGE AND THE CONTROLLING ENGINEERING ORGANIZATION SHOULD BE CONTACTED FOR THE LATEST REVISION.



MATERIAL - FINISH -

DIMENSIONS:	TOLERANCES UNLESS OTHERWISE SPECIFIED:
mm	
0 PLC	±
1 PLC	±0.3
2 PLC	±0.25
3 PLC	±0.2
4 PLC	±
ANGLES	±3°

DWN 30AUG04
 FLORENCE TAN
 CHK ERIC TNG
 APVD SF LEONG
 PRODUCT SPEC 108-5390
 APPLICATION SPEC 114-5254
 WEIGHT -

tyco Electronics Tyco Electronics (Singapore) Pte. Ltd.

NAME: PLUG ASSEMBLY (0.5 BOSS LENGTH) FOR FH 0.8 B-T-B CONN. ON TAPING

SIZE: A3 CAGE CODE: 00779 DRAWING NO: C-5177986

CUSTOMER DRAWING SCALE 2:1 SHEET 1 OF 1 REV AI