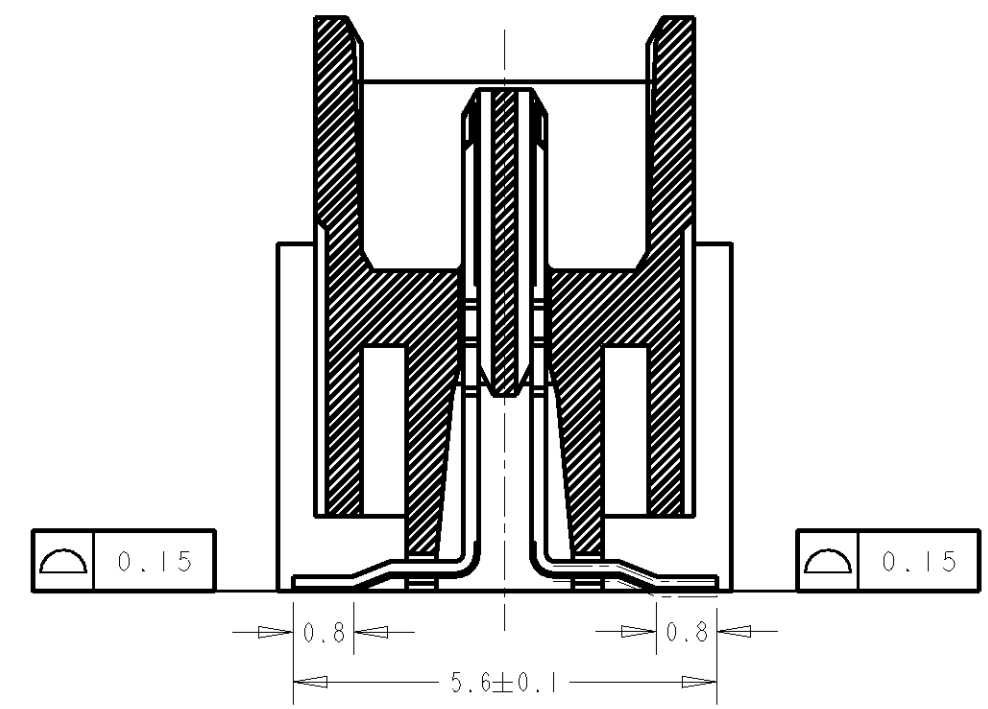
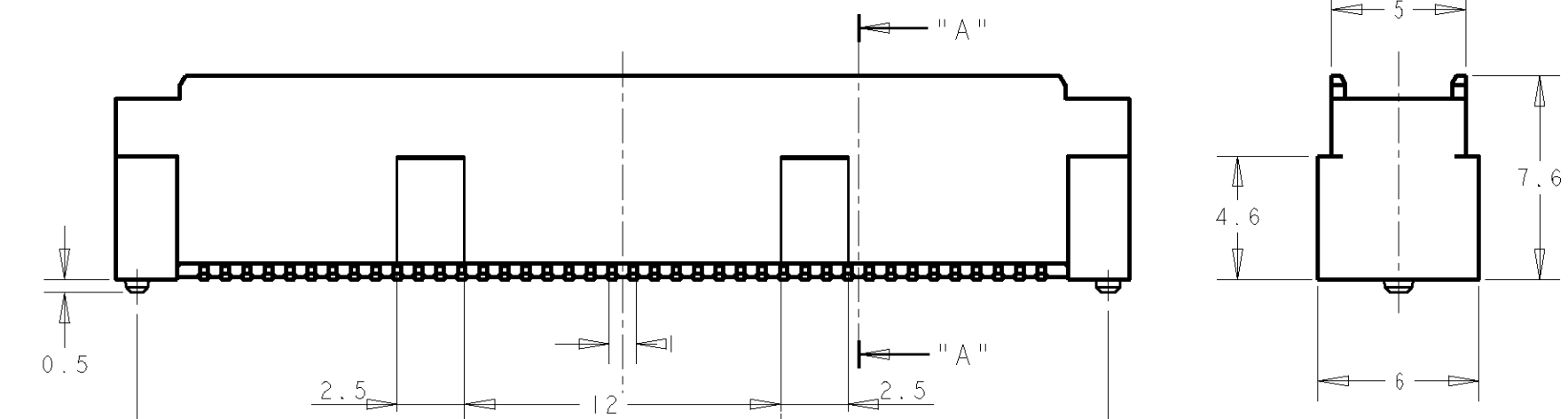
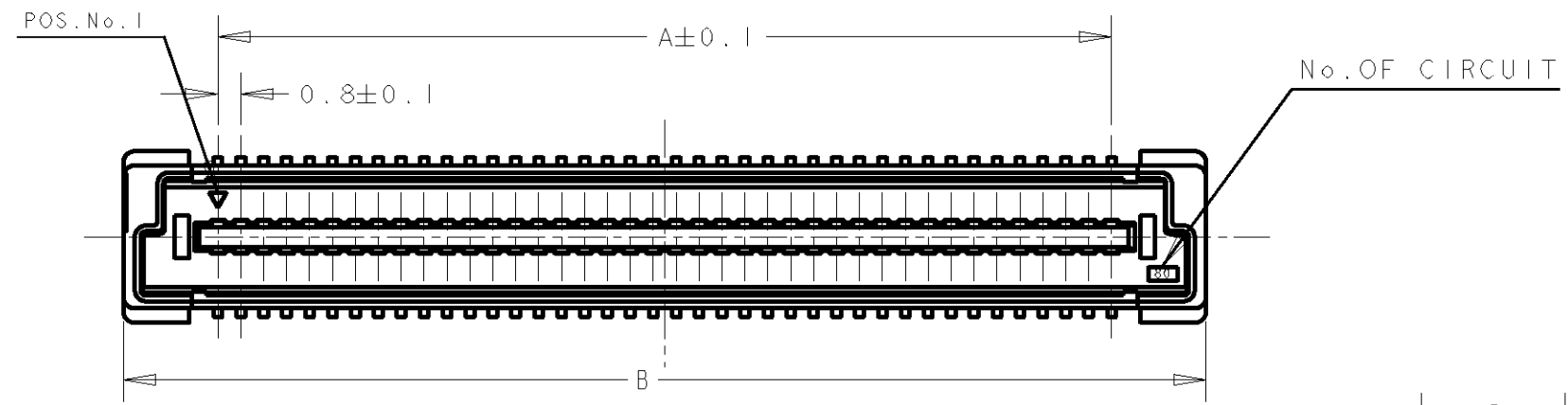
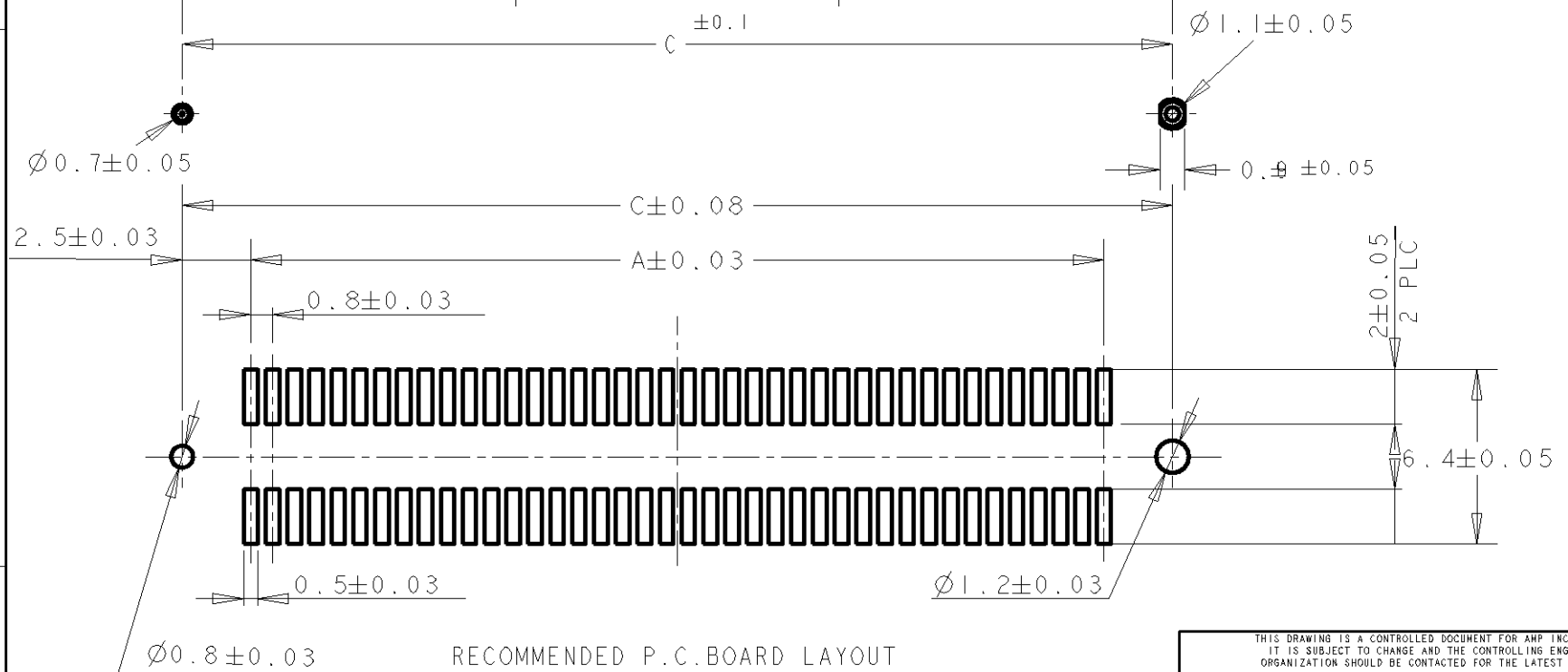


THIS DRAWING IS UNPUBLISHED. RELEASED FOR PUBLICATION .19 .  
 © COPYRIGHT 19 BY AMP INCORPORATED. ALL RIGHTS RESERVED.

LOC	DIST	REVISIONS					
		P	LTR	DESCRIPTION	DATE	DWN	APVD
DY	-	0		NPR FP 00-0213-04	28JUL04	FTAN	LSF



- NOTES:
- △ MATERIAL; HOUSING: L.C.P. (HIGH TEMP THERMO PLASTIC) UL 94V-0, NATURAL.  
CONTACT: BRASS.
  - △ FINISH; CONTACT AREA: 0.0002 MIN GOLD ON  
0.0013 MIN ALL OVER NICKEL.  
SOLDERING AREA: 0.001 MIN MATTE-TIN
  - 3. POSITION SERIES; SEE TABLE.
  - 4. CONN STACK HEIGHT COMBINE OF PLUG "Y" H VS REC "X" H.  
STACK HEIGHT = Y + X - 5

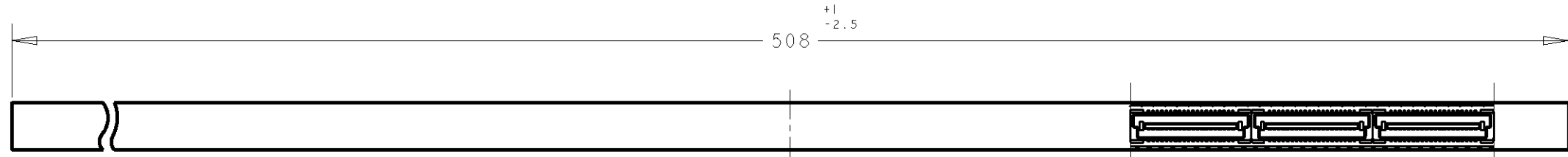


RECOMMENDED P.C. BOARD LAYOUT

THIS DRAWING IS A CONTROLLED DOCUMENT FOR AMP INCORPORATED. IT IS SUBJECT TO CHANGE AND THE CONTROLLING ENGINEERING ORGANIZATION SHOULD BE CONTACTED FOR THE LATEST REVISION.		DWN 28JUL04 FLORENCE TAN	<b>tyco</b> Electronics	Tyco Electronics Singapore Pte. Ltd.	
DIMENSIONS: mm		CHK ERIC TNG		NAME PLUG ASSEMBLY 8H TYPE (0.5 BOSS LENGTH) FOR FH 0.8MM PITCH B-T-B CONNECTOR	
TOLERANCES UNLESS OTHERWISE SPECIFIED: 0 PLC ±0.2 1 PLC ±0.25 2 PLC ±0.3 3 PLC ±0.3 4 PLC ±0.3 ANGLES ±3°		APVD SEIFONG	DRAWING NO A3 00779 C-5179031		
MATERIAL △		PRODUCT SPEC -	SCALE 4:1		SHEET 1 OF 2
FINISH △		APPLICATION SPEC -	REV 0		
CUSTOMER DRAWING		WEIGHT -			

THIS DRAWING IS UNPUBLISHED. RELEASED FOR PUBLICATION .19 .  
 © COPYRIGHT 19 BY AMP INCORPORATED. ALL RIGHTS RESERVED.

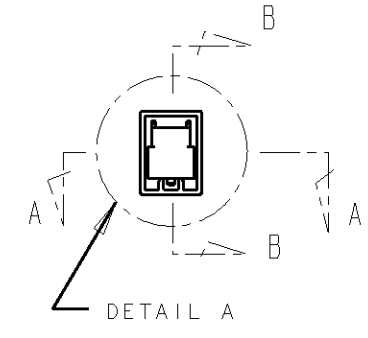
LOC	DIST	REVISIONS			
P	LTR	DESCRIPTION	DATE	DWN	APVD
DY	-	0 NPR FP00-0213-04	-	FTAN	LSF



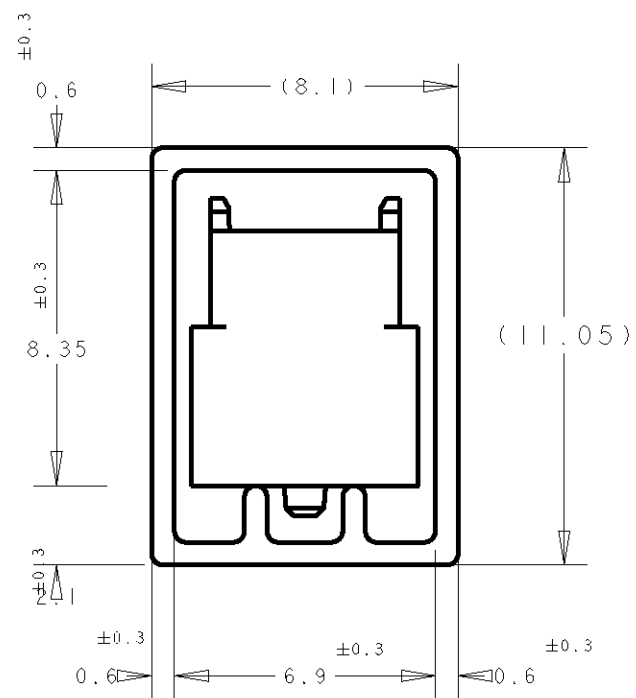
SECT A-A



SECT B-B



REFERENCE PICTURE OF TUBE PACK



DETAIL "B"  
(SCALE 5-1)

14	32.2	33.8	27.2	70	1-	-1
5	84.2	85.8	79.2	200	1-	-0
6	76.2	77.8	71.2	180		-9
6	68.2	69.8	63.2	160		-8
7	60.2	61.8	55.2	140		-6
9	52.2	53.8	47.2	120		-5
10	44.2	45.8	39.2	100		-4
12	36.2	37.8	31.2	80		-3
16	28.2	29.8	23.2	60		-2
22	20.2	21.8	15.2	40		5179031-1
QTY/TUBE	C	B	A	POS.	CONN P/N	

THIS DRAWING IS A CONTROLLED DOCUMENT FOR AMP INCORPORATED. IT IS SUBJECT TO CHANGE AND THE CONTROLLING ENGINEERING ORGANIZATION SHOULD BE CONTACTED FOR THE LATEST REVISION.		DWN FLORENCE 28JUL04	<b>tyco</b> Tyco Electronics Singapore Pte. Ltd.		
DIMENSIONS: mm		CHK ERIC TNG	NAME PLUG ASSEMBLY 8H TYPE (0.5 BOSS LENGTH) FOR FH 0.8MM PITCH B-T-B CONNECTOR		
TOLERANCES UNLESS OTHERWISE SPECIFIED: 0 PLC ± 1 PLC ±0.2 2 PLC ±0.25 3 PLC ±0.3 4 PLC ± ANGLES ±3°		APVD SEIFONG	DRAWING NO A3 00779 C-5179031		
MATERIAL		PRODUCT SPEC -	CAGE CODE 00779		
FINISH		APPLICATION SPEC -	DRAWING NO C-5179031		
MATERIAL		WEIGHT -	SCALE 4:1 SHEET 2 OF 2 REV 0		
MATERIAL		CUSTOMER DRAWING			