

Distributed by:

JAMECO[®]
ELECTRONICS

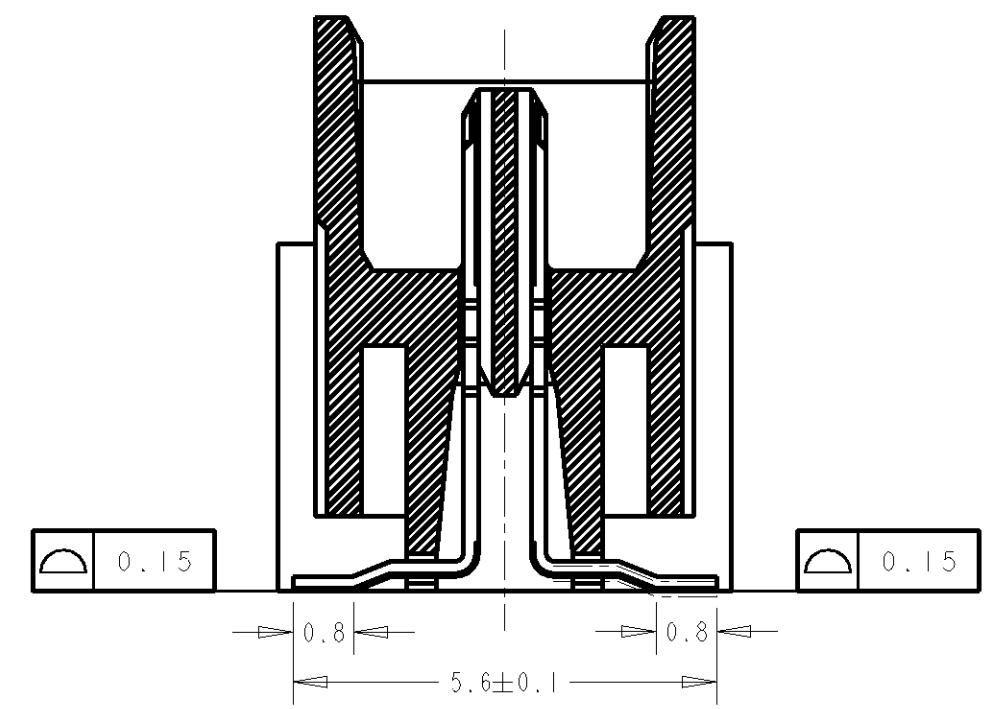
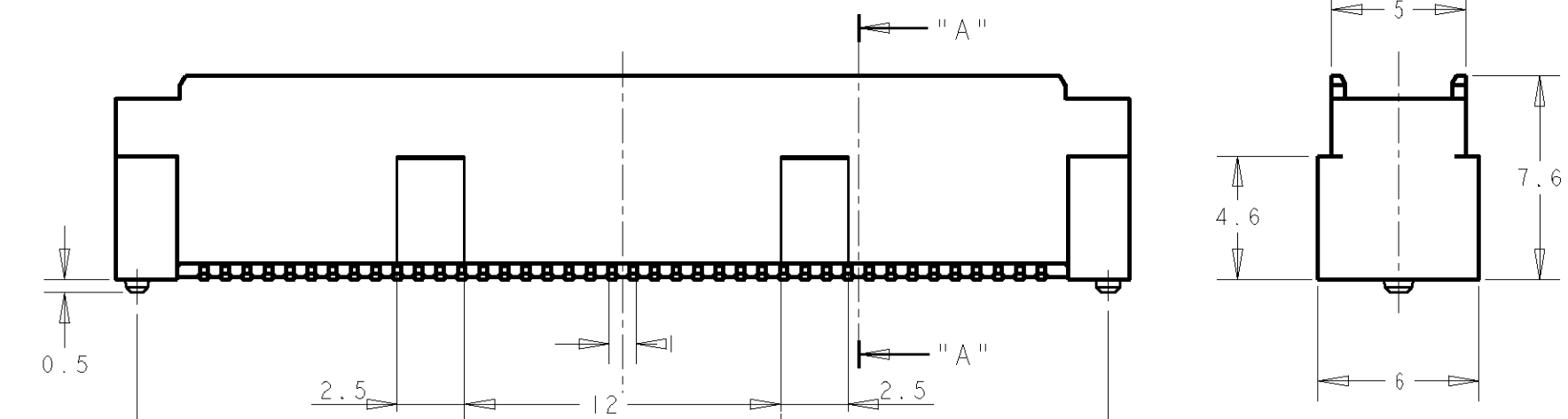
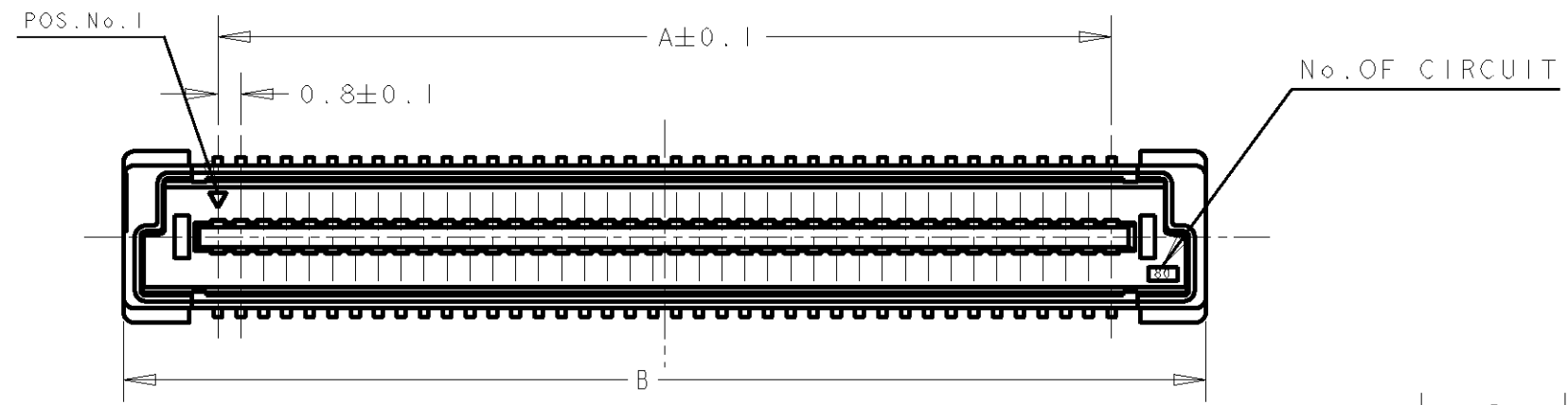
www.Jameco.com ♦ 1-800-831-4242

The content and copyrights of the attached
material are the property of its owner.

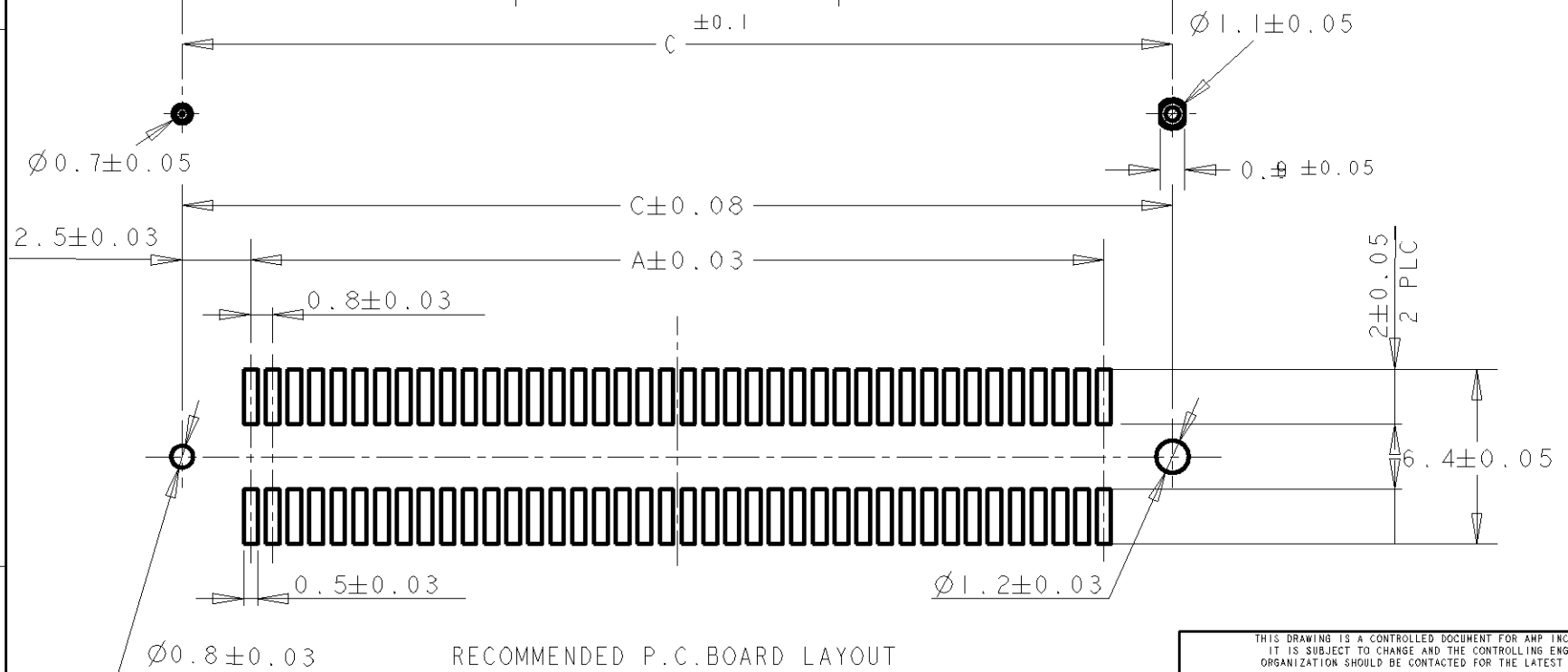
Jameco Part Number 1973218

THIS DRAWING IS UNPUBLISHED. RELEASED FOR PUBLICATION .19 .
 © COPYRIGHT 19 BY AMP INCORPORATED. ALL RIGHTS RESERVED.

LOC	DIST	REVISIONS					
		P	LTR	DESCRIPTION	DATE	DWN	APVD
DY	-	0		NPR FP 00-0213-04	28JUL04	FTAN	LSF



- NOTES:
- △ MATERIAL; HOUSING: L.C.P (HIGH TEMP THERMO PLASTIC) UL 94V-0, NATURAL.
CONTACT: BRASS.
 - △ FINISH; CONTACT AREA: 0.0002 MIN GOLD ON
0.0013 MIN ALL OVER NICKEL.
SOLDERING AREA: 0.001 MIN MATTE-TIN
 - 3. POSITION SERIES; SEE TABLE.
 - 4. CONN STACK HEIGHT COMBINE OF PLUG "Y" H VS REC "X" H.
STACK HEIGHT = Y + X - 5

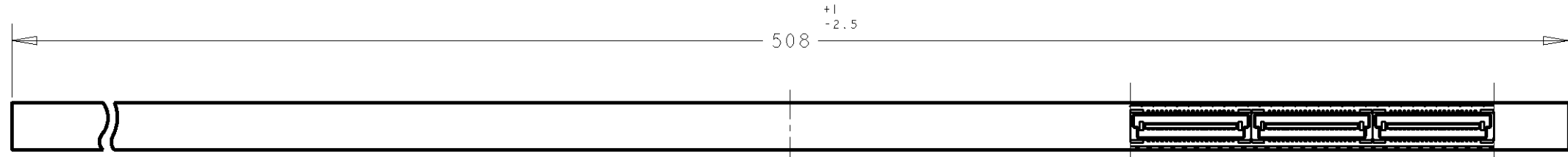


RECOMMENDED P.C. BOARD LAYOUT

THIS DRAWING IS A CONTROLLED DOCUMENT FOR AMP INCORPORATED. IT IS SUBJECT TO CHANGE AND THE CONTROLLING ENGINEERING ORGANIZATION SHOULD BE CONTACTED FOR THE LATEST REVISION.		DWN 28JUL04 FLORENCE TAN	tyco Electronics	Tyco Electronics Singapore Pte. Ltd.	
DIMENSIONS: mm		CHK ERIC TNG		NAME PLUG ASSEMBLY 8H TYPE (0.5 BOSS LENGTH) FOR FH 0.8MM PITCH B-T-B CONNECTOR	
TOLERANCES UNLESS OTHERWISE SPECIFIED: 0 PLC ±0.2 1 PLC ±0.25 2 PLC ±0.3 3 PLC ±0.3 4 PLC ±0.3 ANGLES ±3°		APVD SEI FONG	DRAWING NO A3 00779 ©-5179031		
MATERIAL △		PRODUCT SPEC -	SCALE 4:1		SHEET 1 OF 2
FINISH △		APPLICATION SPEC -	REV 0		
CUSTOMER DRAWING		WEIGHT -			

THIS DRAWING IS UNPUBLISHED. RELEASED FOR PUBLICATION .19 .
 © COPYRIGHT 19 BY AMP INCORPORATED. ALL RIGHTS RESERVED.

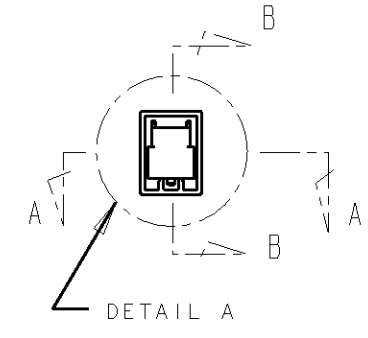
LOC	DIST	REVISIONS			
P	LTR	DESCRIPTION	DATE	DWN	APVD
DY	-	0 NPR FP00-0213-04	-	FTAN	LSF



SECT A-A



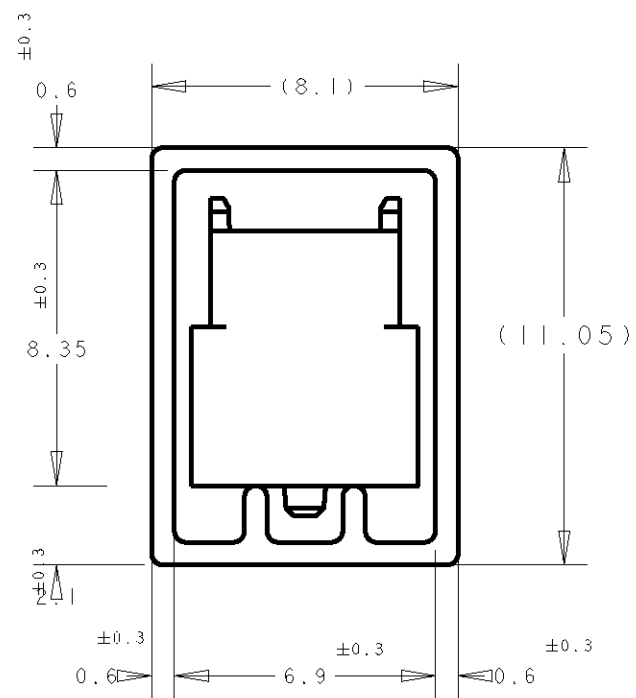
SECT B-B



DETAIL A

P/N 9-912056-4 PLUG ASS'Y (H=5mm, W/STEEL COVER), 0.8mm BTB STACKING CONN

REFERENCE PICTURE OF TUBE PACK



DETAIL "B" (SCALE 5-1)

14	32.2	33.8	27.2	70	1-	-1
5	84.2	85.8	79.2	200	1-	-0
6	76.2	77.8	71.2	180		-9
6	68.2	69.8	63.2	160		-8
7	60.2	61.8	55.2	140		-6
9	52.2	53.8	47.2	120		-5
10	44.2	45.8	39.2	100		-4
12	36.2	37.8	31.2	80		-3
16	28.2	29.8	23.2	60		-2
22	20.2	21.8	15.2	40		5179031-1
QTY/TUBE	C	B	A	POS.	CONN P/N	

THIS DRAWING IS A CONTROLLED DOCUMENT FOR AMP INCORPORATED. IT IS SUBJECT TO CHANGE AND THE CONTROLLING ENGINEERING ORGANIZATION SHOULD BE CONTACTED FOR THE LATEST REVISION.		DWN FLORENCE 28JUL04	Tyco Electronics Singapore Pte. Ltd.		
DIMENSIONS: mm		CHK ERIC TNG	NAME PLUG ASSEMBLY 8H TYPE (0.5 BOSS LENGTH) FOR FH 0.8MM PITCH B-T-B CONNECTOR		
TOLERANCES UNLESS OTHERWISE SPECIFIED:		APVD SEIFONG	PRODUCT SPEC		
0 PLC ±- 1 PLC ±0.2 2 PLC ±0.25 3 PLC ±0.3 4 PLC ±- ANGLES ±3°		PRODUCT SPEC	APPLICATION SPEC		
MATERIAL	FINISH	WEIGHT	SIZE A3	CAGE CODE 00779	DRAWING NO 5179031
CUSTOMER DRAWING		SCALE 4:1		SHEET 2 OF 2	REV 0

