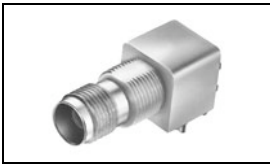


5-1814807-1 Product Details

[Share](#) [Print](#) [Email](#)



5-1814807-1

TE Internal Number: 5-1814807-1

Active

[View 3D PDF](#)

TNC RF Connectors

Always EU RoHS/ELV Compliant (Statement of Compliance)

Product Highlights:

- Connector - RF
- Jack
- Applies To Printed Circuit Board
- Body Style = Right Angle
- Connector Impedance = 50 Ω

[View all Features](#)

Quick Links

- [Pricing & Availability](#)
- [Search for Tooling](#)
- [Product Feature Selector](#)
- [Contact Us About This Product](#)

[Add to My Part List](#) [Request Sample](#) [Find Similar Products](#) [Buy Product](#)

Documentation & Additional Information

Product Drawings:

- [TNC R/A INSULATED PCB SOCKET 50 & 75 OHM \(PDF, English\)](#)

Catalog Pages/Data Sheets:

- None Available

Product Specifications:

- None Available

Application Specifications:

- None Available

Instruction Sheets:

- None Available

CAD Files: [\(CAD Format & Compression Information\)](#)

- [2D Drawing \(DXF, Version C\)](#)
- [3D Model \(IGES, Version C\)](#)
- [3D Model \(STEP, Version C\)](#)

[List all Documents](#)

Related Products:

- [Tooling](#)

Product Features (Please use the Product Drawing for all design activity)

Product Type Features:

- [Product Type](#) = Connector - RF
- [Gender](#) = Jack
- [PCB Mounting Orientation](#) = Right Angle
- [PCB Mount Retention](#) = With
- [Mounting Posts](#) = With
- [Color](#) = White

Mechanical Attachment:

- [Panel Mount Retention](#) = With
- [Panel Mount Retention Type](#) = Lockwasher and Nut

Electrical Characteristics:

- [Connector Impedance \(\$\Omega\$ \)](#) = 50

Dimensions:

- [Panel Thickness \(mm \[in\]\)](#) = 5.50 [0.217]

Body Features:

- [Body Style](#) = Right Angle
- [Body Material](#) = Diecast Zinc, Polyester
- [Body Plating](#) = Nickel

Contact Features:

- [Center Contact Plating](#) = Gold

Configuration Features:

- [Solder Terminal](#) = With

Industry Standards:

- [Government/Industry Qualification](#) = No
- [RoHS/ELV Compliance](#) = RoHS compliant, ELV compliant
- [Lead Free Solder Processes](#) = Wave solder capable to 240°C, Wave solder capable to 260°C, Wave solder capable to 265°C
- [RoHS/ELV Compliance History](#) = Always was RoHS compliant

Conditions for Usage:

- [Applies To](#) = Printed Circuit Board

Packaging Features:

- [Packaging Method](#) = Individual

Other:

- [Brand](#) = TE Connectivity

Corporate Information

- [About TE](#)
- [Investors](#)
- [News Room](#)
- [Supplier Portal](#)

Quick Links

- [Distributor Inventory](#)
- [Product Cross Reference](#)
- [Documents & Drawings](#)
- [Product Compliance Support Center](#)

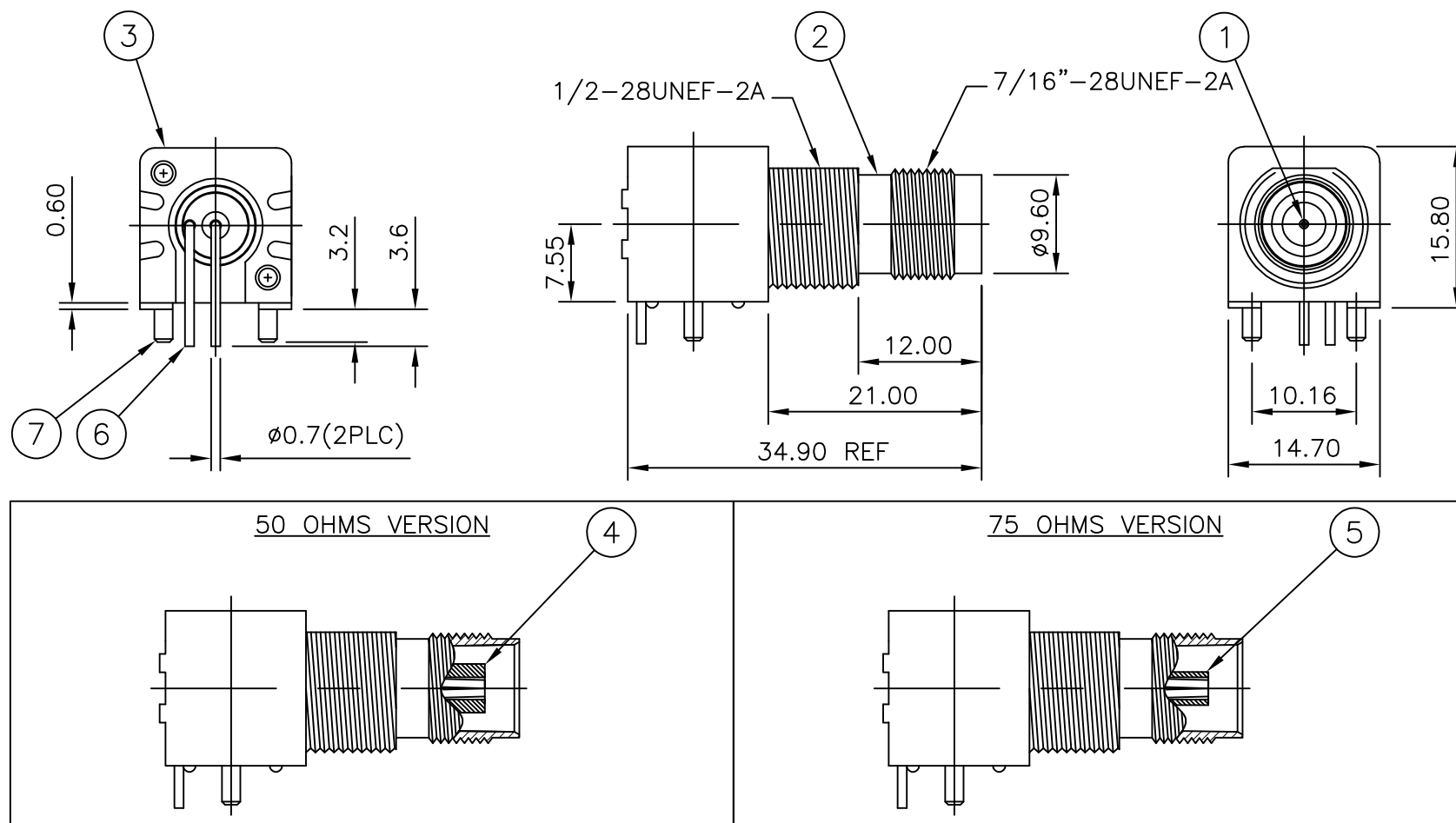
Customer Support

- [Email or Chat With Us](#)
- [Find a Phone Number](#)
- [Knowledge Base](#)
- [Manage Your Account](#)

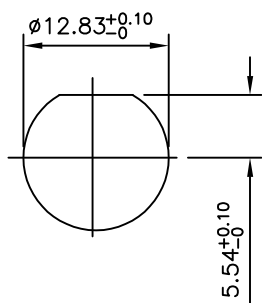
LOC	DIST	REVISIONS					
		P	LTR	DESCRIPTION	DATE	DWN	APVD
E	B		C1	REVISED PER ECO-11-005033	01APR11	RK	HMR
			D	REVISED PER ECO-12-009395	17MAY12	TITAN	MARTIN

NOTES:

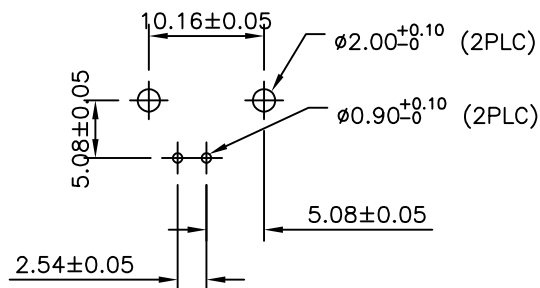
- 1 SINGLE PACK IN ACCORDANCE WITH AMP SPEC 107-3275
- 2 50 TRAY PACK IN ACCORDANCE WITH AMP SPEC 107-3275
- 3 Au PLATING
- 4 Ni PLATING
- 5 RECOMMENDED MOUNT NUT 1-1634816-0
- 6 RECOMMENDED LOCKWASHER 1-1634817-0
- 7 FOR TECHNICAL DATA REFER TO YOUR LOCAL TE CONNECTIVITY SALES OFFICE
- 8 ALL DIMENSIONS ARE NOMINAL FOR REFERENCE ONLY UNLESS OTHERWISE STATED



RECOMMENDED MOUNTING HOLE
MAX PANEL THICKNESS: 5.5mm



RECOMMENDED PCB LAYOUT
WITHOUT MOUNTING POSTS



	Obsolete	Obsolete	Obsolete								
	2	2	2	2	BRASS	1	1	1	1	MOUNTING POST	7
	1	1	1	1	BRASS	1	1	1	1	SOLDER TAIL	6
	1	1	-	-	PE-606					INSULATOR	5
	-	-	1	1	PE-606					INSULATOR	4
	1	1	1	1	POLYESTER WHITE					BODY	3
	1	1	1	1	ZINC ALLOY	1	1	1	1	BODY	2
	1	1	1	1	PHOS BRONZE	1	1	1	1	CONTACT	1
	5--3	5--2	5--1	5--0	MATERIAL					DESCRIPTION	ITEM
	1	2	1	2							
QUANTITY PER ASSY					PARTS LIST						

THIS DRAWING IS A CONTROLLED DOCUMENT.		DWN RITA ZUO 11 Mar 09	STE TE Connectivity	
DIMENSIONS: mm		CHK ANSON MA 11 Mar 09		
TOLERANCES UNLESS OTHERWISE SPECIFIED:		APVD BOB ZHAO 11 Mar 09	NAME	
0 PLC ± -		PRODUCT SPEC	TNC R/A INSULATED PCB SOCKET	
1 PLC ± -		108-112000	50 & 75 OHM	
2 PLC ± -		APPLICATION SPEC		
3 PLC ± -			SIZE	CAGE CODE
4 PLC ± -			A3	00779
ANGLES ± -			DRAWING NO	C-1814807
FINISH			RESTRICTED TO	
MATERIAL SEE TABLE	FINISH SEE TABLE	WEIGHT -	SCALE NTS	SHEET 1 OF 1
CUSTOMER DRAWING		REV D		