

5-1814822-7 Product Details

[Share](#) [Print](#) [Email](#)



5-1814822-7

TE Internal Number: 5-1814822-7

Active

F Series and G Series RF Connectors

Always EU RoHS/ELV Compliant (Statement of Compliance)

Product Highlights:

- Connector - RF
- RF Connector Type = F Series
- Type of Connector = F Series
- Plug
- Applies To Coaxial Cable

[View all Features](#)

Quick Links

- ▶ [Pricing & Availability](#)
- ▶ [Search for Tooling](#)
- ▶ [Product Feature Selector](#)
- ▶ [Contact Us About This Product](#)

[Add to My Part List](#) [Request Sample](#) [Find Similar Products](#) [Buy Product](#)

Documentation & Additional Information

Product Drawings:

- [F TYPE STR PLG T/O \(PDF, English\)](#)

Catalog Pages/Data Sheets:

- None Available

Product Specifications:

- None Available

Application Specifications:

- None Available

Instruction Sheets:

- None Available

CAD Files:

- None Available

Related Products:

- [Tooling](#)

[List all Documents](#)

Product Features (Please use the Product Drawing for all design activity)

Product Type Features:

- Product Type = Connector - RF
- RF Connector Type = F Series
- Type of Connector = F Series
- Gender = Plug
- Sealed = No

Termination Features:

- Coaxial Cable Termination Type = Twist-on

Body Features:

- Body Material = Brass
- Body Plating = Nickel
- Ferrule Length = Long

Configuration Features:

- Coaxial Cable Type (RG/U or Mfg.) = CT125

Industry Standards:

- [RoHS/ELV Compliance](#) = RoHS compliant, ELV compliant
- [Lead Free Solder Processes](#) = Not relevant for lead free process
- RoHS/ELV Compliance History = Always was RoHS compliant

Conditions for Usage:

- Applies To = Coaxial Cable

Other:

- Brand = TE Connectivity

Corporate Information

- [About TE](#)
- [Investors](#)
- [News Room](#)
- [Supplier Portal](#)
- [Careers](#)
- [Terms & Conditions](#)
- [Privacy Policy](#)

Quick Links

- [Distributor Inventory](#)
- [Product Cross Reference](#)
- [Documents & Drawings](#)
- [Product Compliance Support Center](#)
- [Site Map](#)

Customer Support

- [Email or Chat With Us](#)
- [Find a Phone Number](#)
- [Knowledge Base](#)
- [Manage Your Account](#)

Keep Me Informed



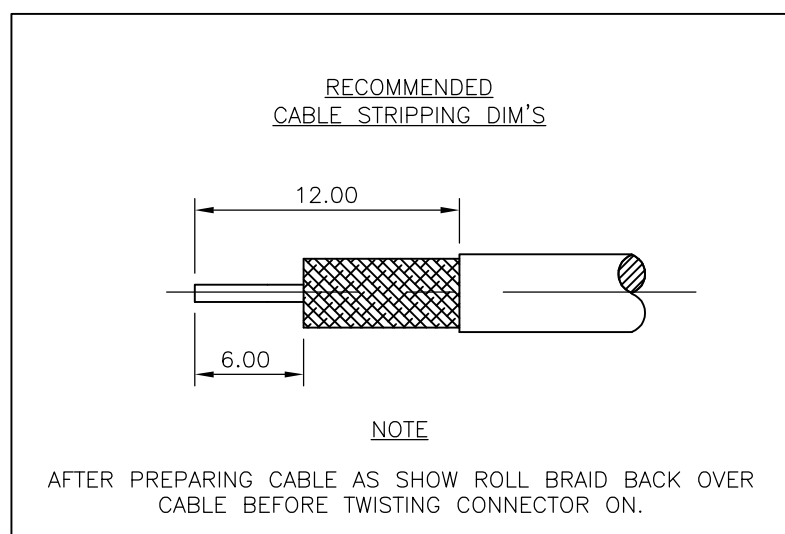
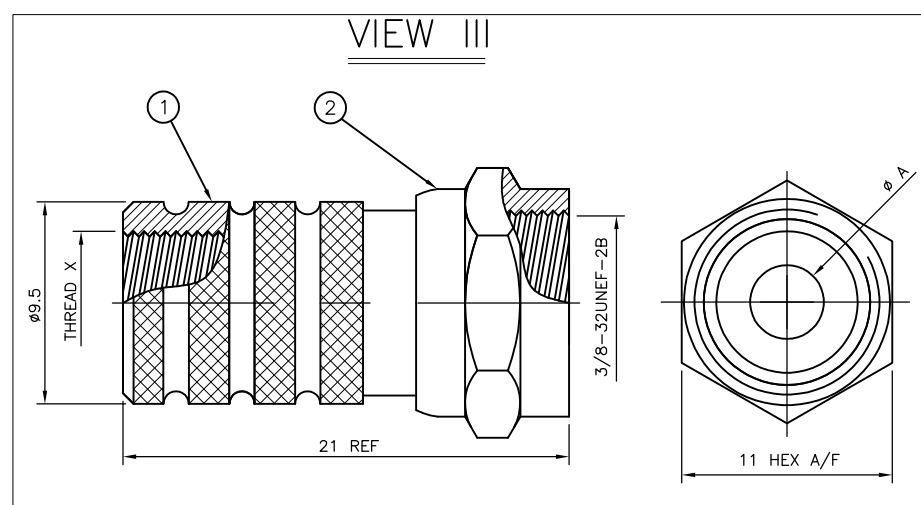
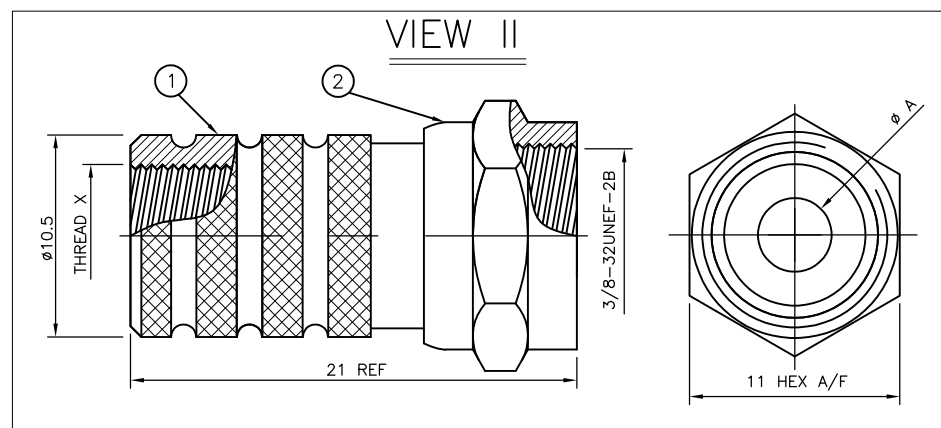
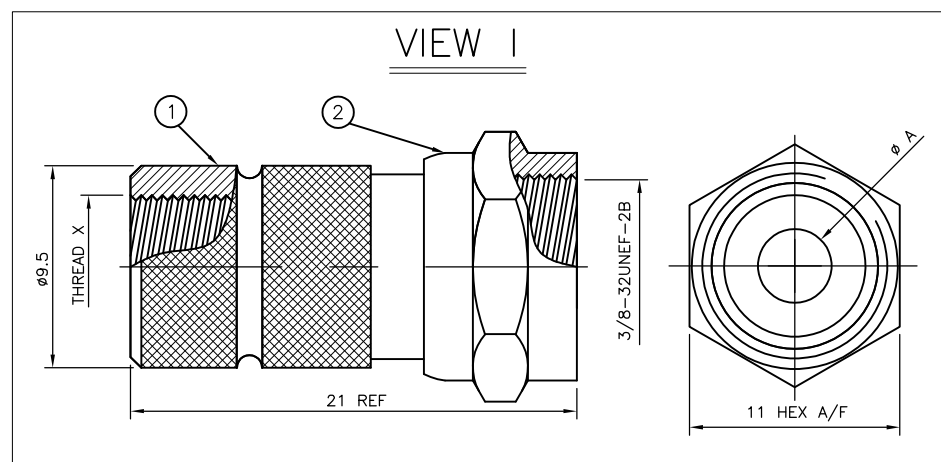
THIS DRAWING IS UNPUBLISHED. RELEASED FOR PUBLICATION NOV ,2006.

© COPYRIGHT 2006 By - ALL RIGHTS RESERVED.

LOC	DIST	REVISIONS			
P	LTR	DESCRIPTION	DATE	DWN	APVD
E	B	B1	REVISED PER ECO-11-005033	31MAR11	RK HMR
		B2	REVISED PER ECO-11-021281	28OCT11	TITAN MARTIN
		C	REVISED PER ECR-12-013598	16JAN2013	GG MY

- NOTES
- 1 SINGLE PACK IN ACCORDANCE WITH AMP SPEC 107-3275
 - 2 100 TRAY PACK IN ACCORDANCE WITH AMP SPEC 107-3275
 - 3 Ni PLATING
 4. FOR TECHNICAL DATA REFER TO YOUR LOCAL TE CONNECTIVITY SALES OFFICE
 5. ALL DIMENSIONS ARE NOMINAL FOR REFERENCE ONLY UNLESS OTHERWISE STATED

	THREAD X	A	CABLE GROUPS	PART NO.
	M8	5.60	CT125	5-1814822-7
OBSOLETE	M8	5.60	CT125	5-1814822-6
	M7	4.90	CT100	5-1814822-5
OBSOLETE	M7	4.90	CT100	5-1814822-4
	M9	4.90	RG6/U	5-1814822-3
OBSOLETE	M9	4.90	RG6/U	5-1814822-2
	1/4-20UNC-2B	3.90	RG59B/U, 62A/U, 140/U, 210/U, URM90, Belden 9291, 9291, KX6A, KX25, KX52, KX53	5-1814822-1
OBSOLETE	1/4-20UNC-2B	3.90	RG59B/U, 62A/U, 140/U, 210/U, URM90, Belden 9291, 9291, KX6A, KX25, KX52, KX53	5-1814822-0
DIMENSIONS				



	VIEW III		VIEW II		VIEW I					
	OBSOLETE	OBSOLETE	OBSOLETE	OBSOLETE	OBSOLETE	OBSOLETE				
1	1	1	1	1	1	1	ZINC ALLOY	⚠	COUPLING NUT	2
1	1	1	1	1	1	1	BRASS	⚠	BODY	1
5	75	65	55	45	35	25	MATERIAL		DESCRIPTION	ITEM
	⚠	⚠	⚠	⚠	⚠	⚠				
QUANTITY PER ASSY							PARTS LIST			

THIS DRAWING IS A CONTROLLED DOCUMENT.

DWN ANSON MA 14FEB09
CHK RITA ZUO 14FEB09
APVD BOB ZHAO 14FEB09

PRODUCT SPEC 108-112000
APPLICATION SPEC

STE TE Connectivity
F TYPE STR PLG T/O

SIZE A3 CAGE CODE 00779 DRAWING NO C-1814822 RESTRICTED TO -

WEIGHT - SCALE NTS SHEET 1 OF 1 REV C

CUSTOMER DRAWING