

THIS DRAWING IS UNPUBLISHED.

RELEASED FOR PUBLICATION JAN , 2007.

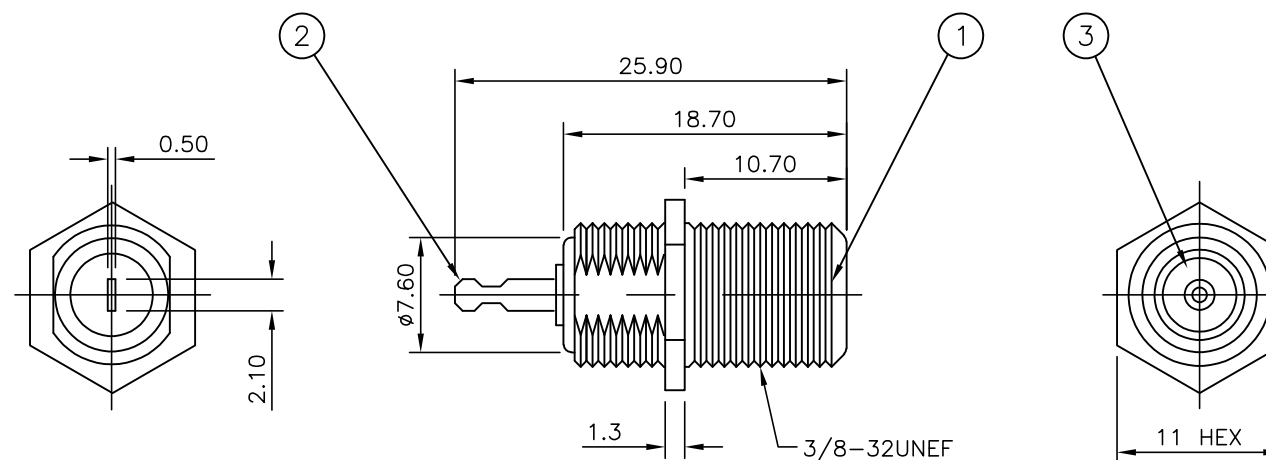
© COPYRIGHT 2007 By -

ALL RIGHTS RESERVED.

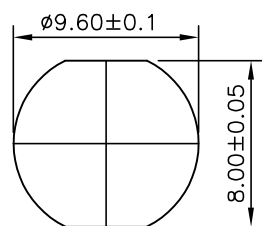
LOC	DIST	REVISIONS			
P	LTR	DESCRIPTION	DATE	DWN	APVD
E	B	C1	REVISED PER ECO-11-005033	01APR11	RK HMR
		D	REVISED PER ECO-11-021675	02NOV11	TITAN MARTIN

NOTES

- 1 SINGLE PACK IN ACCORDANCE WITH AMP SPEC 107-3275
- 2 50 TRAY PACK IN ACCORDANCE WITH AMP SPEC 107-3275
- 3 NICKEL PLATING
- 4 TIN PLATING
- 5 FOR TECHNICAL DATA REFER TO YOUR LOCAL TE CONNECTIVITY SALES OFFICE
- 6 ALL DIMENSIONS ARE NOMINAL FOR REFERENCE ONLY UNLESS OTHERWISE STATED



RECOMMENDED MOUNTING HOLE



QTY	UNIT	MATERIAL	DESCRIPTION	ITEM
1	1	POLYPROPYLENE	INSULATOR	3
1	1	PHOSPHOS BRONZE	CONTACT	2
1	1	ZINC ALLOY	BODY	1
5	15	MATERIAL	DESCRIPTION	ITEM

QUANTITY PER ASSY PARTS LIST

THIS DRAWING IS A CONTROLLED DOCUMENT.		DWN ANSON MA 14FEB09	STE TE Connectivity			
DIMENSIONS: mm		CHK RITA ZUO 14FEB09				
TOLERANCES UNLESS OTHERWISE SPECIFIED:		APVD BOB ZHAO 14FEB09	F TYPE BULKHEAD SOCKET 75 OHMS			
0 PLC ± -		PRODUCT SPEC 108-112000				
1 PLC ± -		APPLICATION SPEC	SIZE	CAGE CODE	DRAWING NO	RESTRICTED TO
2 PLC ± -						
3 PLC ± -						
4 PLC ± -						
ANGLES ± -						
FINISH		WEIGHT	A3 00779		C-1814823	
MATERIAL			CUSTOMER DRAWING		SCALE	SHEET
					NTS	1 OF 1
					REV	D