


5-1814826-1 Product Details

[Share](#) [Print](#) [Email](#)



5-1814826-1

TE Internal Number: 5-1814826-1
 Active

[View 3D PDF](#)

F Series and G Series RF Connectors

 Always EU RoHS/ELV Compliant (Statement of Compliance)

Product Highlights:

- Connector - RF
- RF Connector Type = F Series
- Type of Connector = F Series
- Jack
- Mount = Panel

[View all Features](#)

Quick Links

- ▶ [Pricing & Availability](#)
- ▶ [Search for Tooling](#)
- ▶ [Product Feature Selector](#)
- ▶ [Contact Us About This Product](#)

[Add to My Part List](#) [Request Sample](#) [Find Similar Products](#) [Buy Product](#)

Documentation & Additional Information

Product Drawings:

- [F TYPE BLK JK R/M \(PDF, English\)](#)

Catalog Pages/Data Sheets:

- None Available

Product Specifications:

- [Economy RF Coaxial Connectors \(PDF, English\)](#)

Application Specifications:

- None Available

Instruction Sheets:

- None Available

CAD Files: [\(CAD Format & Compression Information\)](#)

- [2D Drawing \(DXF, Version B\)](#)
- [3D Model \(IGES, Version B\)](#)
- [3D Model \(STEP, Version B\)](#)

[List all Documents](#)

Related Products:

- [Tooling](#)

Product Features (Please use the Product Drawing for all design activity)

Product Type Features:

- Product Type = Connector - RF
- RF Connector Type = F Series
- Type of Connector = F Series
- Gender = Jack
- Dielectric Material = Polypropylene
- Sealed = No

Mechanical Attachment:

- Mount = Panel

Termination Features:

- Coaxial Cable Termination Type = Crimp

Body Features:

- Mount Direction = Rear
- Body Material = Brass
- Body Plating = Nickel

Contact Features:

- Center Contact Material = Brass
- Center Contact Plating = Tin

Configuration Features:

- Coaxial Cable Type (RG/U or Mfg.) = 140, 210, 59B, 62A, 9291, Belden 9291, KX 25, KX 52, KX 53, KX 6A, URM 90

Industry Standards:

- [RoHS/ELV Compliance](#) = RoHS compliant, ELV compliant
- [Lead Free Solder Processes](#) = Not relevant for lead free process
- [RoHS/ELV Compliance History](#) = Always was RoHS compliant

Conditions for Usage:

- Applies To = Coaxial Cable

Other:

- Brand = TE Connectivity

Corporate Information

[About TE](#)
[Investors](#)
[News Room](#)
[Supplier Portal](#)
[Careers](#)
[Terms & Conditions](#)
[Privacy Policy](#)

Quick Links

[Distributor Inventory](#)
[Product Cross Reference](#)
[Documents & Drawings](#)
[Product Compliance Support Center](#)
[Site Map](#)

Customer Support

[Email or Chat With Us](#)
[Find a Phone Number](#)
[Knowledge Base](#)
[Manage Your Account](#)

Keep Me Informed

THIS DRAWING IS UNPUBLISHED.

RELEASED FOR PUBLICATION NOV. 2006.

LOC E DIST B

REVISIONS

© COPYRIGHT 2006 By -

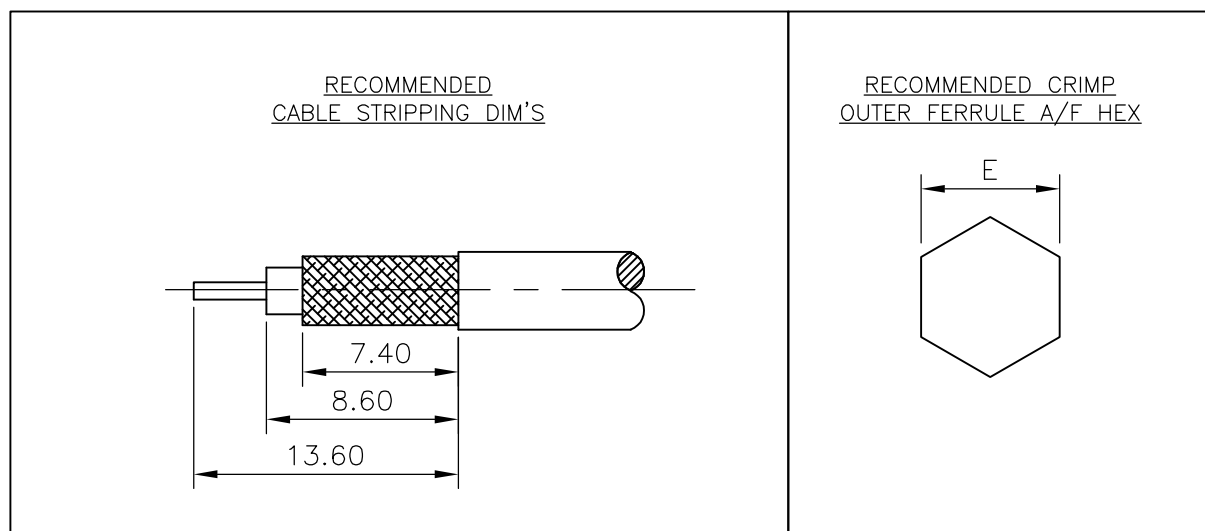
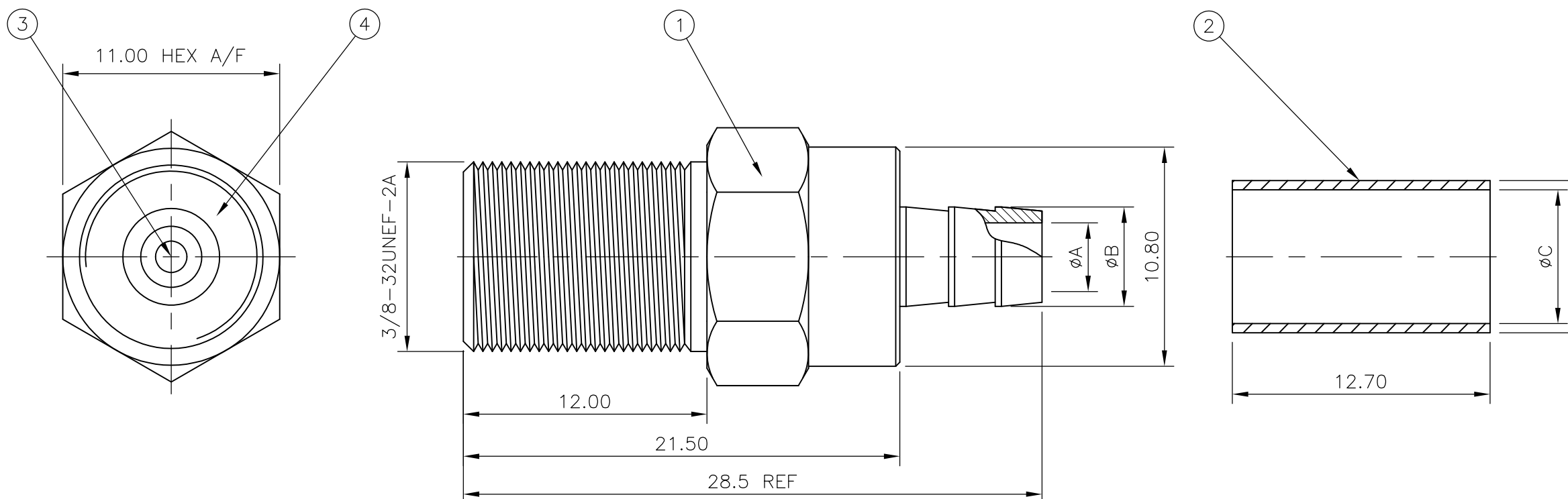
ALL RIGHTS RESERVED.

P	LTR	DESCRIPTION	DATE	DWN	APVD
	C	REVISED PER ECO-12-017394	16JAN13	GG	MY

NOTES

- 1 SINGLE PACK IN ACCORDANCE WITH AMP SPEC 107-3275
- 2 100 TRAY PACK IN ACCORDANCE WITH AMP SPEC 107-3275
- 3 Ni PLATING
- 4 TIN PLATING
- 5. FOR TECHNICAL DATA REFER TO YOUR LOCAL TE CONNECTIVITY SALES OFFICE
- 6. ALL DIMENSIONS ARE NOMINAL FOR REFERENCE ONLY UNLESS OTHERWISE STATED

	9-1478243-0	8.30	9.30	8.30	7.00	5.70	CT125				5-1814826-7	
OBSOLETE	9-1478243-0	8.30	9.30	8.30	7.00	5.70	CT125				5-1814826-6	
	9-1478242-0	6.50	7.50	6.70	5.60	4.60	CT100				5-1814826-5	
	9-1478242-0	6.50	7.50	6.70	5.60	4.60	CT100				5-1814826-4	
	9-1478243-0	8.60	9.60	8.70	6.80	4.85	RG6/U				5-1814826-3	
	9-1478243-0	8.60	9.60	8.70	6.80	4.85	RG6/U				5-1814826-2	
	9-1478242-0	6.50	7.50	6.80	4.90	3.90	RG59B/U, 62A/U, 140/U, 210/U, URM90, Belden 9291, 9291, KX6A, KX25, KX52, KX53				5-1814826-1	
	9-1478242-0	6.50	7.50	6.60	4.90	3.90	RG59B/U, 62A/U, 140/U, 210/U, URM90, Belden 9291, 9291, KX6A, KX25, KX52, KX53				5-1814826-0	
	DIE SET	E	D	C	B	A					PART NO.	
		DIMENSIONS										
		CABLE GROUPS										



OBSOLETE										QUANTITY PER ASSY	PARTS LIST	
1	1	1	1	1	1	1	1	1	1	POLYPROPYLENE	INSULATOR	4
1	1	1	1	1	1	1	1	1	1	BRASS	CONTACT	3
1	1	1	1	1	1	1	1	1	1	ZINC ALLOY	FERRULE	2
1	1	1	1	1	1	1	1	1	1	BRASS	BODY	1
5	75	65	55	45	35	25	15	0		MATERIAL	DESCRIPTION	ITEM
△	△	△	△	△	△	△	△	△	△			

THIS DRAWING IS A CONTROLLED DOCUMENT.

DWN ANSON MA 14FEB09
 CHK RITA ZUO 14FEB09
 APVD BOB ZHAO 14FEB09

PRODUCT SPEC 108-112000
 APPLICATION SPEC

STE TE Connectivity
 F TYPE BLK JK R/M

SIZE CAGE CODE DRAWING NO RESTRICTED TO
 A3 00779 C-1814826

MATERIAL SEE TABLE FINISH - WEIGHT -

CUSTOMER DRAWING SCALE NTS SHEET 1 OF 1 REV C