

5-1814826-3 Product Details

[Share](#) [Print](#) [Email](#)



5-1814826-3

TE Internal Number: 5-1814826-3
✔ Active

[View 3D PDF](#)

F Series and G Series RF Connectors

✔ Always EU RoHS/ELV Compliant (Statement of Compliance)

Product Highlights:

- Connector - RF
- RF Connector Type = F Series
- Type of Connector = F Series
- Jack
- Mount = Panel

[View all Features](#)

Quick Links

- ▶ [Pricing & Availability](#)
- ▶ [Search for Tooling](#)
- ▶ [Product Feature Selector](#)
- ▶ [Contact Us About This Product](#)

[Add to My Part List](#) [Request Sample](#) [Find Similar Products](#) [Buy Product](#)

Documentation & Additional Information

Product Drawings:

- [F TYPE BLK JK R/M](#) (PDF, English)

Catalog Pages/Data Sheets:

- None Available

Product Specifications:

- [Economy RF Coaxial Connectors](#) (PDF, English)

Application Specifications:

- None Available

Instruction Sheets:

- None Available

CAD Files: [\(CAD Format & Compression Information\)](#)

- [2D Drawing](#) (DXF, Version B)
- [3D Model](#) (IGES, Version B)
- [3D Model](#) (STEP, Version B)

[List all Documents](#)

Related Products:

- [Tooling](#)

Product Features (Please use the Product Drawing for all design activity)

Product Type Features:

- Product Type = Connector - RF
- RF Connector Type = F Series
- Type of Connector = F Series
- Gender = Jack
- Dielectric Material = Polypropylene
- Sealed = No

Mechanical Attachment:

- Mount = Panel

Termination Features:

- Coaxial Cable Termination Type = Crimp

Body Features:

- Mount Direction = Rear
- Body Material = Brass
- Body Plating = Nickel

Contact Features:

- Center Contact Material = Brass
- Center Contact Plating = Tin

Configuration Features:

- Coaxial Cable Type (RG/U or Mfg.) = 6

Industry Standards:

- [RoHS/ELV Compliance](#) = RoHS compliant, ELV compliant
- [Lead Free Solder Processes](#) = Not relevant for lead free process
- RoHS/ELV Compliance History = Always was RoHS compliant

Conditions for Usage:

- Applies To = Coaxial Cable

Other:

- Brand = TE Connectivity

Corporate Information

- [About TE](#)
- [Investors](#)
- [News Room](#)
- [Supplier Portal](#)
- [Careers](#)
- [Terms & Conditions](#)
- [Privacy Policy](#)

Quick Links

- [Distributor Inventory](#)
- [Product Cross Reference](#)
- [Documents & Drawings](#)
- [Product Compliance Support Center](#)
- [Site Map](#)

Customer Support

- [Email or Chat With Us](#)
- [Find a Phone Number](#)
- [Knowledge Base](#)
- [Manage Your Account](#)

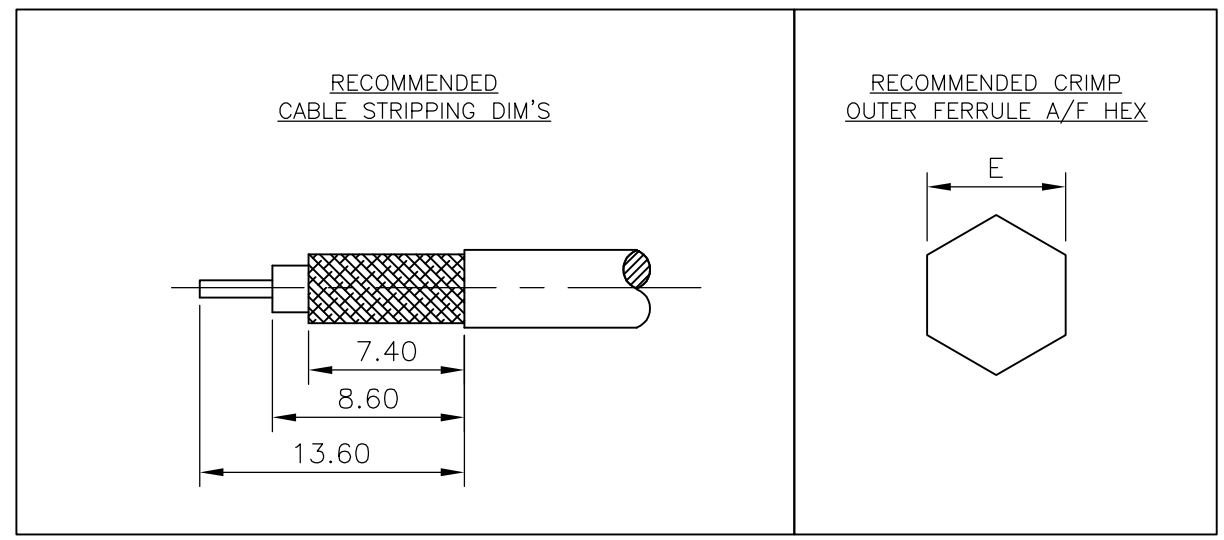
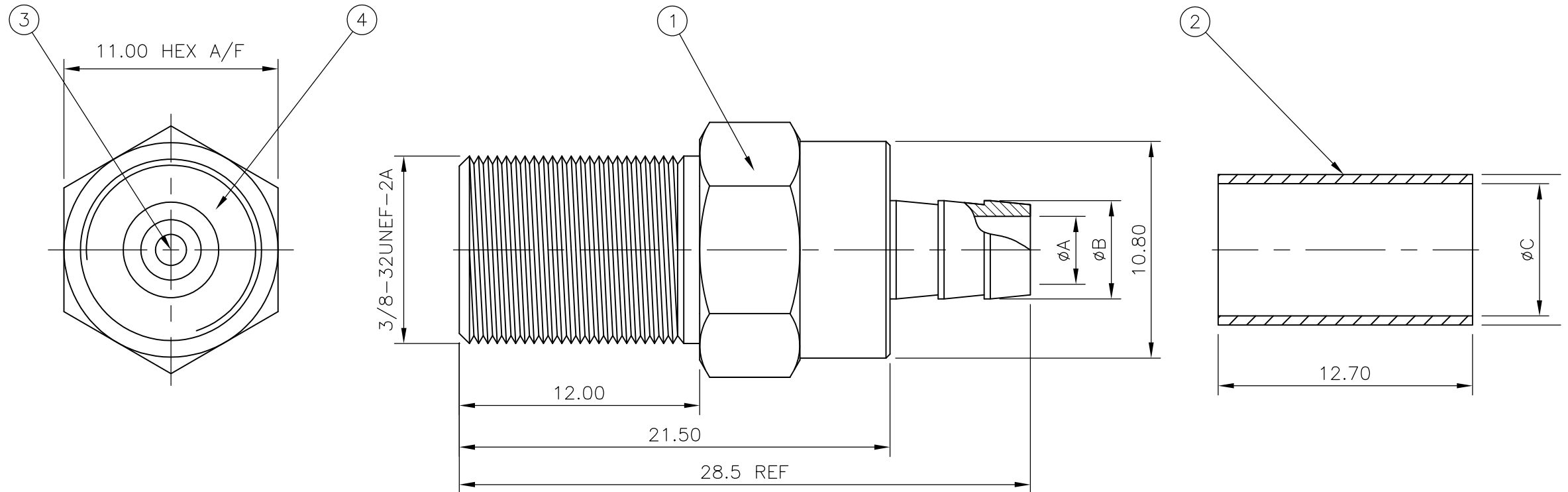
Keep Me Informed

THIS DRAWING IS UNPUBLISHED. RELEASED FOR PUBLICATION NOV. 2006.
 © COPYRIGHT 2006 By - ALL RIGHTS RESERVED.

| LOC | DIST | REVISIONS | | | | | |
|-----|------|-----------|-----|---------------------------|---------|-----|------|
| E | B | P | LTR | DESCRIPTION | DATE | DWN | APVD |
| | | C | | REVISED PER ECO-12-017394 | 16JAN13 | GG | MY |

- NOTES**
- 1 SINGLE PACK IN ACCORDANCE WITH AMP SPEC 107-3275
 - 2 100 TRAY PACK IN ACCORDANCE WITH AMP SPEC 107-3275
 - 3 Ni PLATING
 - 4 TIN PLATING
 5. FOR TECHNICAL DATA REFER TO YOUR LOCAL TE CONNECTIVITY SALES OFFICE
 6. ALL DIMENSIONS ARE NOMINAL FOR REFERENCE ONLY UNLESS OTHERWISE STATED

| 9-1478243-0 | 8.30 | 9.30 | 8.30 | 7.00 | 5.70 | CT125 | 5-1814826-7 | |
|-------------|-------------|------|------|------|------|--|-------------|--|
| OBSOLETE | 9-1478243-0 | 8.30 | 9.30 | 8.30 | 7.00 | 5.70 | 5-1814826-6 | |
| 9-1478242-0 | 6.50 | 7.50 | 6.70 | 5.60 | 4.60 | CT100 | 5-1814826-5 | |
| 9-1478242-0 | 6.50 | 7.50 | 6.70 | 5.60 | 4.60 | CT100 | 5-1814826-4 | |
| 9-1478243-0 | 8.60 | 9.60 | 8.70 | 6.80 | 4.85 | RG6/U | 5-1814826-3 | |
| 9-1478243-0 | 8.60 | 9.60 | 8.70 | 6.80 | 4.85 | RG6/U | 5-1814826-2 | |
| 9-1478242-0 | 6.50 | 7.50 | 6.80 | 4.90 | 3.90 | RG59B/U, 62A/U, 140/U, 210/U, URM90, Belden 9291, 9291, KX6A, KX25, KX52, KX53 | 5-1814826-1 | |
| 9-1478242-0 | 6.50 | 7.50 | 6.60 | 4.90 | 3.90 | RG59B/U, 62A/U, 140/U, 210/U, URM90, Belden 9291, 9291, KX6A, KX25, KX52, KX53 | 5-1814826-0 | |
| DIE SET | E | D | C | B | A | CABLE GROUPS | PART NO. | |
| DIMENSIONS | | | | | | | | |



| | | | | | | | | | | | | |
|----------|----|----|----|----|----|----|----|---|---|-------------------|-------------|------|
| OBSOLETE | | | | | | | | | | | | |
| 1 | 1 | 1 | 1 | 1 | 1 | 1 | 1 | 1 | 1 | POLYPROPYLENE | INSULATOR | 4 |
| 1 | 1 | 1 | 1 | 1 | 1 | 1 | 1 | 1 | 1 | BRASS | CONTACT | 3 |
| 1 | 1 | 1 | 1 | 1 | 1 | 1 | 1 | 1 | 1 | ZINC ALLOY | FERRULE | 2 |
| 1 | 1 | 1 | 1 | 1 | 1 | 1 | 1 | 1 | 1 | BRASS | BODY | 1 |
| 5 | 75 | 65 | 55 | 45 | 35 | 25 | 15 | 0 | | MATERIAL | DESCRIPTION | ITEM |
| | | | | | | | | | | QUANTITY PER ASSY | | |
| | | | | | | | | | | PARTS LIST | | |

THIS DRAWING IS A CONTROLLED DOCUMENT.

| | | | |
|--------------------|--|-----------------------|----------------------------|
| DIMENSIONS: mm | TOLERANCES UNLESS OTHERWISE SPECIFIED: | DWN ANSON MA 14FEB09 | STE TE Connectivity |
| | 0 PLC ± - | CHK RITA ZUO 14FEB09 | |
| | 1 PLC ± - | APVD BOB ZHAO 14FEB09 | |
| | 2 PLC ± 0.3 | NAME | |
| | 3 PLC ± - | PRODUCT SPEC | F TYPE BLK JK R/M |
| | 4 PLC ± - | 108-112000 | |
| | ANGLES ± - | APPLICATION SPEC | |
| | FINISH ± - | SIZE | CAGE CODE |
| MATERIAL SEE TABLE | | WEIGHT - | DRAWING NO |
| | | | RESTRICTED TO |
| | | | A300779 |
| | | | C-1814826 |
| | | | SCALE NTS |
| | | | SHEET 1 OF 1 |
| | | | REV C |

CUSTOMER DRAWING