



Have a Question?
 Chat with a Product Information Specialist

What can we help you find?

[Products](#) [Industries](#) [Resources](#) [About TE](#) [My Account](#) [Innovation](#) [Support Center](#)

51864 Product Details

[Share](#) [Print](#) [Email](#)



51864

TE Internal Number: 51864

Active

[View 3D PDF](#)

Ring and Spade Tongue Terminals

Always EU RoHS/ELV Compliant (Statement of Compliance)

Product Highlights:

- Terminal Shape = Ring Tongue
- Receptacle Style = Straight
- Body Style = PIDG
- Barrel Type = Closed Barrel
- Wire/Cable Type = Regular Wire

[View all Features](#)

Quick Links

- ▶ [Pricing & Availability](#)
- ▶ [Search for Tooling](#)
- ▶ [Product Feature Selector](#)
- ▶ [Contact Us About This Product](#)

[Add to My Part List](#) [Request Sample](#) [Find Similar Products](#) [Buy Product](#)

Documentation & Additional Information

Product Drawings:

- [TERMINAL, RING TONGUE, PIDG, WIRE SIZE, 16-14 AWG \(PDF, English\)](#)

Catalog Pages/Data Sheets:

- None Available

Product Specifications:

- None Available

Application Specifications:

- [Pre-Insulated Diamond Grip \(PIDG\) Terminals, Splices... \(PDF, English\)](#)

Instruction Sheets:

- None Available

CAD Files: [\(CAD Format & Compression Information\)](#)

- [2D Drawing \(DXF, Version AE\)](#)
- [3D Model \(IGES, Version AE\)](#)
- [3D Model \(STEP, Version AE\)](#)

[List all Documents](#)

Related Products:

- [Tooling](#)

Product Features (Please use the Product Drawing for all design activity)

Product Type Features:

- Terminal Shape = Ring Tongue
- Receptacle Style = Straight
- Barrel Type = Closed Barrel
- Wire/Cable Type = Regular Wire
- Insulation = Yes
- Insulation Support = Insulation Support
- Stud Diameter (mm [in]) = 3.68 [0.145]
- Stud Size = 6 [M3.5]
- Shape = RING-041
- Heavy Duty = No
- Finish = Tin
- Color = Blue

Electrical Characteristics:

- Voltage (VAC) = 300

Termination Features:

- Wire/Cable Size (CMA) = 2,050 - 5,180

Dimensions:

- Insulation Diameter (mm [in]) = 2.67 - 3.81 [.105 - .150]
- Length (mm [in]) = 21.44 [0.844]

Body Features:

- Body Style = PIDG
- Wire Range (mm [AWG]) = 1.25-2.00² [16-14]
- Material = Copper
- Tongue Material Thickness (mm [in]) = 0.79 [0.031]
- Insulation Material = Nylon
- Insulation Sleeve Material = Copper

Contact Features:

- Class = 1 & 2

Industry Standards:

- Government/Industry Qualification = Yes
- Government/Industry Part Number = MS25036-107

- RoHS/ELV Compliance = RoHS compliant, ELV compliant
- Lead Free Solder Processes = Not relevant for lead free process
- RoHS/ELV Compliance History = Always was RoHS compliant

Packaging Features:

- Packaging Method = Loose Piece

Other:

- Brand = AMP

Corporate Information

[About TE](#)
[Investors](#)

Quick Links

[Distributor Inventory](#)
[Product Cross Reference](#)

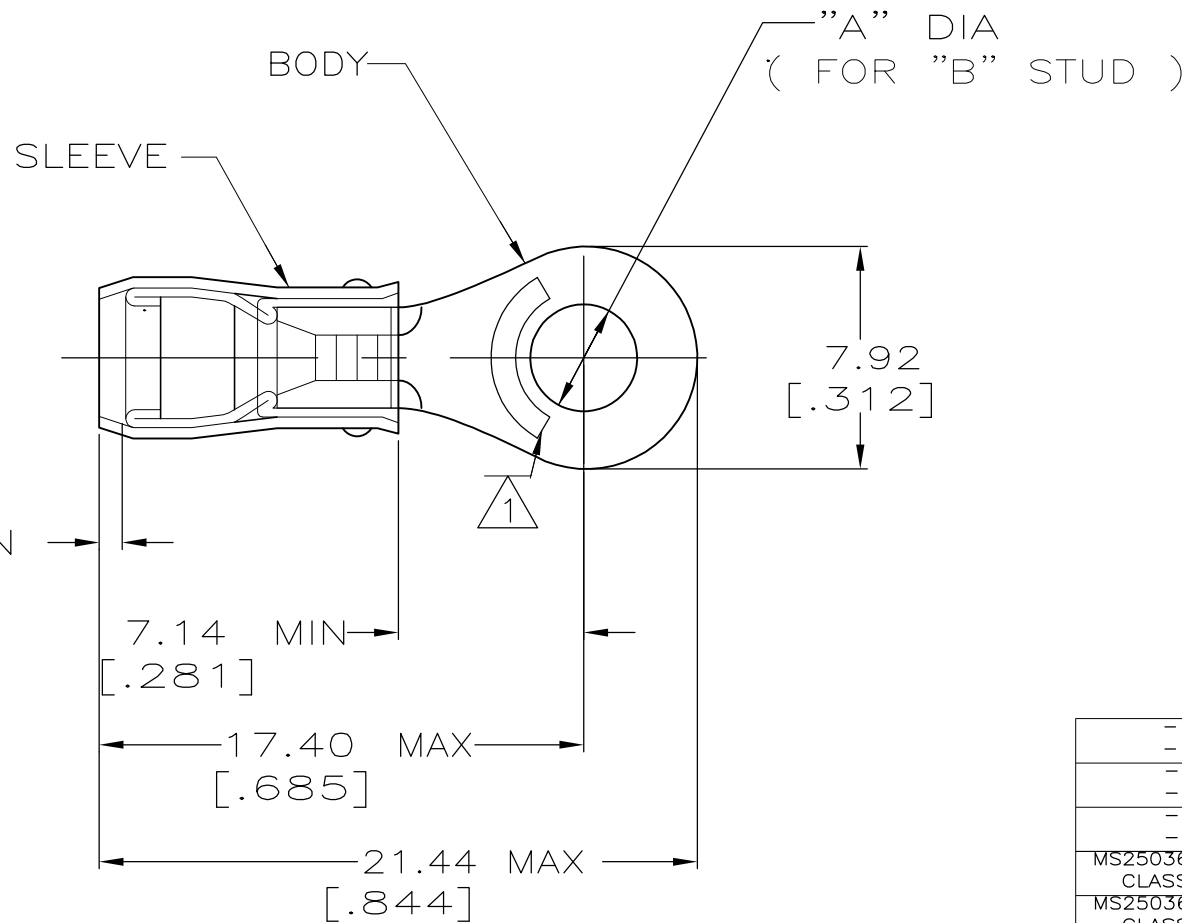
Customer Support

[Email or Chat With Us](#)
[Find a Phone Number](#)

THIS DRAWING IS UNPUBLISHED. RELEASED FOR PUBLICATION - , - .
 © COPYRIGHT - By - ALL RIGHTS RESERVED.

LOC	DIST	REVISIONS			
P	LTR	DESCRIPTION	DATE	DWN	APVD
G	14	AB1	REVISED PER ECO-11-004587	11MAR11	RK HMR

AMP WIRE RANGE	E13288 Listed	LR7189 Certified
16-14 AWG SOLID OR STRANDED	16-14 AWG SOLID OR STRANDED	16-14 AWG SOLID OR STRANDED



- 1 STAMP AMP 16-14* APPROX AS SHOWN
- 2 WIRE INSULATION DIA: 2.67-3.81
[.105-.150]
- 3 TONGUE MATERIAL THK: 0.79±0.05
[.031±.002]

MILITARY P/N AND CLASS	"B"	DIM "A"	QUANTITY	PACKAGE TYPE	PART NO
-	10	5.00±0.08 [.197±.003]	100	LOOSE PIECE, BOX	5-51864-1
-	8	4.34±0.08 [.171±.003]	100	LOOSE PIECE, BOX	4-51864-1
-	6	3.68±0.08 [.145±.003]	100	LOOSE PIECE, BOX	3-51864-1
MS25036-153 CLASS 2	8	4.34±0.08 [.171±.003]	5000	ON TAPE, REEL	51864-5
MS25036-108 CLASS 2	10	5.00±0.08 [.197±.003]	5000	ON TAPE, REEL	51864-4
MS25036-107 CLASS 2	6	3.68±0.08 [.145±.003]	5000	ON TAPE, REEL	51864-3
MS25036-108 CLASS 1 & 2	10	5.00±0.08 [.197±.003]	1000	LOOSE PIECE	51864-2
MS25036-153 CLASS 1 & 2	8	4.34±0.08 [.171±.003]	1000	LOOSE PIECE	51864-1
MS25036-107 CLASS 1 & 2	6	3.68±0.08 [.145±.003]	1000	LOOSE PIECE	51864

AMP INCORPORATED CUSTOMER SERVICE SYSTEMS		MAX RECOMMENDED OPERATING TEMPERATURE: 105° C MAX
FOR ADDITIONAL PRODUCT INFORMATION OR COPIES OF DRAWINGS AND TECHNICAL DOCUMENTS	PRODUCT INFORMATION CENTER 1-800-522-6752	VOLTAGE RATING: 300 V MAX
FOR APPLICATION TOOLING INFORMATION	TOOLING ASSISTANCE CENTER 1-800-722-1111	CIRCULAR MIL AREA: 1.04-2.62mm ² [2050-5180] CIR MILS SOLID OR STRANDED
FOR ORDER ENTRY	1-800-526-5142	THIS DRAWING IS A CONTROLLED DOCUMENT FOR AMP INCORPORATED. IT IS SUBJECT TO CHANGE AND THE CONTROLLING ENGINEERING ORGANIZATION SHOULD BE CONTACTED FOR THE LATEST REVISION.

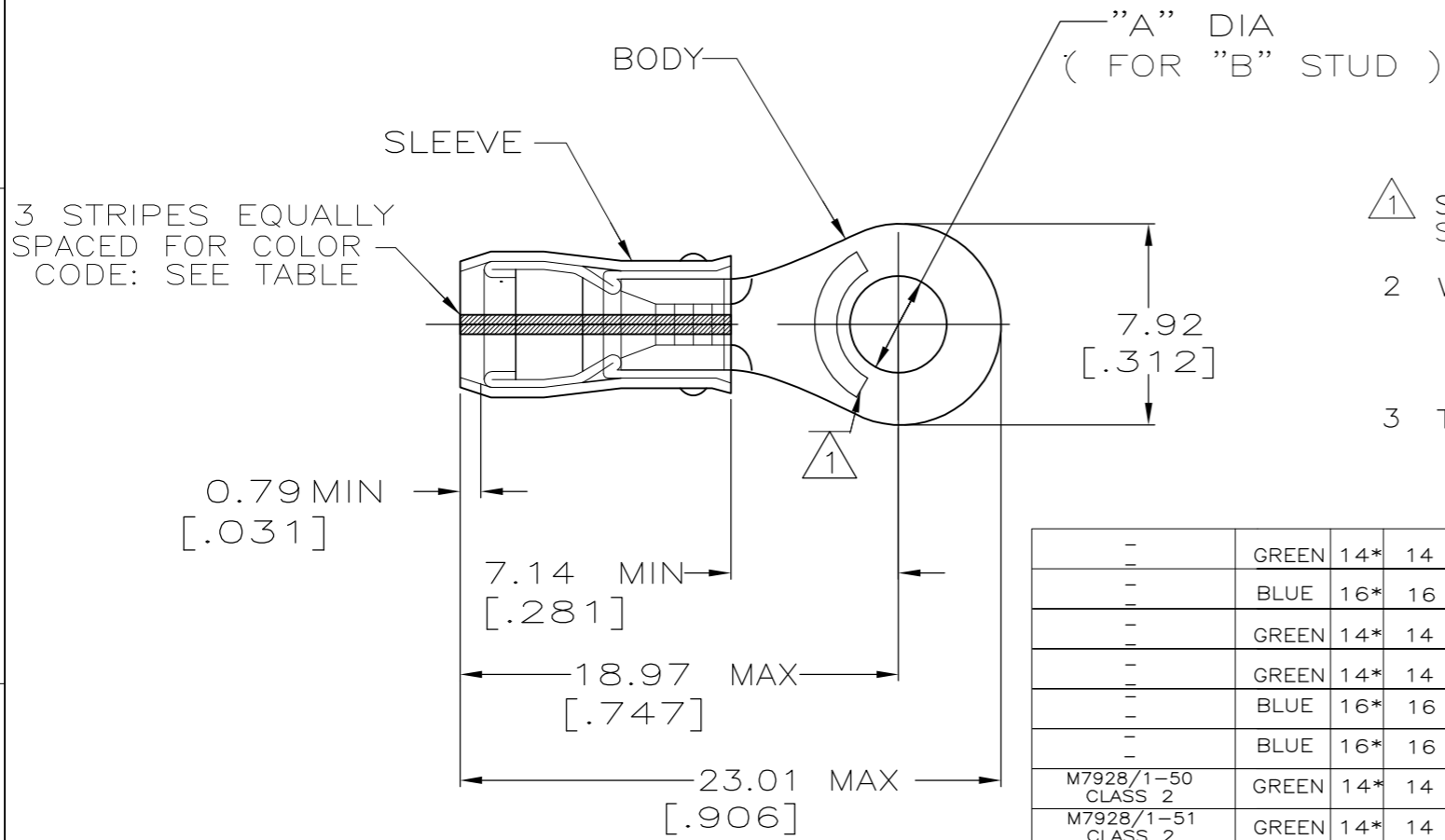
THIS DRAWING IS A CONTROLLED DOCUMENT.		DWN JR RUTH 270CT99	TE Connectivity	
DIMENSIONS: mm[INCHES]		CHK RE HERSEY 270CT99		
TOLERANCES UNLESS OTHERWISE SPECIFIED: 0 PLC ± - 1 PLC ± - 2 PLC ± 0.20[.008] 3 PLC ± - 4 PLC ± - ANGLES ± -		APVD C PRESNELL 270CT99	NAME TERMINAL, RING TONGUE, PIDG, WIRE SIZE, 16-14 AWG	
MATERIAL COPPER PER ASTM B-152 SLEEVE, BLUE NYLON		FINISH TIN PLATE PER ASTM B545	PRODUCT SPEC UL 486A	APPLICATION SPEC
WEIGHT -		SIZE A3	CAGE CODE 00779	DRAWING NO C-51864
CUSTOMER DRAWING			RESTRICTED TO -	SCALE NTS SHEET 1 OF 2 REV AB1

CUSTOMER DRAWING

LOC	DIST	REVISIONS					
G	14	P	LTR	DESCRIPTION	DATE	DWN	APVD
			AB1	REVISED PER ECO-11-004587	11MAR11	RK	HMR

AMP
WIRE RANGE

SEE TABLE
STRANDED



- 1 STAMP AMP APPROX AS SHOWN SEE TABLE BELOW
- 2 WIRE INSULATION DIA: 1.60-3.30 FOR 16 AWG
[.063-.130]
1.98-3.30 FOR 14 AWG
[.078-.130]
- 3 TONGUE MATERIAL THK: 0.79±0.05
[.031±.002]

-	GREEN	14*	14	8	4.34±0.08 [.171±.003]	100	LOOSE PIECE, BOX	9-51864-5
-	BLUE	16*	16	8	4.34±0.08 [.171±.003]	100	LOOSE PIECE, BOX	9-51864-3
-	GREEN	14*	14	10	5.00±0.08 [.197±.003]	100	LOOSE PIECE, BOX	9-51864-1
-	GREEN	14*	14	6	3.68±0.08 [.145±.003]	100	LOOSE PIECE, BOX	8-51864-1
-	BLUE	16*	16	10	5.00±0.08 [.197±.003]	100	LOOSE PIECE, BOX	7-51864-1
-	BLUE	16*	16	6	3.68±0.08 [.145±.003]	100	LOOSE PIECE, BOX	6-51864-1
M7928/1-50 CLASS 2	GREEN	14*	14	8	4.34±0.08 [.171±.003]	5000	ON TAPE, REEL	1-51864-7
M7928/1-51 CLASS 2	GREEN	14*	14	10	5.00±0.08 [.197±.003]	5000	ON TAPE, REEL	1-51864-5
M7928/1-42 CLASS 2	BLUE	16*	16	10	5.00±0.08 [.197±.003]	5000	ON TAPE, REEL	1-51864-3
M7928/1-40 CLASS 2	BLUE	16*	16	6	3.68±0.08 [.145±.003]	5000	ON TAPE, REEL	1-51864-2
M7928/1-50 CLASS 1 & 2	GREEN	14*	14	8	4.34±0.08 [.171±.003]	1000	LOOSE PIECE	1-51864-1
M7928/1-41 CLASS 1 & 2	BLUE	16*	16	8	4.34±0.08 [.171±.003]	1000	LOOSE PIECE	1-51864-0
M7928/1-51 CLASS 1 & 2	GREEN	14*	14	10	5.00±0.08 [.197±.003]	1000	LOOSE PIECE	51864-9
M7928/1-49 CLASS 1 & 2	GREEN	14*	14	6	3.68±0.08 [.145±.003]	1000	LOOSE PIECE	51864-8
M7928/1-42 CLASS 1 & 2	BLUE	16*	16	10	5.00±0.08 [.197±.003]	1000	LOOSE PIECE	51864-7
M7928/1-40 CLASS 1 & 2	BLUE	16*	16	6	3.68±0.08 [.145±.003]	1000	LOOSE PIECE	51864-6
MILITARY P/N AND CLASS	STRIPE COLOR	1	WIRE SIZE	"B"	DIM "A"	QUANTITY	PACKAGE TYPE	PART NO

AMP INCORPORATED CUSTOMER SERVICE SYSTEMS		MAX RECOMMENDED OPERATING TEMPERATURE: 105° C MAX	THIS DRAWING IS A CONTROLLED DOCUMENT.		DWN JR RUTH 26OCT99	STE TE Connectivity				
FOR ADDITIONAL PRODUCT INFORMATION OR COPIES OF DRAWINGS AND TECHNICAL DOCUMENTS	PRODUCT INFORMATION CENTER 1-800-522-6752	VOLTAGE RATING: 300 V MAX	DIMENSIONS: mm[INCHES]	TOLERANCES UNLESS OTHERWISE SPECIFIED: 0 PLC ± - 1 PLC ± - 2 PLC ± 0.20[.008] 3 PLC ± - 4 PLC ± - ANGLES ± -	CHK RE HERSEY 26OCT99				NAME C PRESNELL 26OCT99	
FOR APPLICATION TOOLING INFORMATION	TOOLING ASSISTANCE CENTER 1-800-722-1111	WIRE RANGE: CIRC MIL AREA: 16 1.42mm² [2800] 14 2.15mm² [4234]			APVD C PRESNELL 26OCT99	TERMINAL, RING TONGUE, I.R., PIDG™, WIRE SIZE, 16-14AWG				
FOR ORDER ENTRY	1-800-526-5142	STRANDED	MATERIAL COPPER PER ASTM B-152 SLEEVE, BLUE NYLON	FINISH TIN PLATE PER ASTM B545	PRODUCT SPEC - APPLICATION SPEC NOT AVAILABLE	SIZE A3	CAGE CODE 00779	DRAWING NO C-51864	RESTRICTED TO -	
THIS DRAWING IS A CONTROLLED DOCUMENT FOR AMP INCORPORATED. IT IS SUBJECT TO CHANGE AND THE CONTROLLING ENGINEERING ORGANIZATION SHOULD BE CONTACTED FOR THE LATEST REVISION.					WEIGHT -	CUSTOMER DRAWING		SCALE NTS	SHEET 2 OF 2	REV AB1