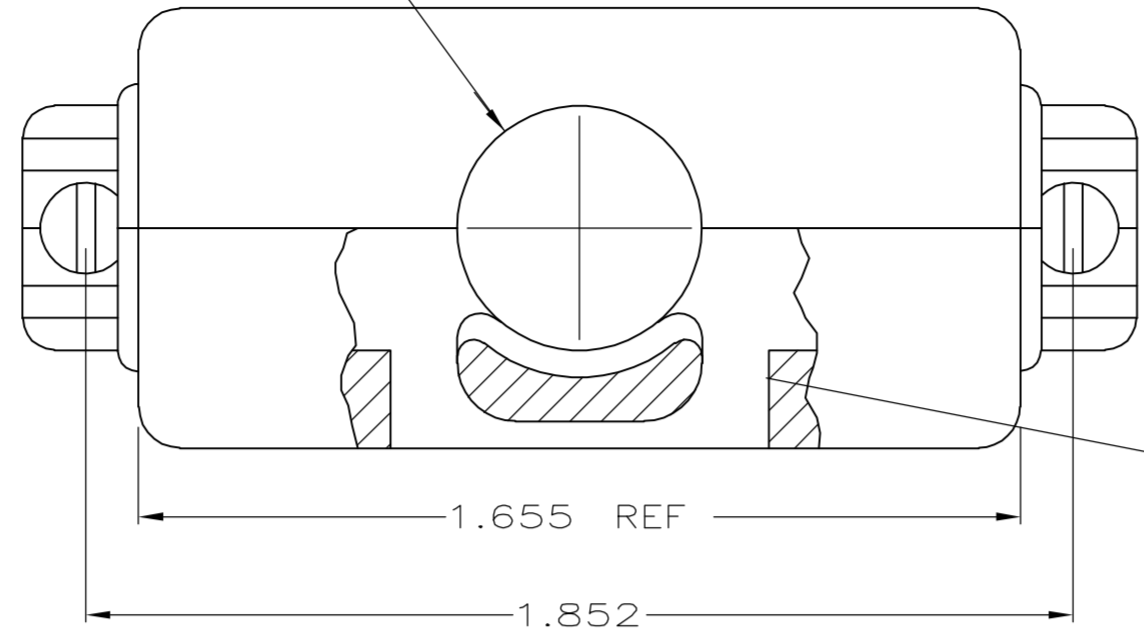


THIS DRAWING IS UNPUBLISHED. RELEASED FOR PUBLICATION
 © COPYRIGHT 2006 BY TYCO ELECTRONICS CORPORATION. ALL RIGHTS RESERVED.

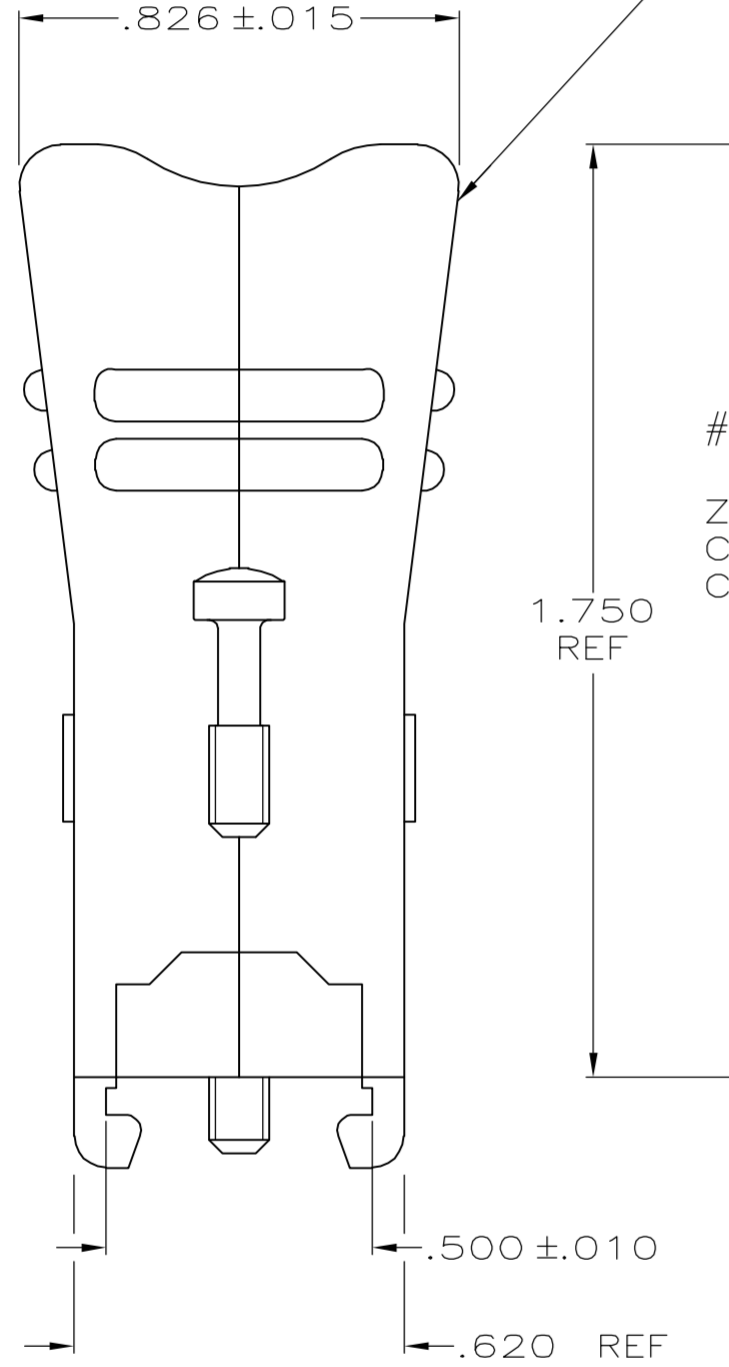
LOC	DIST	REVISIONS			
P	LTR	DESCRIPTION	DATE	DWN	APVD
GP	00	0	RELEASED PER EC 0513-0221-05	31AUG05	RR JG

.335 MAX DIA
CABLE OPENING

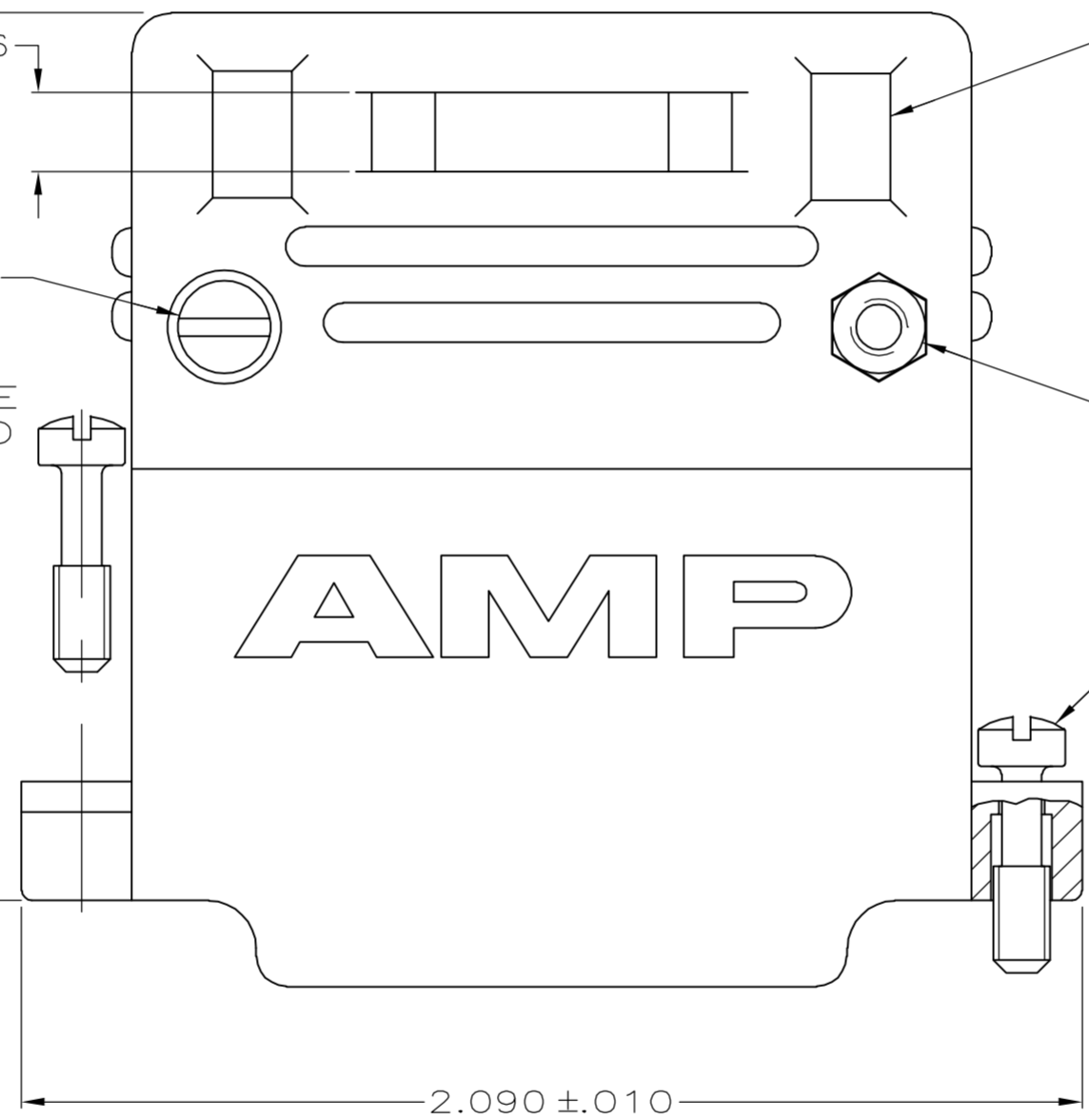


INTERNAL CABLE
TIE OPENINGS

TWO PIECE CABLE
SUPPORT HOUSING.
MATERIAL: THERMOPLASTIC, GRAY



#4-40 STEEL,
SCREW,
ZINC PLATED,
CLEAR CHROMATE
COATED, 2-REQD



EXTERNAL CABLE
TIE OPENINGS

#4-40 HEX NUT, STEEL,
ZINC PLATED CLEAR CHROMATE COATED

#4-40 CRS SCREW,
ZINC PLATED, 2 REQD
YELLOW CHROMATE COATED

1. THIS PART WILL FIT ANY STANDARD SIZE 3 PLUG OR RECEPTACLE IN THE AMPLIMITE SERIES.
2. ALL PARTS ARE PACKAGED UNASSEMBLED.

1 KIT PER POLY BAG	5206472-1
PACKAGING	PART NUMBER

THIS DRAWING IS A CONTROLLED DOCUMENT.		DWN R.RICHARDSON 31AUG05	Tyco Electronics Corporation Harrisburg, PA 17105-3608	
DIMENSIONS: INCHES		CHK C.ROHDE 31AUG05	NAME CABLE CLAMP ASSEMBLY, 180', SIZE 3, 25 POSITION, AMPLIMITE HD-20	
TOLERANCES UNLESS OTHERWISE SPECIFIED:		APVD M. WALMSLEY 31AUG05	SIZE A2	CAGE CODE 00779
0 PLC ± -		PRODUCT SPEC	DRAWING NO C=5206472	RESTRICTED TO
1 PLC ± -		APPLICATION SPEC	SCALE 3:1	SHEET 1 of 1
2 PLC ± -		WEIGHT -	REV 0	
3 PLC ± .005		CUSTOMER DRAWING		
4 PLC ± -				
ANGLES ± -				
FINISH SEE CALLOUTS				

5206472