



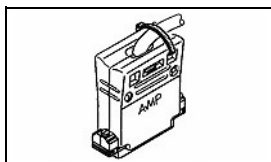
Have a Question?
Chat with a Product Information Specialist

What can we help you find?

[Products](#) [Industries](#) [Resources](#) [About TE](#) [My Account](#) [Innovation](#) [Support Center](#)

5206472-1 Product Details

Share Print Email



5206472-1

TE Internal Number: 5206472-1

Active

[View 3D PDF](#)

Cable Clamps

Always EU RoHS/ELV Compliant (Statement of Compliance)

Product Highlights:

- Backshell/Cable Clamp
- Cable Clamp Type = Clam Shell
- Straight(180°)/90° Cable Exit Angle
- Cable Insulation Diameter = 8.51 mm
- Shell Size = 3

[View all Features](#)

Quick Links

- [Pricing & Availability](#)
- [Search for Tooling](#)
- [Product Feature Selector](#)
- [Contact Us About This Product](#)

[Add to My Part List](#) [Request Sample](#) [Find Similar Products](#) [Buy Product](#)

Documentation & Additional Information	
<p>Product Drawings:</p> <ul style="list-style-type: none"> • CABLE CLAMP ASSEMBLY, 180 DEG , SIZE 3, 25 POSITION... (PDF, English) <p>Catalog Pages/Data Sheets:</p> <ul style="list-style-type: none"> • AMPLIMITE Subminiature D Connectors - Cable Connectors (PDF, English) <p>Product Specifications:</p> <ul style="list-style-type: none"> • None Available <p>Application Specifications:</p> <ul style="list-style-type: none"> • None Available <p>Instruction Sheets:</p> <ul style="list-style-type: none"> • Cable Clamp Assemblies for AMPLIMITE HD-20 and HD-22... (PDF, English) • CHAMP Cable-to-Cable and Cable-to-Panel Connectors (PDF, English) <p>CAD Files: (CAD Format & Compression Information)</p> <ul style="list-style-type: none"> • 2D Drawing (DXF, Version 0) • 3D Model (IGES, Version 0) • 3D Model (STEP, Version 0) 	<p>Additional Information:</p> <ul style="list-style-type: none"> • Product Line Information <p>Related Products:</p> <ul style="list-style-type: none"> • Tooling

[List all Documents](#)

Product Features (Please use the Product Drawing for all design activity)	
<p>Product Type Features:</p> <ul style="list-style-type: none"> • Product Type = Backshell/Cable Clamp • Cable Clamp Type = Clam Shell • Shell Size = 3 • Grommets = Without • Thread Size = 4-40 <p>Electrical Characteristics:</p> <ul style="list-style-type: none"> • Shielded = No <p>Dimensions:</p> <ul style="list-style-type: none"> • Cable Insulation Diameter (mm [in]) = 8.51 [0.335] <p>Body Features:</p> <ul style="list-style-type: none"> • Cable Exit Angle = Straight(180°)/90° • Cable Clamp Material = Thermoplastic • Shield Plating = None 	<p>Industry Standards:</p> <ul style="list-style-type: none"> • RoHS/ELV Compliance = RoHS compliant, ELV compliant • Lead Free Solder Processes = Not relevant for lead free process • RoHS/ELV Compliance History = Always was RoHS compliant <p>Packaging Features:</p> <ul style="list-style-type: none"> • Packaging Method = Individual Kit <p>Other:</p> <ul style="list-style-type: none"> • Brand = AMP • Comment = Straight or 90° cable exit is achieved by inserting AMP-TY Cable Ties through cable tie openings and clamping the cable to one housing half only.; All parts are packaged unassembled.

Corporate Information

- [About TE](#)
- [Investors](#)
- [News Room](#)
- [Supplier Portal](#)
- [Careers](#)

Quick Links

- [Distributor Inventory](#)
- [Product Cross Reference](#)
- [Documents & Drawings](#)
- [Product Compliance Support Center](#)
- [Site Map](#)

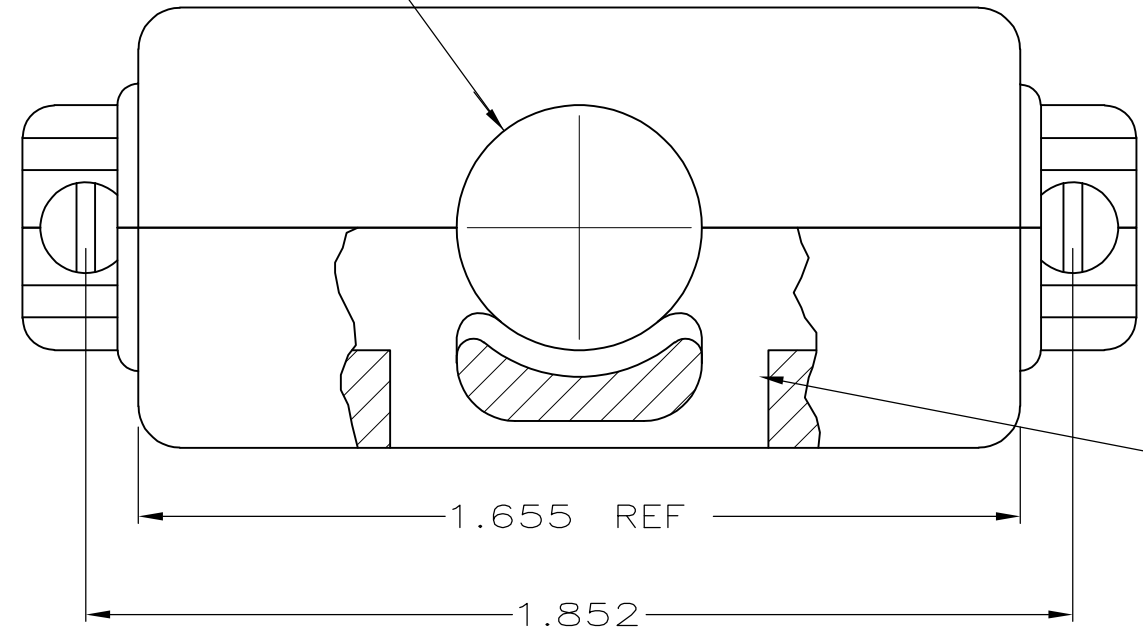
Customer Support

- [Email or Chat With Us](#)
- [Find a Phone Number](#)
- [Knowledge Base](#)
- [Manage Your Account](#)

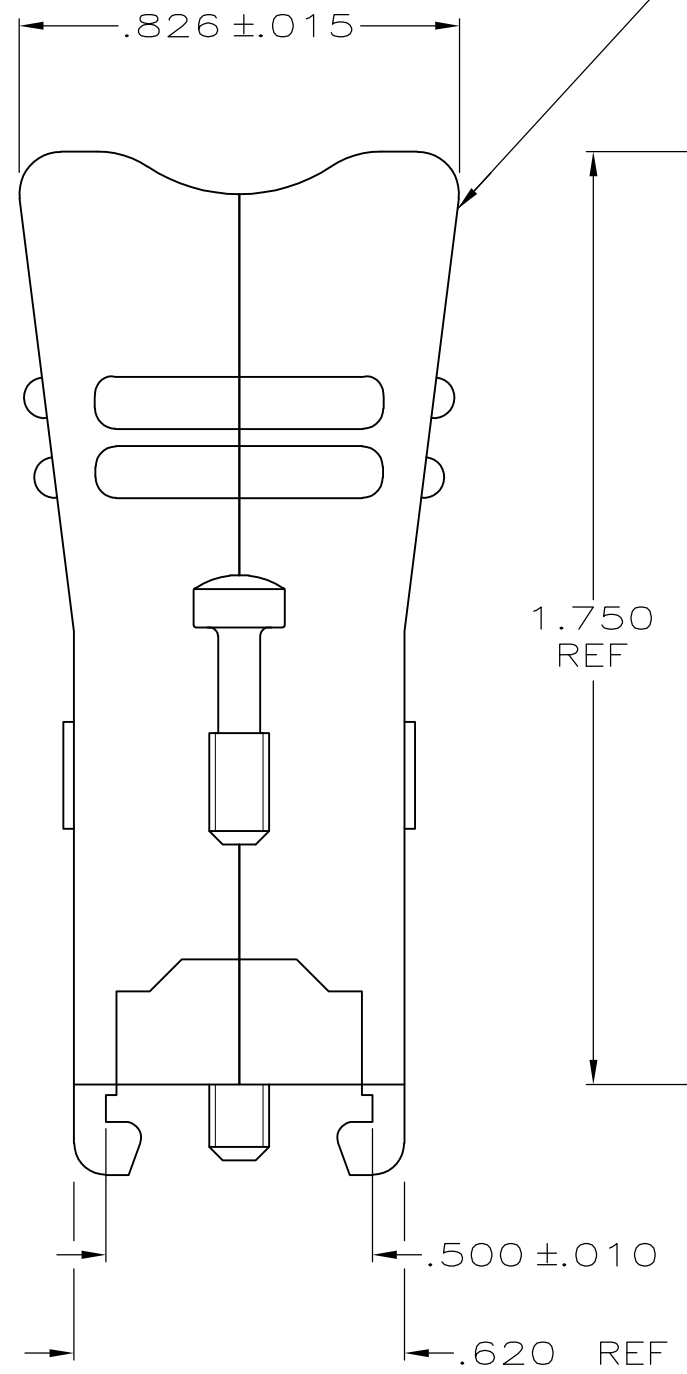
THIS DRAWING IS UNPUBLISHED. RELEASED FOR PUBLICATION
 © COPYRIGHT 2006 By - ALL RIGHTS RESERVED.

LOC	DIST	REVISIONS			
P	LTR	DESCRIPTION	DATE	DWN	APVD
GP	00				
P		REVISED PER ECO-11-004835	11MAR11	RK	HMR

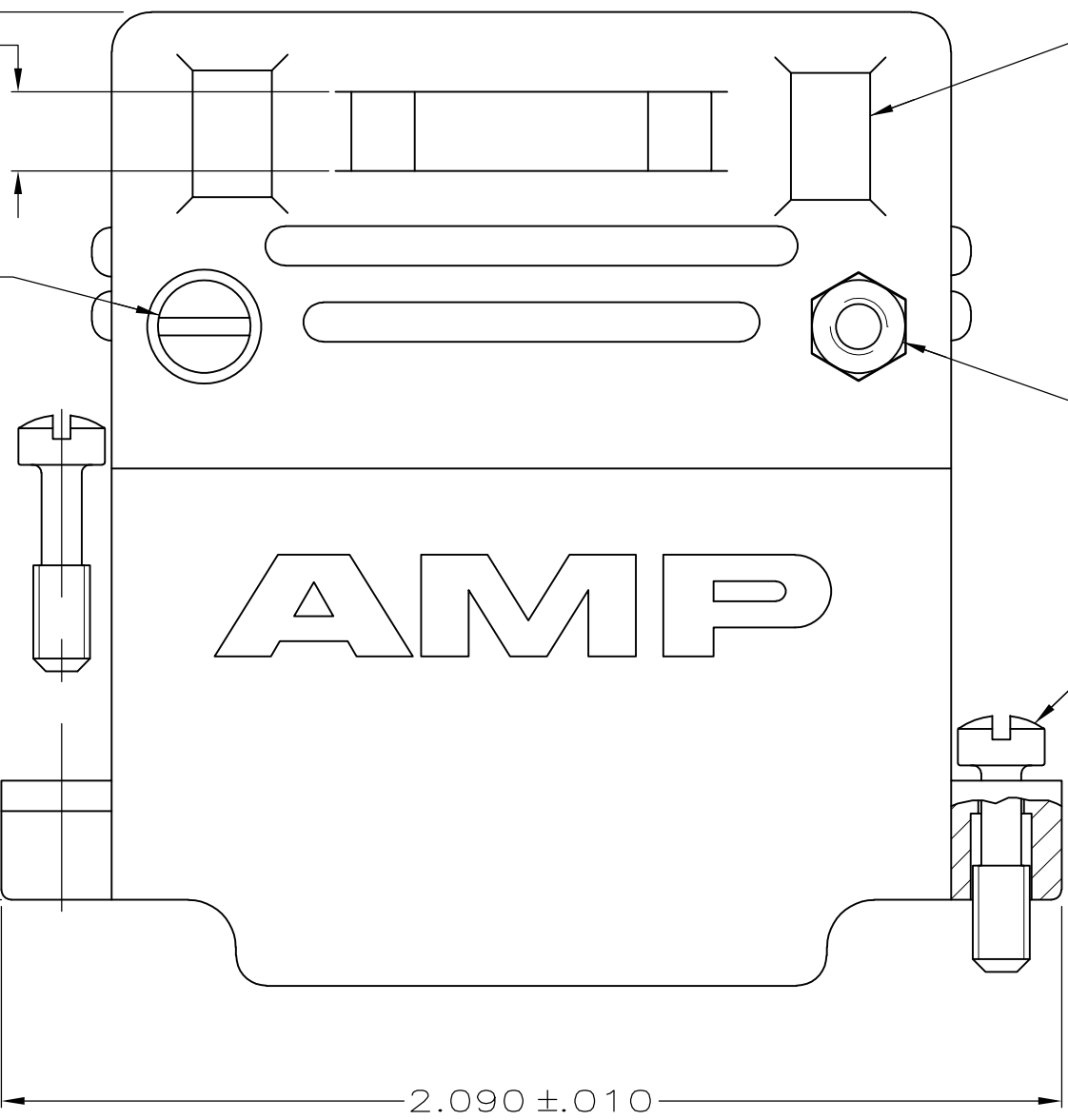
.335 MAX DIA
CABLE OPENING



TWO PIECE CABLE
SUPPORT HOUSING.
MATERIAL: THERMOPLASTIC, GRAY



#4-40 STEEL,
SCREW,
ZINC PLATED,
CLEAR CHROMATE
COATED, 2-REQD



1. THIS PART WILL FIT ANY STANDARD SIZE 3 PLUG OR RECEPTACLE IN THE AMPLIMITE SERIES.
2. ALL PARTS ARE PACKAGED UNASSEMBLED.

1 KIT PER POLY BAG	5206472-1
PACKAGING	PART NUMBER

THIS DRAWING IS A CONTROLLED DOCUMENT.		DWN R.RICHARDSON 31AUG05	TE Connectivity	
DIMENSIONS: INCHES		CHK C.ROHDE 31AUG05	NAME	
TOLERANCES UNLESS OTHERWISE SPECIFIED:		APVD M. WALMSLEY 31AUG05	CABLE CLAMP ASSEMBLY, 180 DEG , SIZE 3, 25 POSITION, AMPLIMITE HD-20	
0 PLC ± -		PRODUCT SPEC	SIZE	RESTRICTED TO
1 PLC ± -		APPLICATION SPEC	CAGE CODE	
2 PLC ± -			DRAWING NO	
3 PLC ± .005			A2 00779	
4 PLC ± -			C=5206472	
ANGLES ± -		WEIGHT	SCALE	SHEET
MATERIAL SEE CALLOUTS		FINISH SEE CALLOUTS	3:1	1 of 1
		CUSTOMER DRAWING	REV	P