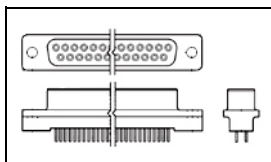


## 5207828-3 Product Details

[Share](#) [Print](#) [Email](#)



**5207828-3**

TE Internal Number: 5207828-3

Active

[View 3D PDF](#)

### Standard Board Mount Connectors

Always EU RoHS/ELV Compliant (Statement of Compliance)

#### Product Highlights:

- 25 Positions
- Connector Style = Receptacle
- PCB Mounting Orientation = Vertical
- Product Series = HD 20
- Without Mating Connector Lock

[View all Features](#)

### Quick Links

- ▶ [Pricing & Availability](#)
- ▶ [Search for Tooling](#)
- ▶ [View Mating Products \(1\)](#)
- ▶ [Product Feature Selector](#)
- ▶ [Contact Us About This Product](#)

[Add to My Part List](#) [Request Sample](#) [Find Similar Products](#) [Buy Product](#)

### Documentation & Additional Information

#### Product Drawings:

- [RECEPTACLE ASSEMBLY, SIZE 3, 25 POSN, VERTICAL, AMPL...](#) (PDF, English)

#### Catalog Pages/Data Sheets:

- [AMPLIMITE Subminiature D Connectors - Straight Poste...](#) (PDF, English)

#### Product Specifications:

- None Available

#### Application Specifications:

- None Available

#### Instruction Sheets:

- None Available

#### CAD Files: [\(CAD Format & Compression Information\)](#)

- [2D Drawing](#) (DXF, Version 0)
- [3D Model](#) (IGES, Version 0)
- [3D Model](#) (STEP, Version 0)

[List all Documents](#)

#### Additional Information:

- [Product Line Information](#)

#### Additional Product Images:

- [Product Photo](#)
- [Typical Application](#)

#### Related Products:

- [Tooling](#)
- [Mating Products \(1\)](#)

### Product Features (Please use the Product Drawing for all design activity)

#### Product Type Features:

- PCB Mounting Orientation = Vertical
- Product Series = HD 20
- Mating Connector Lock = Without
- PCB Mount Retention = With
- PCB Mount Retention Type = Mounting Hole(s)
- Shell Type = All Plastic
- Shell Size = 3
- Grounding Indents = Without
- Grounding Straps = Without
- PCB Mount Style = Through Hole
- Color Code = None
- Sealed = No
- Profile = Standard
- Post Size (mm [in]) = 0.66 [.026]
- Mounting Hole Diameter (mm [in]) = 3.05 [.120]

#### Mechanical Attachment:

- Panel Mount Retention = Without

#### Termination Features:

- Grounding Clips = Without
- Termination Post Length (mm [in]) = 3.18 [0.125]
- Solder Tail Contact Plating = Tin over Nickel

#### Dimensions:

- PCB Thickness, Recommended (in [mm]) = 0.062 – 0.093 [1.57 – 2.36]

#### Contact Features:

- Contact Plating, Mating Area, Material = Gold Flash
- Contact Shape = Round
- Contact Base Material = Phosphor Bronze

#### Housing Features:

- Connector Style = Receptacle
- UL Flammability Rating = UL 94V-0
- Housing Material = Thermoplastic - GF

#### Configuration Features:

- Number of Positions = 25

#### Industry Standards:

- RoHS/ELV Compliance = RoHS compliant, ELV compliant
- Lead Free Solder Processes = Wave solder capable to 260°C, Wave solder capable to 240°C, Wave solder capable to 265°C
- RoHS/ELV Compliance History = Always was RoHS compliant

#### Operation/Application:

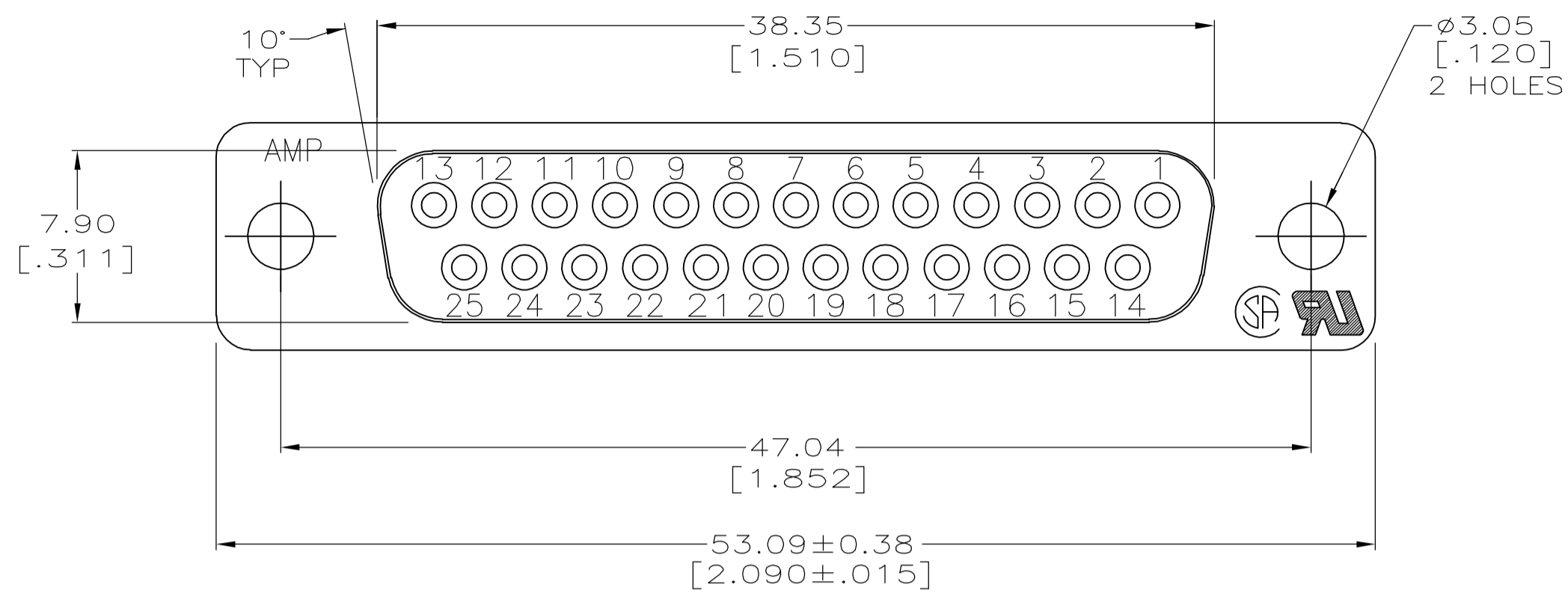
- Application = Standard

#### Other:

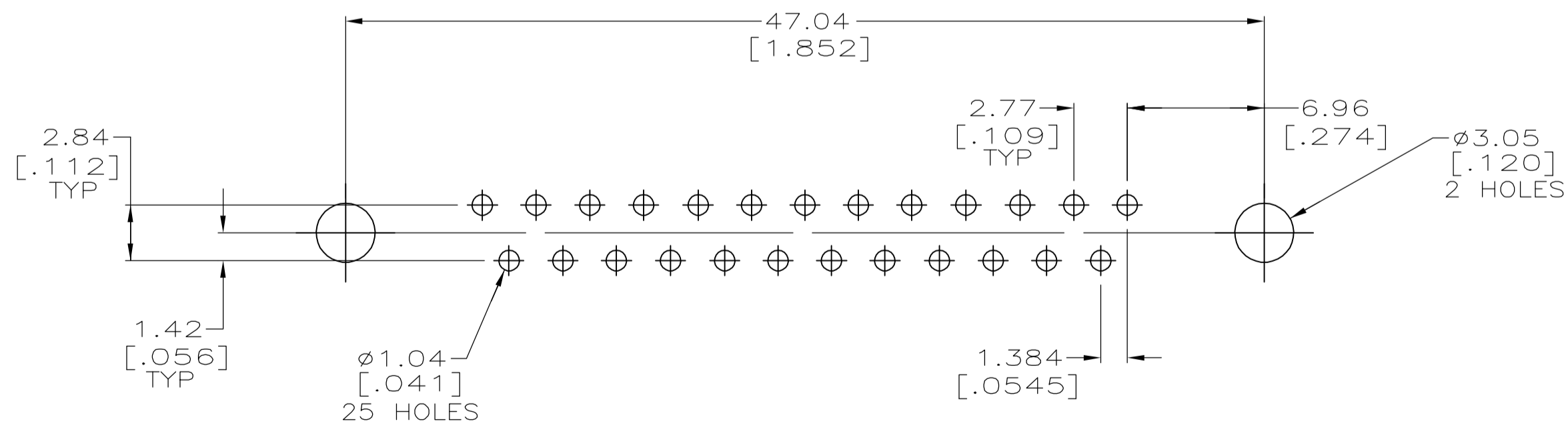
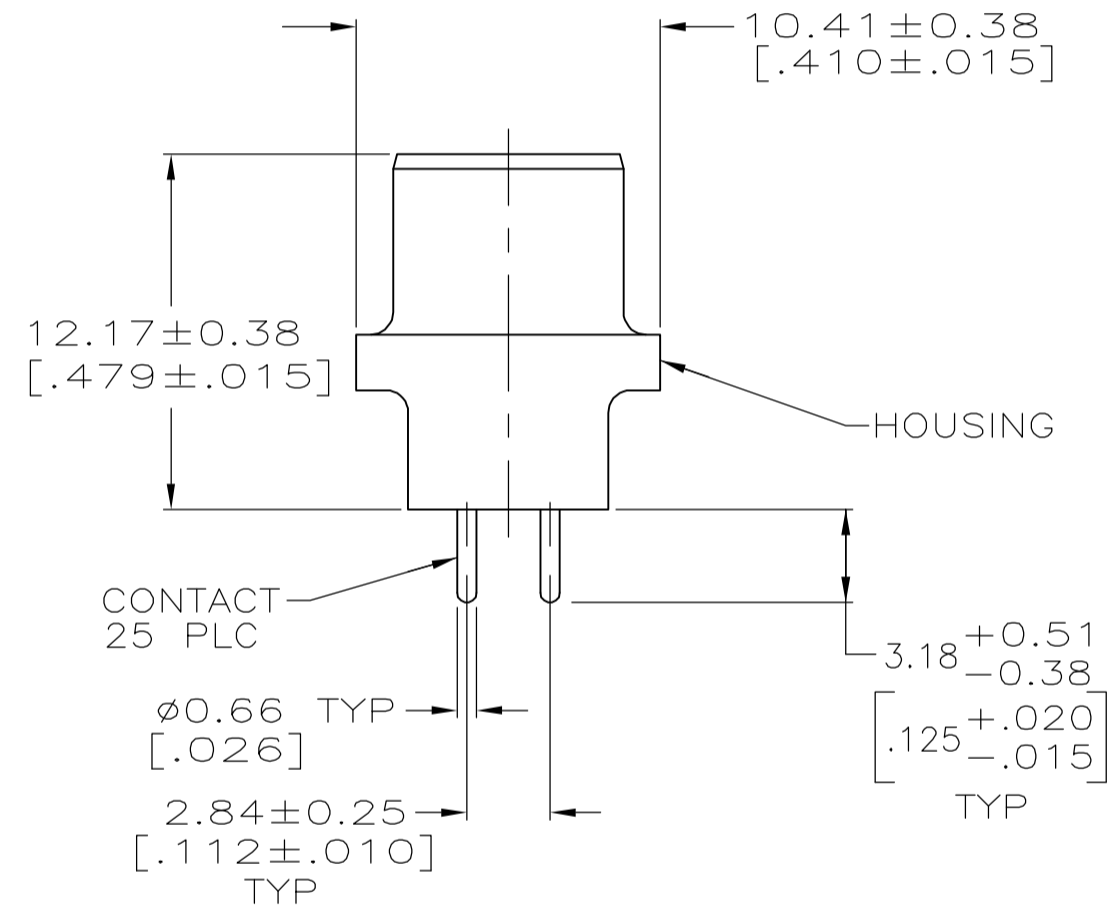
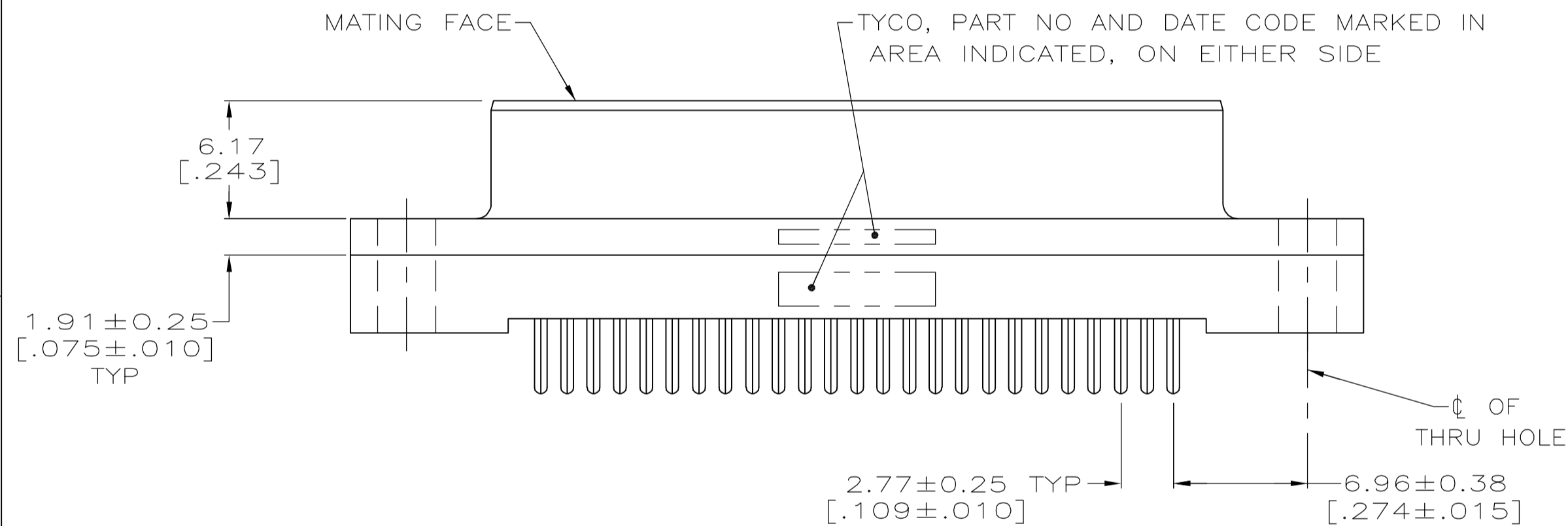
- Brand = AMP
- Comment = All receptacles are preloaded with size 20 DF posted socket contacts

THIS DRAWING IS UNPUBLISHED. RELEASED FOR PUBLICATION  
 © COPYRIGHT BY TYCO ELECTRONICS CORPORATION. ALL RIGHTS RESERVED.

LOC		DIST		REVISIONS			
P	LTR	DESCRIPTION	DATE	DWN	APVD		
GP	00						
	0	RELEASED PER EC 0513-0087-05	08SEP05	GP	JG		



- 1 HOUSING: BLACK POLYESTER, UL 94V-0 RATED. CONTACTS: PHOSPHOR BRONZE.
- 2 GOLD FLASH FOR A LENGTH OF 2.54[.100] MIN FROM MATING END, 2.54µm[.000100] MIN TIN FOR A LENGTH OF 3.18[.125] FROM OPPOSITE END, ALL OVER 1.27µm[.000050] MIN NICKEL.
- 3 0.76µm[.000030] MIN GOLD FOR A LENGTH OF 2.54[.100] MIN FROM MATING END, 2.54µm[.000100] MIN TIN FOR A LENGTH OF 3.18[.125] FROM OPPOSITE END, ALL OVER 1.27µm[.000050] MIN NICKEL.



RECOMMENDED PC BOARD MOUNTING DIMENSIONS

**COPYRIGHT 2005  
 TYCO ELECTRONICS CORP  
 ALL RIGHTS RESERVED**

3	5207828-4
2	5207828-3
CONTACT FINISH	PART NO

THIS DRAWING IS A CONTROLLED DOCUMENT.		DWN G.PETERS 08SEP05	Tyco Electronics Corporation	
DIMENSIONS: INCHES		CHK S.BOLASH 08SEP05	Harrisburg, PA 17105-3608	
TOLERANCES UNLESS OTHERWISE SPECIFIED:		APVD M.WALMSLEY 08SEP05	NAME	
0 PLC ± -	1 PLC ± -	PRODUCT SPEC	RECEPTACLE ASSEMBLY, SIZE 3,	
2 PLC ± 0.13 [.005]	3 PLC ± -	APPLICATION SPEC	25 POSN, VERTICAL,	
4 PLC ± -	ANGLES ± 2°	108-40025	AMPLIMITE HD-20	
MATERIAL	FINISH	WEIGHT -	SIZE A2	CAGE CODE 00779
1	CONTACTS: SEE TABLE	CUSTOMER DRAWING	DRAWING NO C=5207828	RESTRICTED TO -
			SCALE 4:1	SHEET 1 of 1
			REV 0	