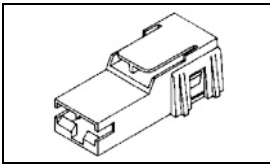


520961-1 Product Details

[Share](#) [Print](#) [Email](#)



520961-1

TE Internal Number: 520961-1
 Active

[View 3D PDF](#)

Positive Lock Connectors

Always EU RoHS/ELV Compliant (Statement of Compliance)

Product Highlights:

- Connector
- Not Preloaded
- Connector Style = Plug
- Accepts Contact Gender = Receptacle
- Mating Area Interface Dimensions = 6.35 mm

[View all Features](#)

Quick Links

- ▶ [Pricing & Availability](#)
- ▶ [Search for Tooling](#)
- ▶ [Product Feature Selector](#)
- ▶ [Contact Us About This Product](#)

[Add to My Part List](#) [Request Sample](#) [Find Similar Products](#) [Buy Product](#)

Documentation & Additional Information

Product Drawings:

- [HOUSING, POSITIVE- LOCK, .250 SERIES, MK I \(PDF, English\)](#)

Catalog Pages/Data Sheets:

- [Positive Lock Receptacles \(PDF, English\)](#)

Product Specifications:

- None Available

Application Specifications:

- [Series 250 Positive Lock MK 1 Receptacle Connectors \(PDF, English\)](#)

Instruction Sheets:

- None Available

CAD Files: [\(CAD Format & Compression Information\)](#)

- [2D Drawing \(DXF, Version AA\)](#)
- [3D Model \(IGES, Version AA\)](#)
- [3D Model \(STEP, Version AA\)](#)

[List all Documents](#)

Additional Information:

- [Product Line Information](#)

Related Products:

- [Tooling](#)

Product Features (Please use the Product Drawing for all design activity)

Product Type Features:

- [Product Type](#) = Connector
- [Receptacle Style](#) = Straight
- [Color](#) = Black
- [Keyed](#) = No

Dimensions:

- [Mating Area Interface Dimensions \(mm \[in\]\)](#) = 6.35 [.250]

Body Features:

- [Material](#) = Nylon 6/6
- [Position Keyed](#) = None

Contact Features:

- [Accepts Contact Gender](#) = Receptacle

Housing Features:

- [Connector Style](#) = Plug
- [UL Flammability Rating](#) = UL 94V-2

Configuration Features:

- [Preloaded](#) = No
- [Number of Positions](#) = 1

Industry Standards:

- [RoHS/ELV Compliance](#) = RoHS compliant, ELV compliant
- [Lead Free Solder Processes](#) = Not relevant for lead free process
- [RoHS/ELV Compliance History](#) = Always was RoHS compliant

Other:

- [Line](#) = Mark I
- [Brand](#) = AMP

Corporate Information

- [About TE](#)
- [Investors](#)
- [News Room](#)
- [Supplier Portal](#)
- [Careers](#)
- [Terms & Conditions](#)
- [Privacy Policy](#)

Quick Links

- [Distributor Inventory](#)
- [Product Cross Reference](#)
- [Documents & Drawings](#)
- [Product Compliance Support Center](#)
- [Site Map](#)

Customer Support

- [Email or Chat With Us](#)
- [Find a Phone Number](#)
- [Knowledge Base](#)
- [Manage Your Account](#)



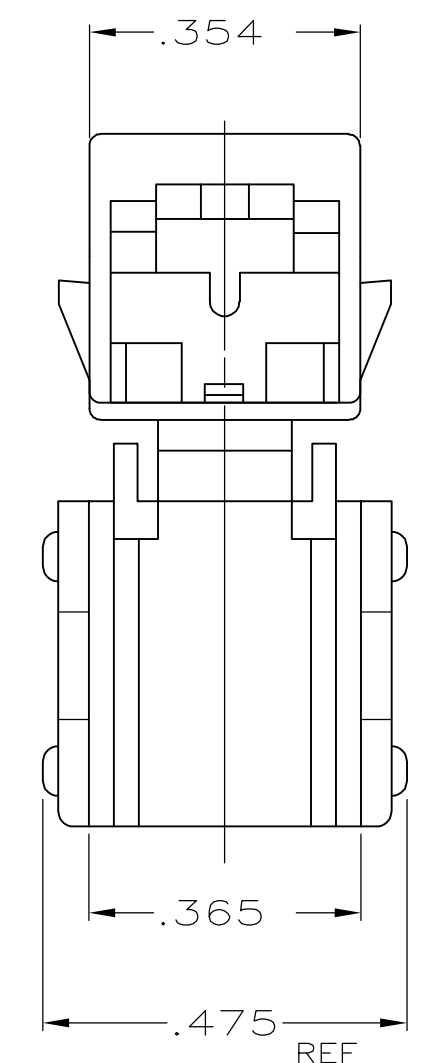
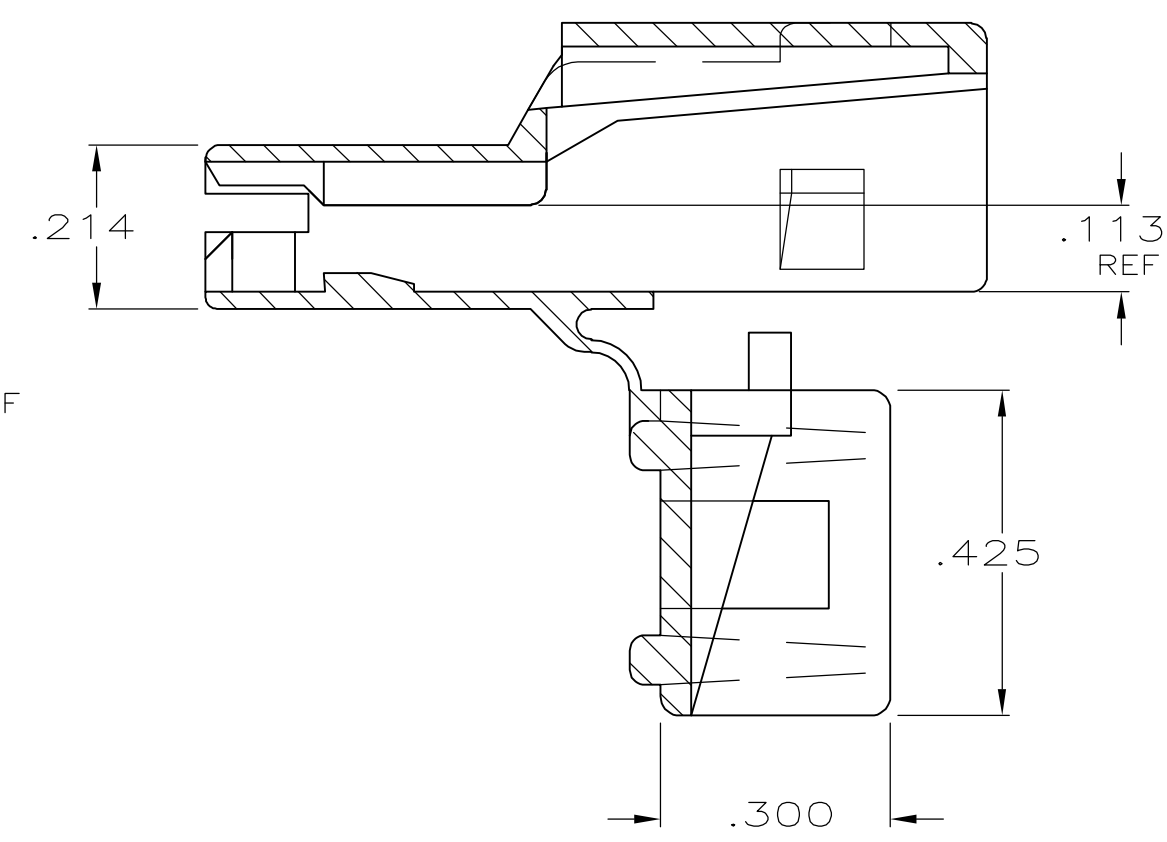
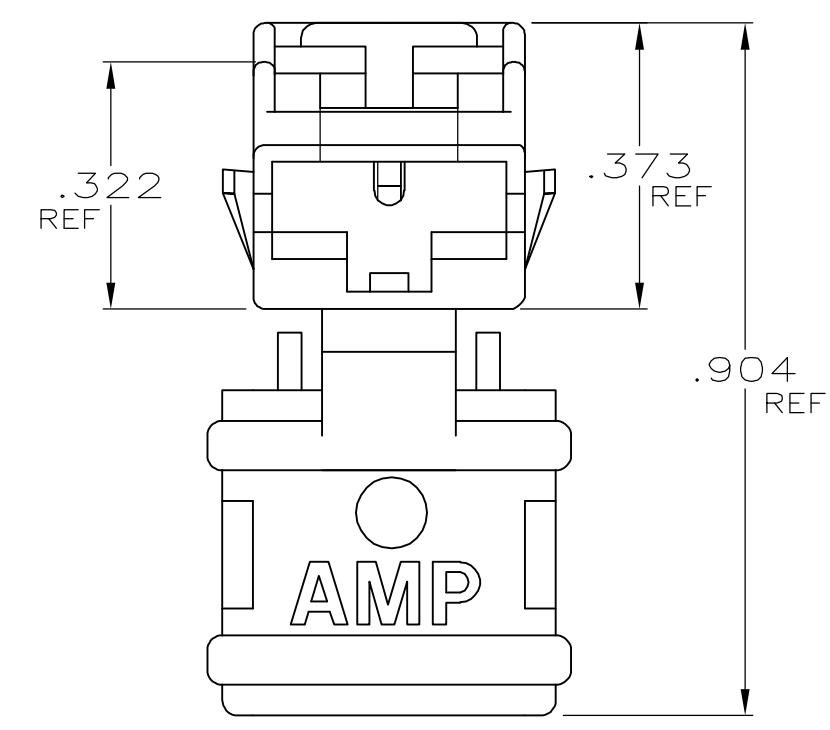
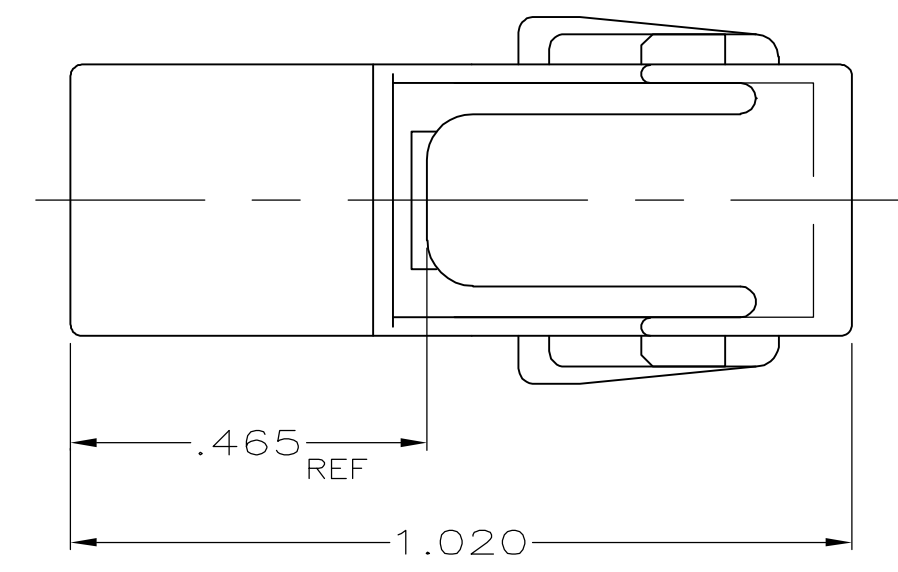
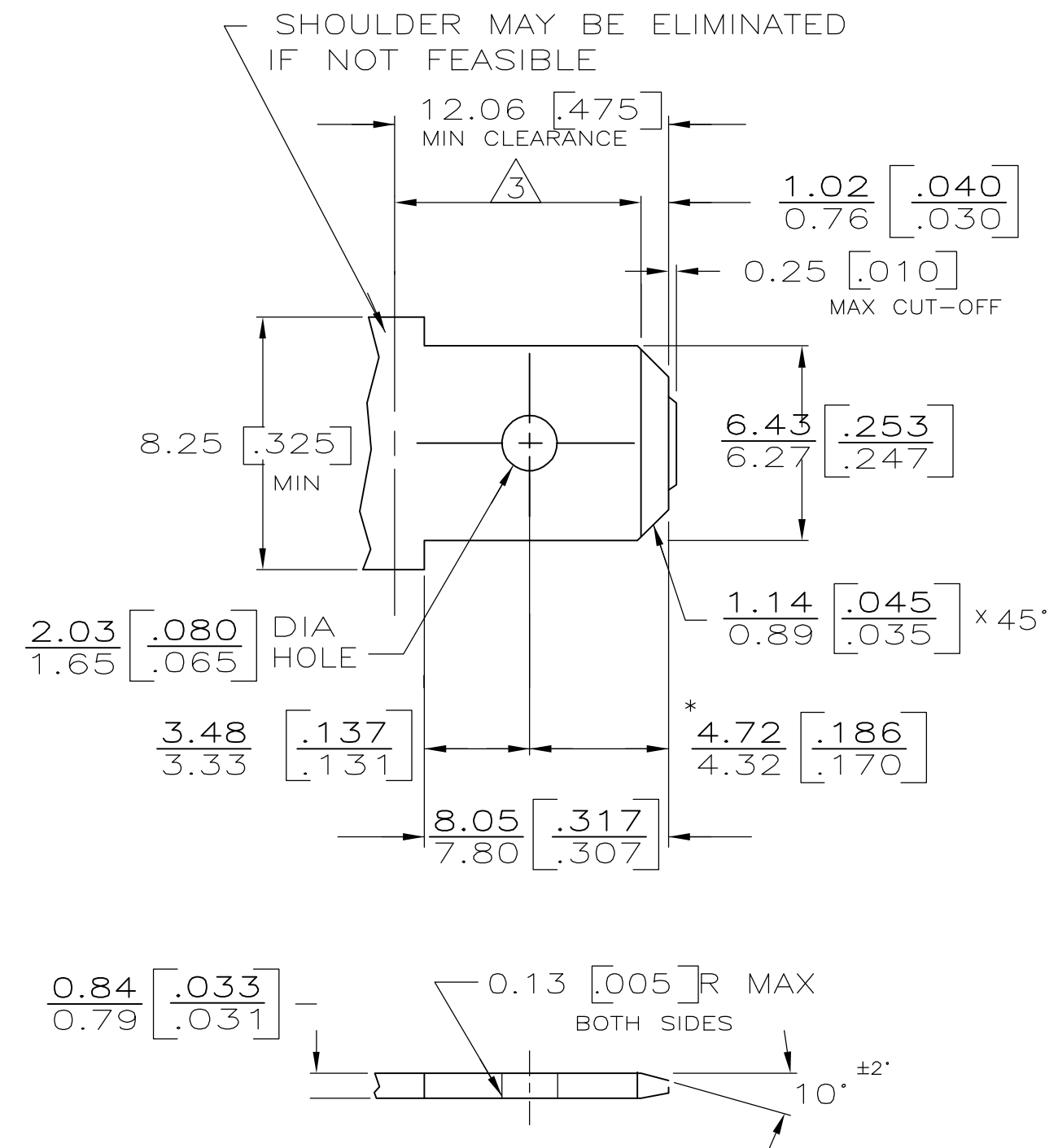
Keep Me Informed

THIS DRAWING IS UNPUBLISHED. RELEASED FOR PUBLICATION
 © COPYRIGHT BY TYCO ELECTRONICS CORPORATION. ALL RIGHTS RESERVED.

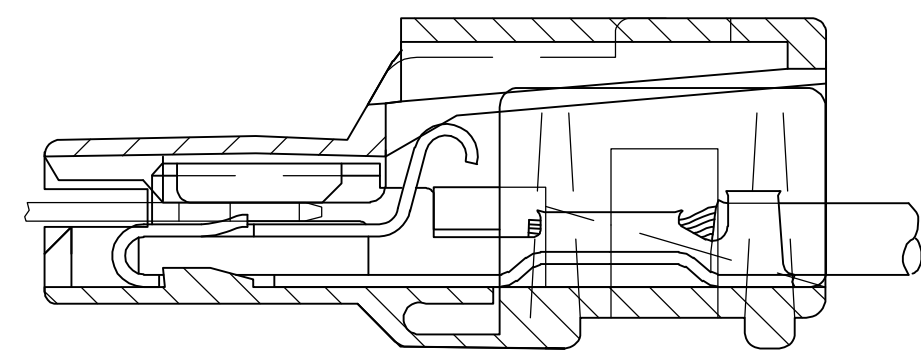
LOC		DIST		REVISIONS			
AF	50	P	LTR	DESCRIPTION	DATE	DWN	APVD
		R1		REV PER ECR 06-000652	17JAN06	JR	ED

SUGGESTED MATING TAB

PRELIMINARY - NOT FOR PRODUCTION



- 1 - MATL: 1/2H BRASS OR NICKEL PL STEEL.
- 2 - NO BURRS PERMISSIBLE AT HOLE.
- 3 - MUST BE FLAT WITHIN 0.076 [.003] OVER THIS LENGTH.
- 4 - TIN PLATING IS REQUIRED ON BRASS WHEN TERMINAL TEMP. IS OVER 225° F.
- 5 - HOLE MUST BE SYMMETRICAL ABOUT TAB Q WITHIN 0.076 [.003]
- * TO BE USED ONLY WHEN SHOULDER IS ELIMINATED.



ASSEMBLY VIEW

BLACK	4/6 NYLON, V2	1 520961-4
NATURAL	6/6 NYLON, V2	520961-3
NATURAL	66/6 NYLON, V0	1 520961-2
BLACK	6/6 NYLON, V2	520961-1
FINISH- COLOR	MATERIAL	PART NO

THIS DRAWING IS A CONTROLLED DOCUMENT.		DWN	JR RUTH	1/5/89	Tyco Electronics Corporation Harrisburg, PA 17105-3608
DIMENSIONS: INCHES		CHK	MS FEHER	1/5/89	
TOLERANCES UNLESS OTHERWISE SPECIFIED:		APVD	J GILLESPIE	3/7/89	
0 PLC ± - 1 PLC ± - 2 PLC ± - 3 PLC ± .010 4 PLC ± - ANGLES ± - FINISH SEE TABLE		NAME	HOUSING, POSITIVE-LOCK, .250 SERIES, MK I		
MATERIAL	SEE TABLE	WEIGHT	-	SIZE	A2
CUSTOMER DRAWING		CAGE CODE	00779	DRAWING NO	C=520961
SCALE		4:1	SHEET	1 of 1	REV
					R1