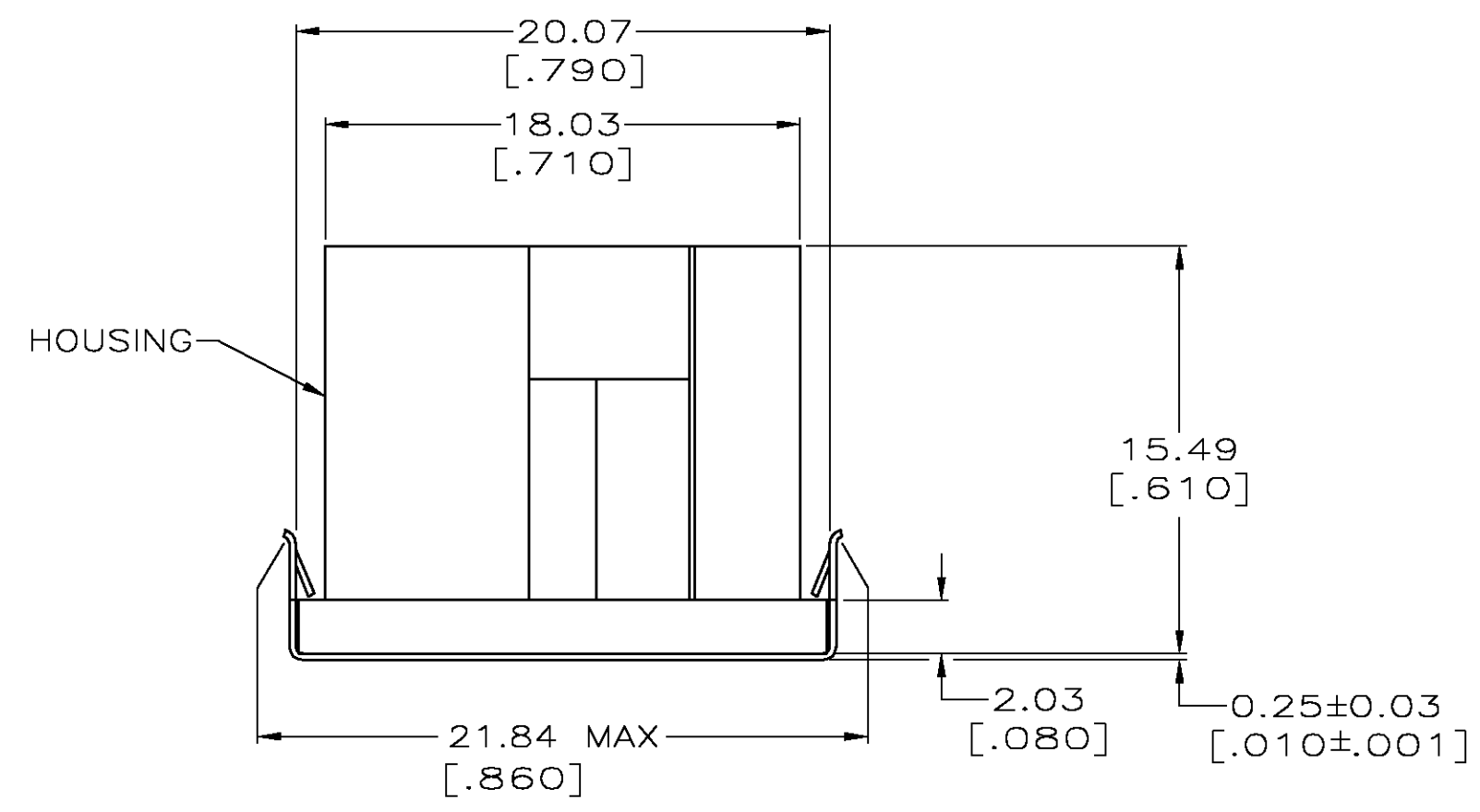
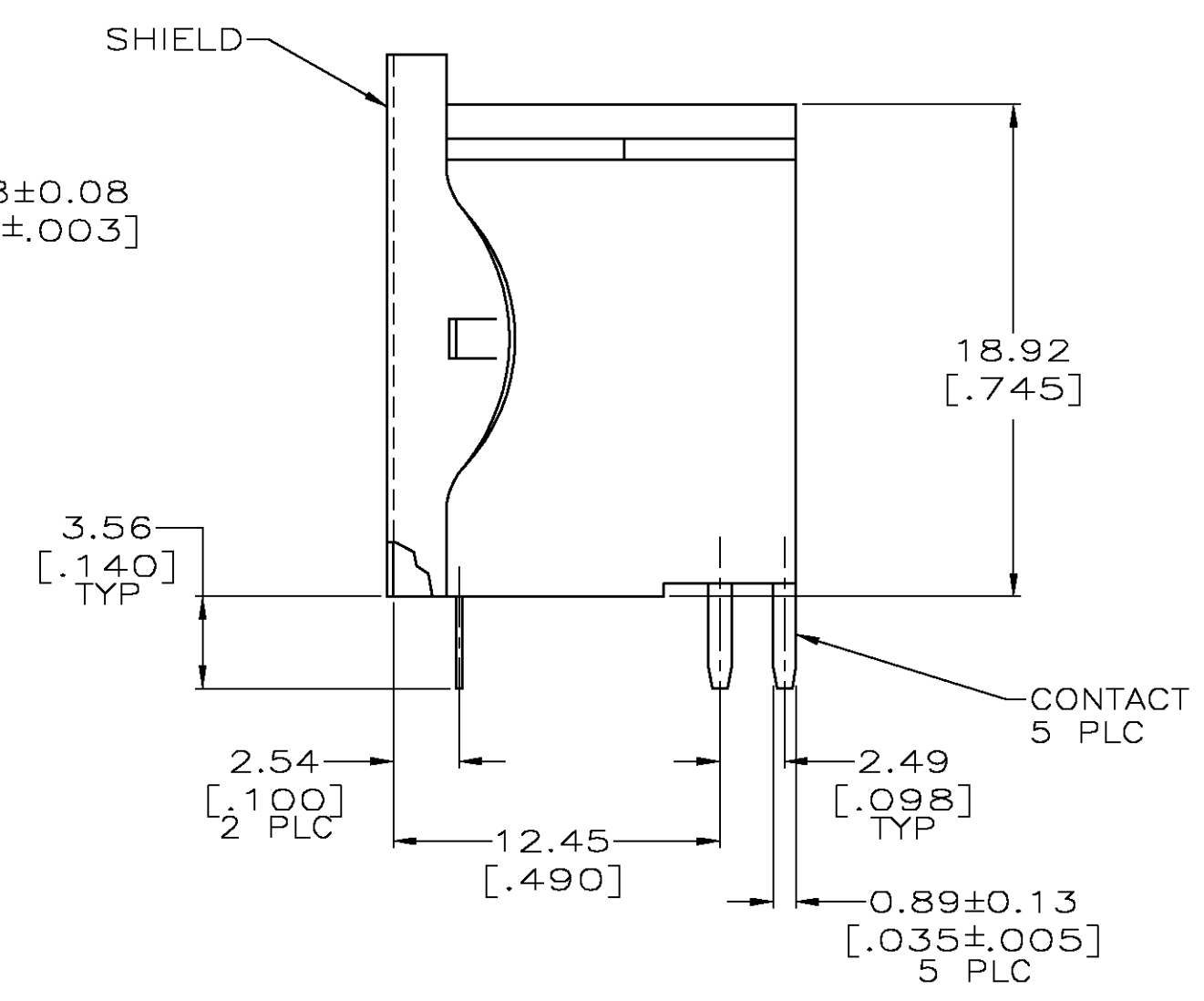
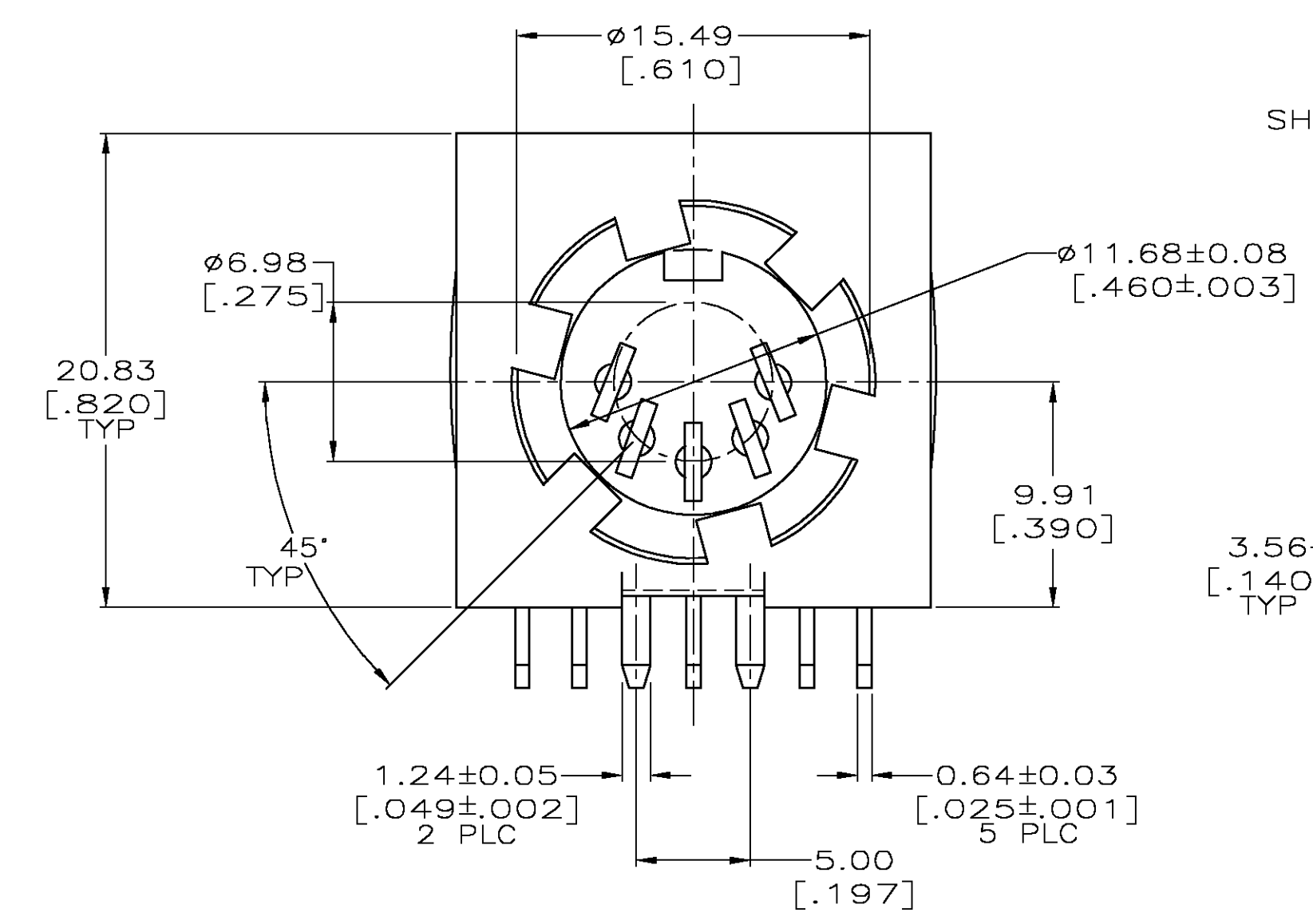


THIS DRAWING IS UNPUBLISHED. RELEASED FOR PUBLICATION
 © COPYRIGHT BY TYCO ELECTRONICS CORPORATION. ALL RIGHTS RESERVED.

LOG	DIST	REVISIONS			
P	LTR	DESCRIPTION	DATE	DWN	APVD
GP	00	0	RELEASED PER EC 0513-0333-04	11-12-04	LV JG



- ① HOUSING: NYLON, UL 94V-0 RATED, BLACK.
- ② SHIELD & CONTACTS: BRASS PER ASTM B 36.
- ③ SHIELD & CONTACTS: 2.54μm [.000100] MIN TIN OVER 1.27μm [.000050] MIN NICKEL.



GANG OF TUBES	5212044-1
PACKAGING TYPE	PART NO

THIS DRAWING IS A CONTROLLED DOCUMENT.		DWN L. VARELA - DOCK5 12-11-04	Tyco Electronics Corporation Harrisburg, PA 17105-3608
DIMENSIONS: mm[INCHES]		CHK C. ROHDE 12-11-04	
TOLERANCES UNLESS OTHERWISE SPECIFIED:		APVD M. WALMSLEY 12-11-04	NAME RECEPTACLE ASSEMBLY, 90 DEGREE PCB, 5 POSITION, W/SHIELDING, CIRCULAR DIN
0 PLC ± - 1 PLC ± - 2 PLC ± 0.25 [.010] 3 PLC ± - 4 PLC ± - ANGLES ± 2° FINISH		PRODUCT SPEC 108-10047 APPLICATION SPEC 114-40025	
MATERIAL ①-②		WEIGHT -	SIZE CAGE CODE DRAWING NO RESTRICTED TO A2 00779 C-5212044 -
CUSTOMER DRAWING		SCALE 4:1	SHEET 1 OF 1 REV 0

5212044

A