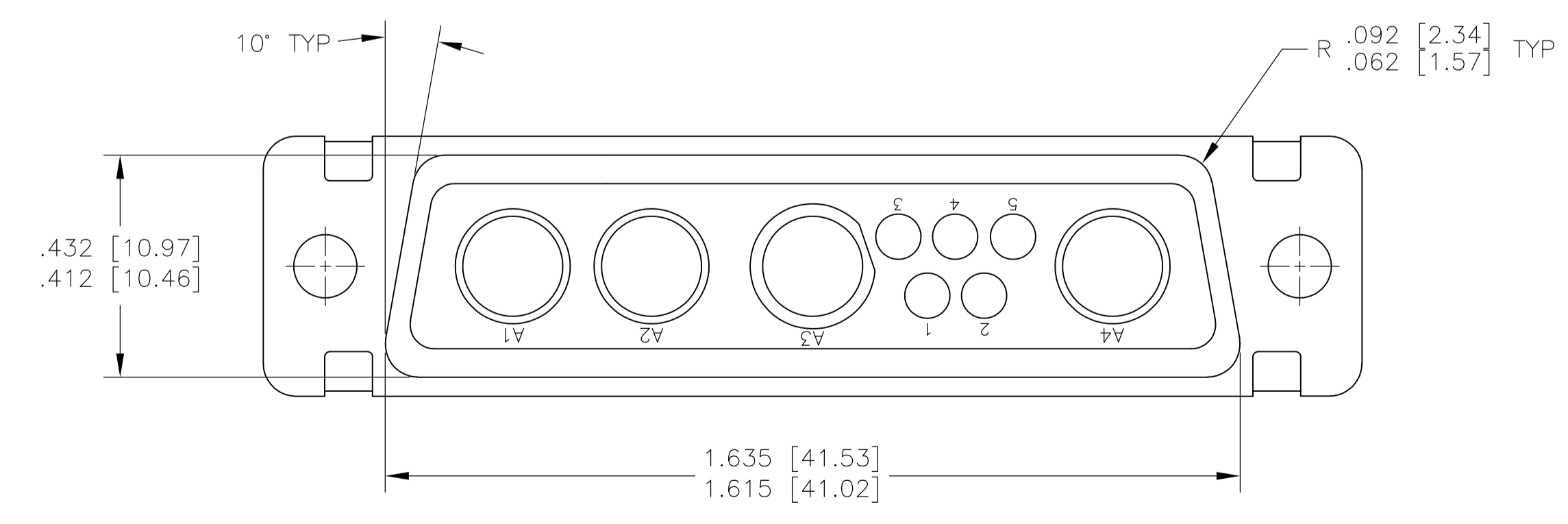
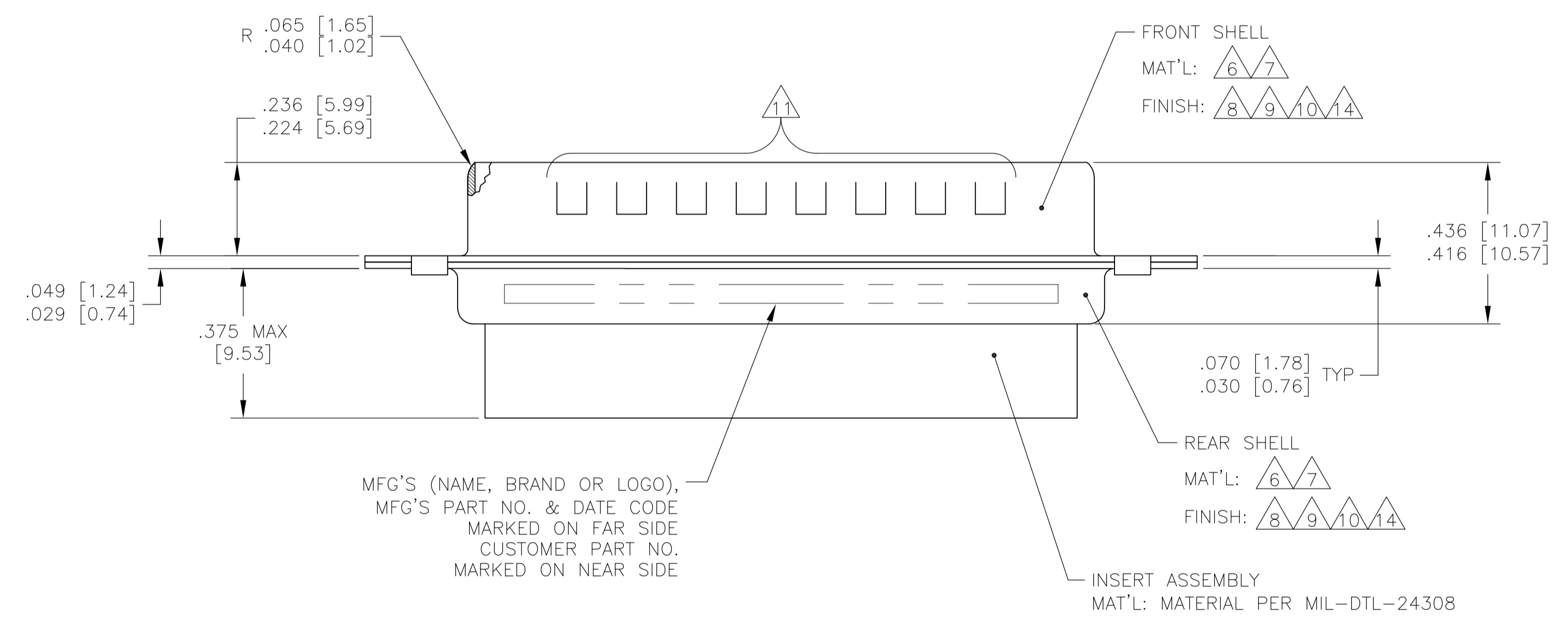
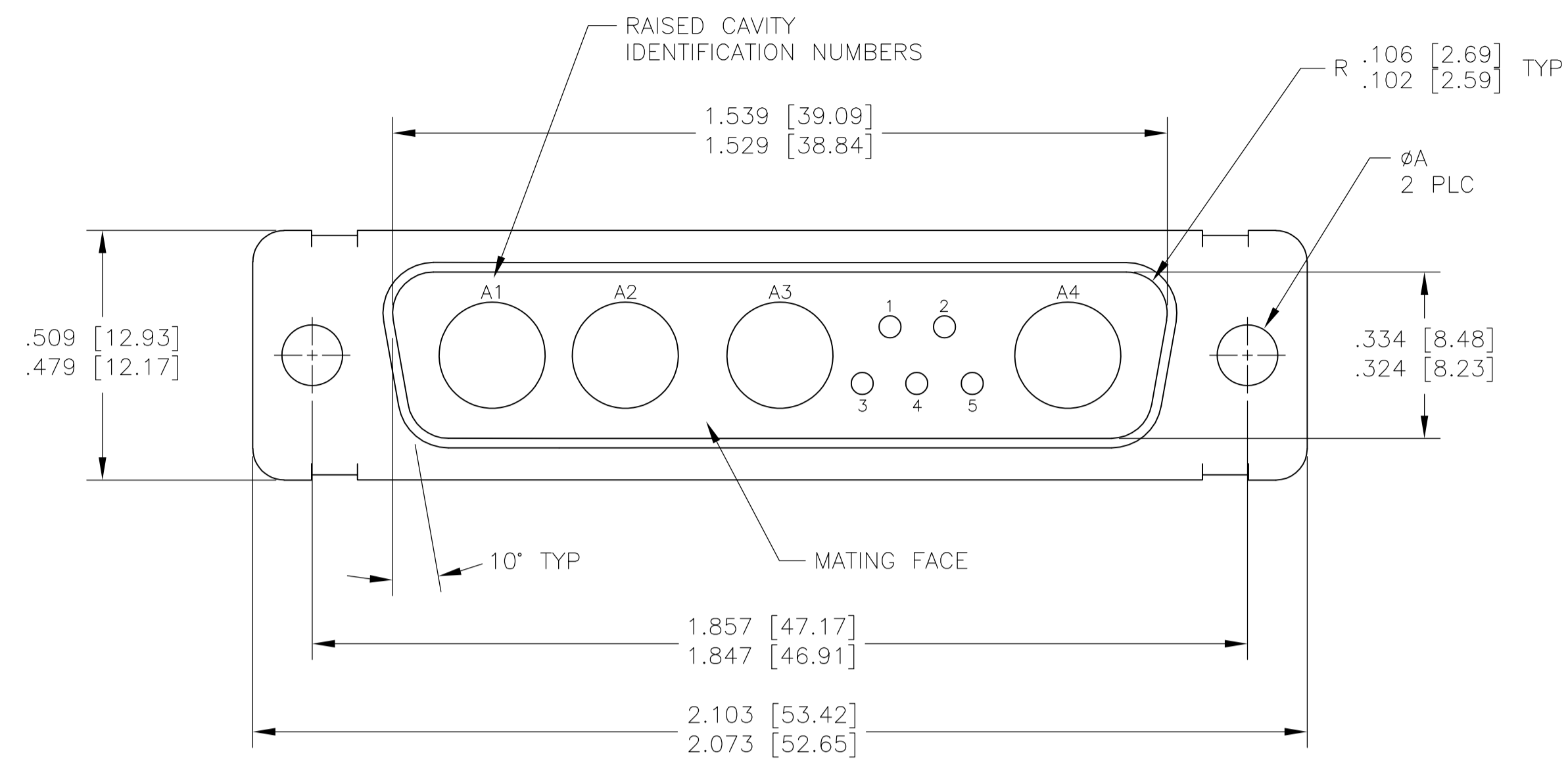


LOC		DIST		REVISIONS			
P	LTR	DESCRIPTION	DATE	DN	APVD		
W		REVISED PER ECO-15-016251	13NOV15	KG	CD		



- THIS CONNECTOR ASSEMBLY IS SUPPLIED WITH SIZE 20 METAL CONTACT RETENTION CLIPS INSTALLED IN THE INSERT ASSEMBLY.
- THIS CONNECTOR ASSEMBLY MATES WITH ANY 9C4, SIZE 3 RECEPTACLE CONNECTOR IN THE AMPLIMITE SERIES.
- MARK WITH .047 [1.19]-.062 [1.57] HIGH CHARACTERS. FAR SIDE REFERS TO THE WIDE SIDE OF THE KEYSTONE. FAR SIDE MARKINGS MAY BE SPLIT BETWEEN FRONT AND REAR SHELLS.
- PART NUMBER FOR ORDERING.
- THIS CONNECTOR ASSEMBLY IS DESIGNED TO ACCEPT SIZE 20 CRIMP TYPE PIN CONTACTS IN POSITIONS 1 THRU 5 (NOT SUPPLIED) AND SIZE 8 PIN CONTACTS IN POSITIONS A1 THRU A4 (NOT SUPPLIED).
- MATERIAL: STEEL PER ASTM-A-109 OR EQUIVALENT.
- MATERIAL: BRASS ALLOY PER ASTM-B-36.
- FINISH: GOLD PER MIL-G-45204 TYPE II, GRADE C, CLASS 1 OVER COPPER PER MIL-C-14550, CLASS IV.
- FINISH: CADMIUM PER QQ-P-416, TYPE II, CLASS 2 OVER COPPER PER MIL-C-14550, CLASS IV.
- FINISH: TIN PER ASTM-B-545 .000400 [0.0102] MIN THK OVER COPPER PER AMS2418 .000050 [.00127] MIN THK.
- GROUNDING INDENTS FOR 212498-4 & 5-212498-4 ONLY.
- DIMENSIONS AND TOLERANCES PER ANSI Y14.5M-1982.
- THIS DRAWING SHALL BE INTERPRETED IN ACCORDANCE WITH APPLICABLE STANDARDS LISTED IN MIL-STD-100.
- FINISH: ZINC PLATE PER ASTM-B-633 .000200-.000400 THK WITH SUPPLEMENTARY CHROMATE (Cr3+).

[6][9]	.120 [3.05]	T5935-0103-007	212498-6	212498-6
[6][11][10]	.120 [3.05]	-	5-212498-4	5-212498-4
[6][14]	.120 [3.05]	-	5-212498-1	5-212498-1
[6][10][11]	.120 [3.05]	-	212498-4	212498-4
[7][8]	.154 [3.92]	311P405-11P-B-15	212498-3	212498-3
[7][8]	.120 [3.05]	311P405-11P-B-12	212498-2	212498-2
[6][9]	.120 [3.05]	-	212498-1	212498-1
REMARKS	ØA	[3] CUSTOMER P/N ON CONNECTOR	[3] MFG'S P/N ON CONNECTOR	[4] PART NO.

THIS DRAWING IS A CONTROLLED DOCUMENT.

DIMENSIONS: INCHES	TOLERANCES UNLESS OTHERWISE SPECIFIED:	DIN MANJUNATH G.M. 27-May-15	APVD CHARLES THOMAS 27-May-15	NAME
0 PLC ± -	1 PLC ± -	2 PLC ± -	3 PLC ± .005(0.13)	4 PLC ± ± 0°/30°
MATERIAL	FINISH	SIZE	CAGE CODE	DRAWING NO
		A1	00779	212498
CUSTOMER DRAWING		SCALE	SHEET	REV
		4:1	1 of 1	W

STE TE Connectivity

AMPLIMITE PLUG ASSEMBLY, CRIMP
SNAP, COAX MIX 9C4
SERIES 109, SHELL SIZE 3

Mouser Electronics

Authorized Distributor

Click to View Pricing, Inventory, Delivery & Lifecycle Information:

[TE Connectivity:](#)

[5-212498-4](#)