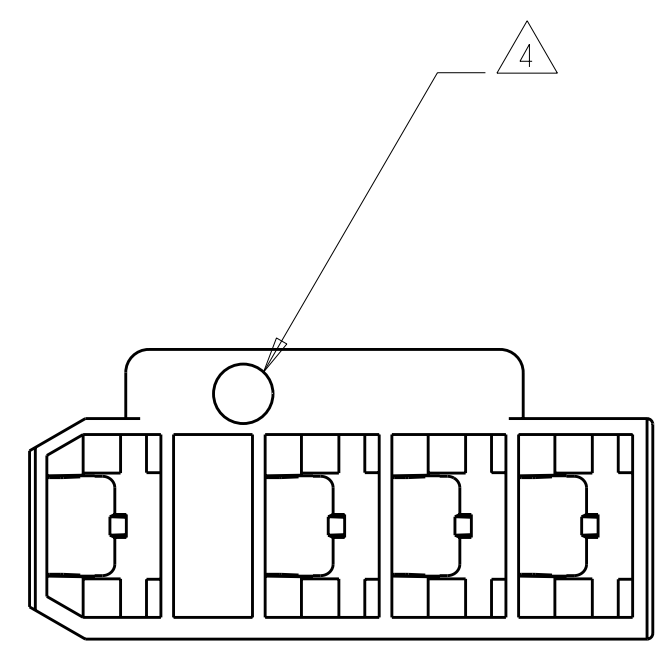
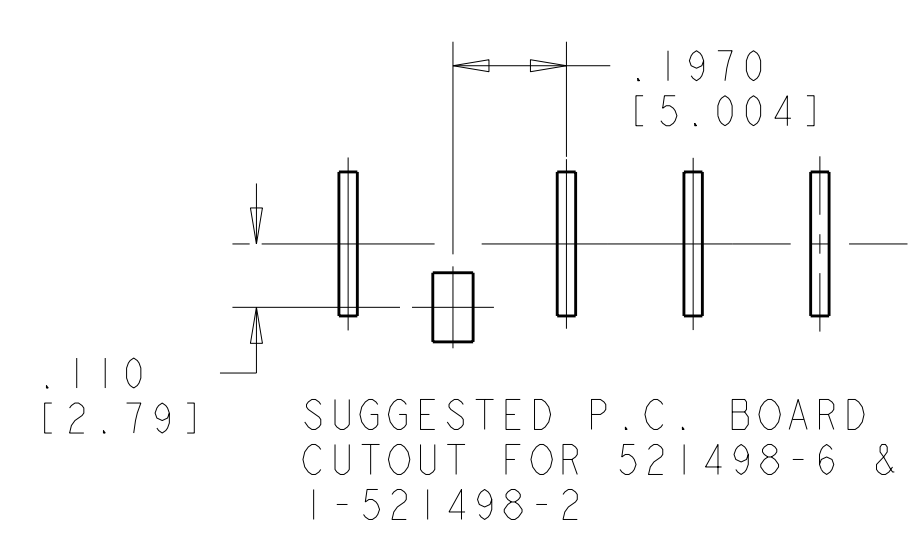
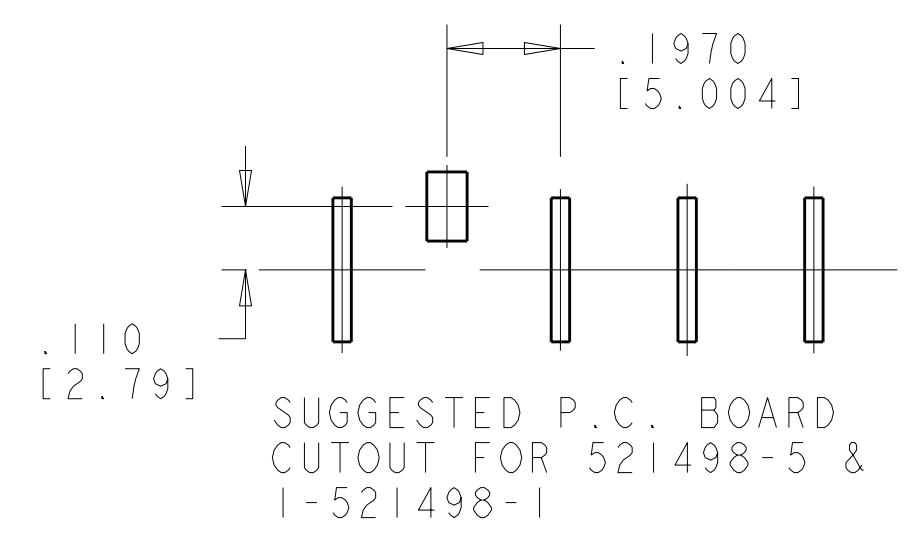
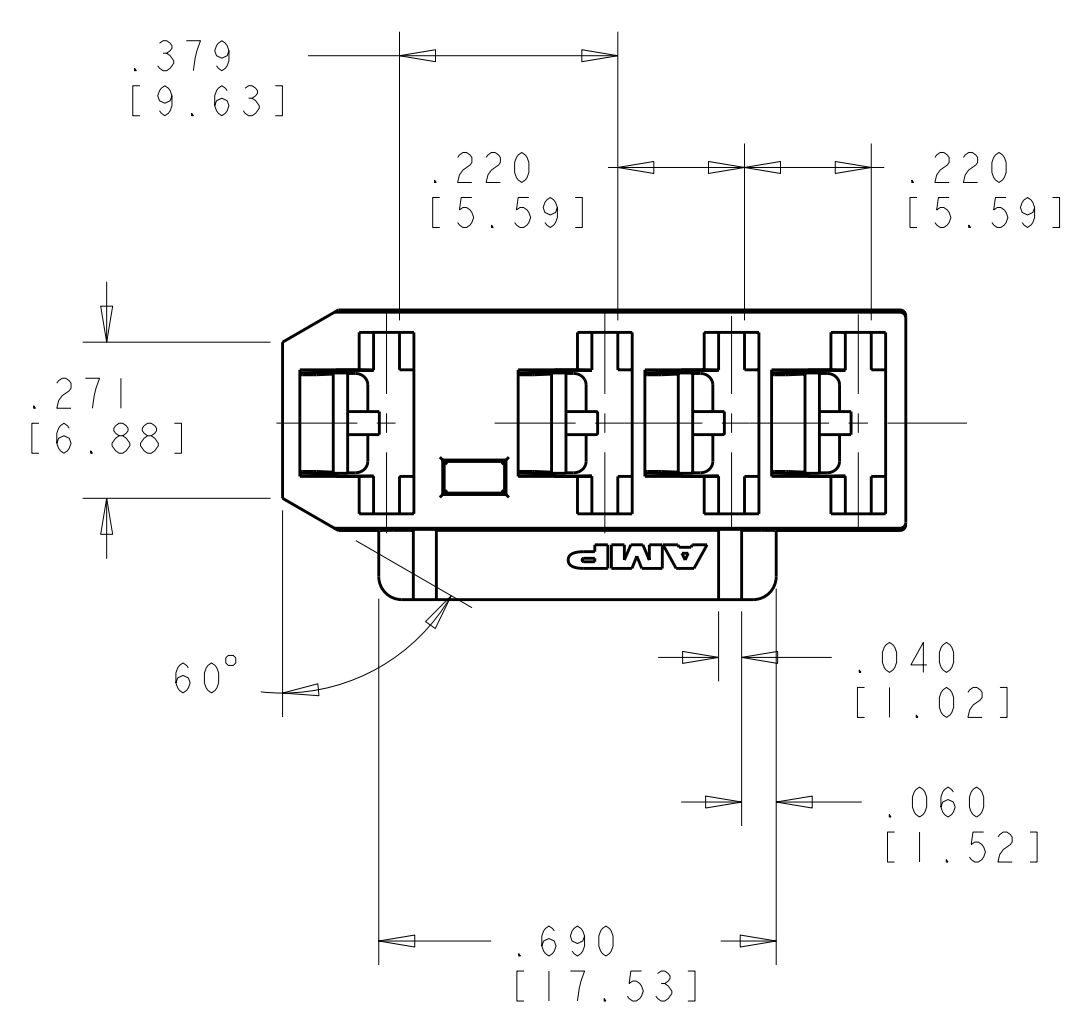
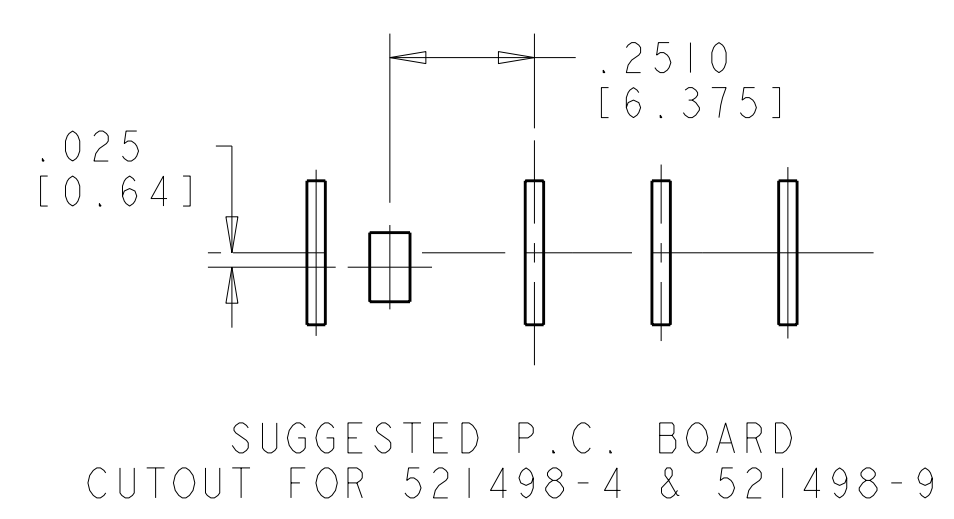
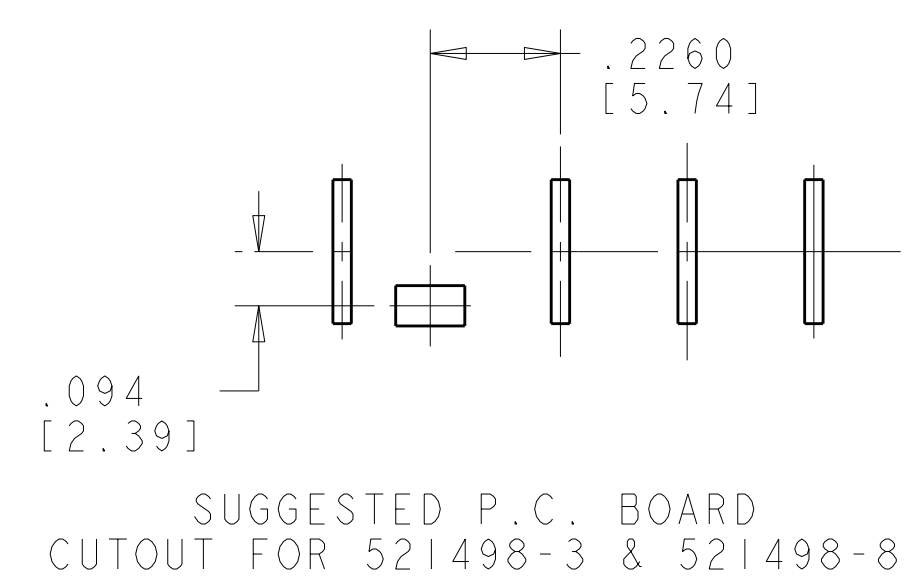
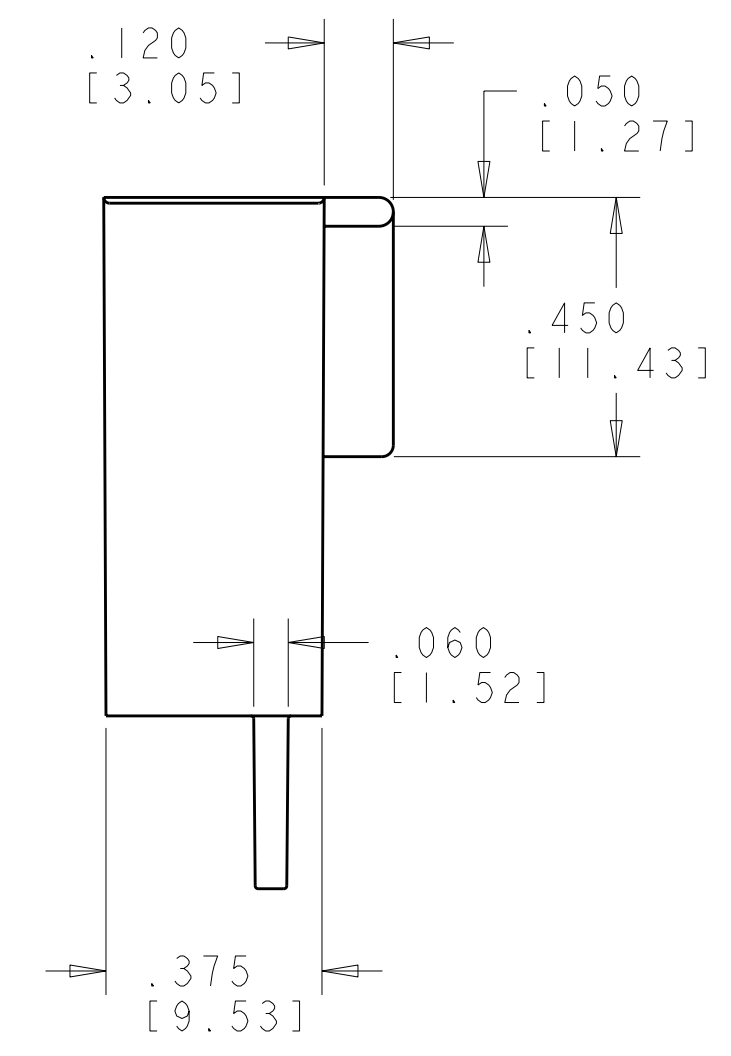
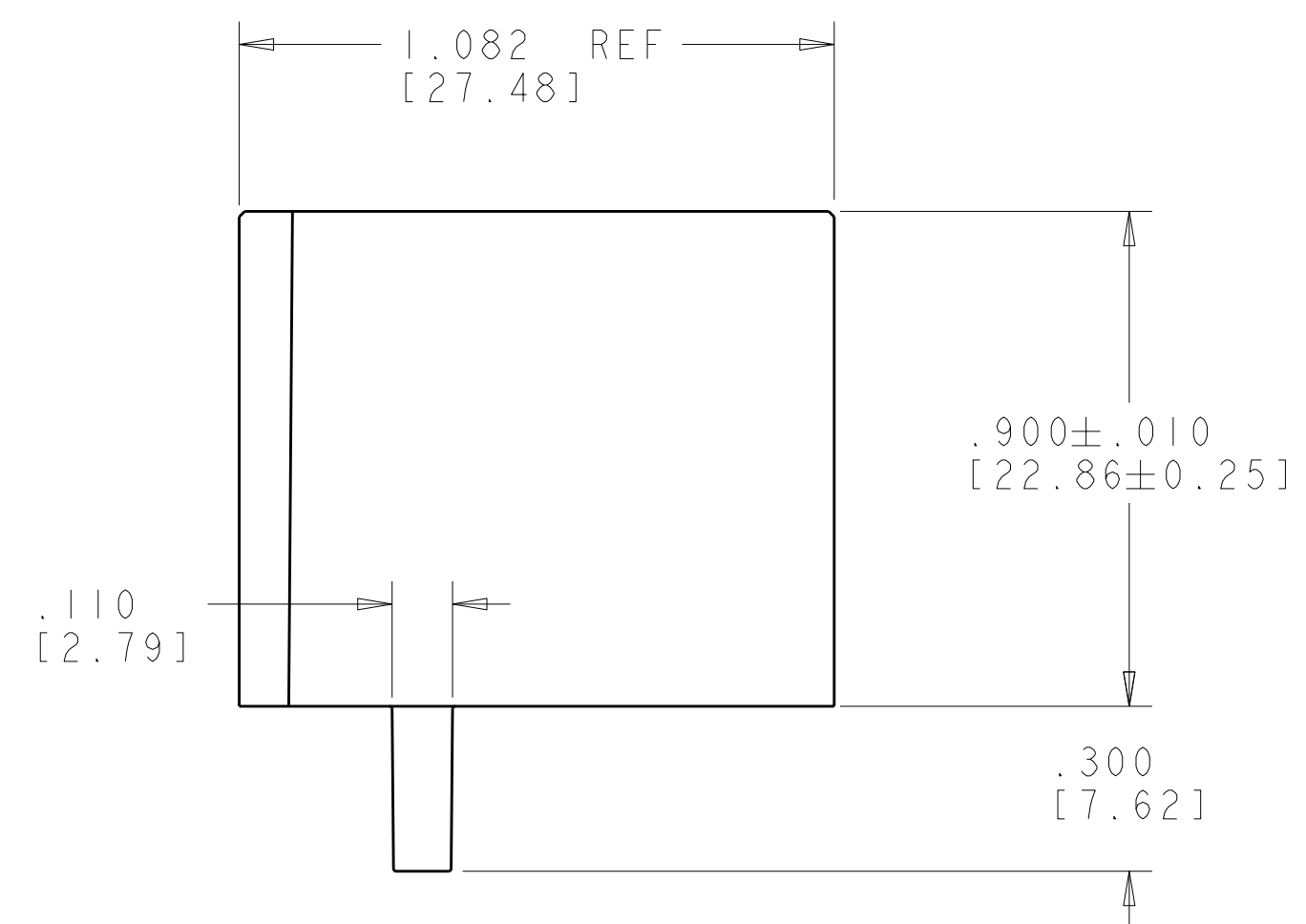
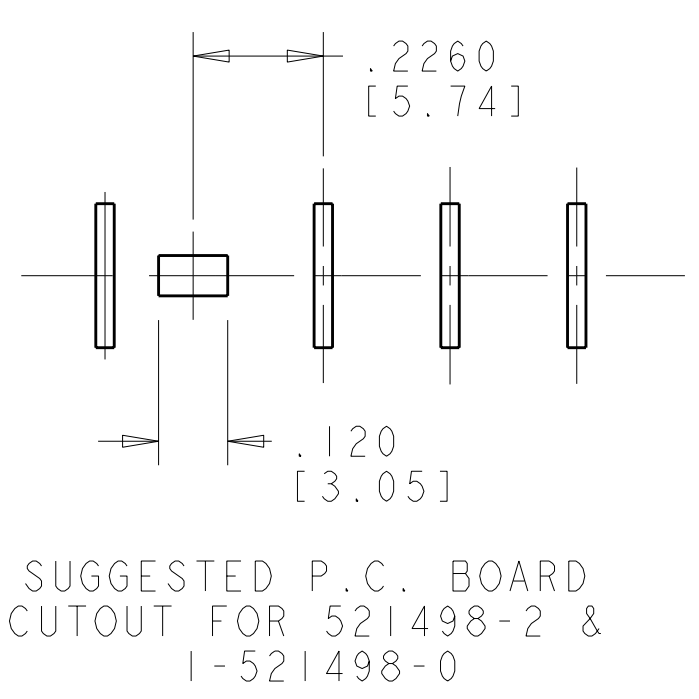
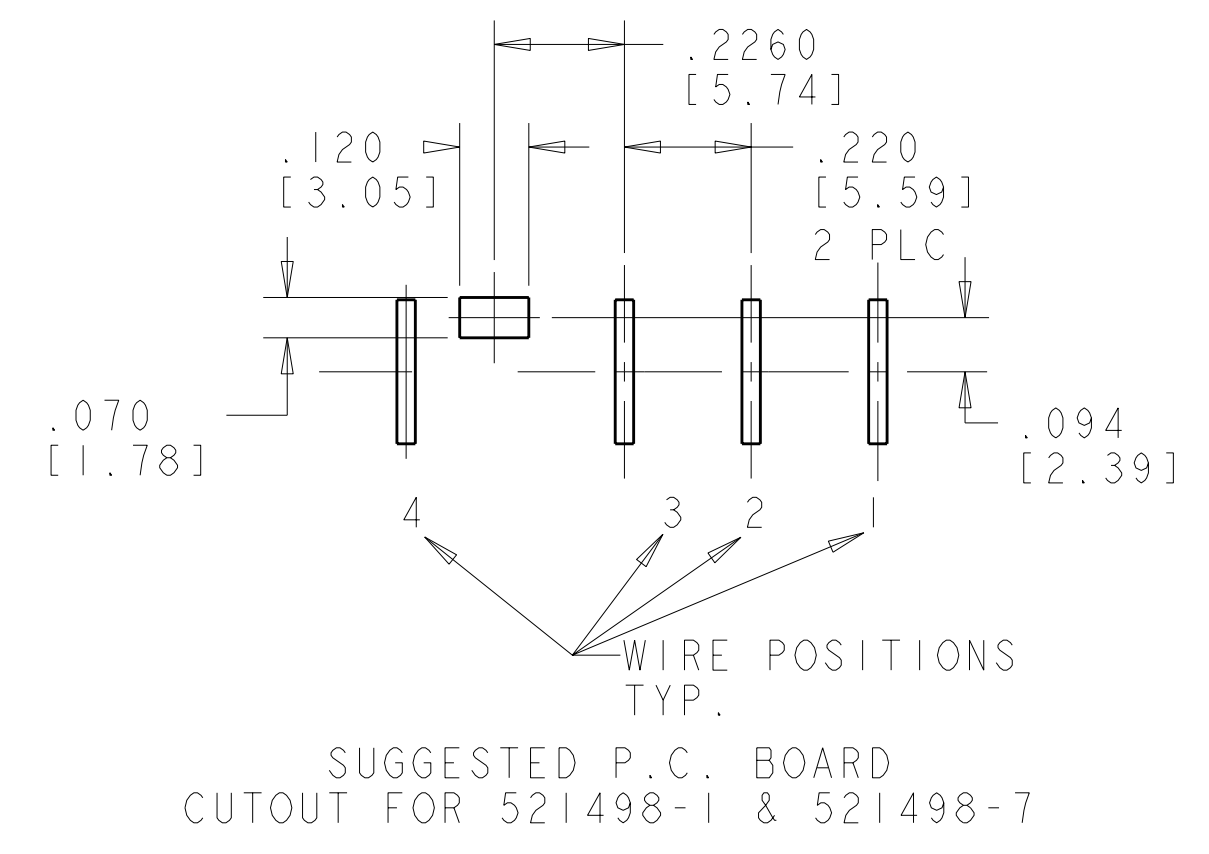


LOC	DIST	REVISIONS			
REV	DATE	DESCRIPTION	DATE	DWN	APVD
AF	50	M10	REVISED PER ECR-09-027342	18DEC2009	HMR PD



- FOR USE WITH TYCO ELECTRONICS 250 SERIES LOW INSERTION RECEPTACLES
 - ALL SUGGESTED P.C. BOARD CUTOUTS ARE SHOWN FROM THE COMPONENT SIDE.
- △ V-0 LETTERS THIS LOCATION FOR -7 THRU -12 PARTS ONLY.
- △5 BLUE COLOR MAY APPEAR GRAY



COLOR	MATERIAL	PART NUMBER
RED	NYLON, V-0 △	1-521498-2
WHITE	NYLON, V-0 △	1-521498-1
GREEN	NYLON, V-0 △	1-521498-0
BLACK	NYLON, V-0 △	521498-9
YELLOW	NYLON, V-0 △	521498-8
BLUE	NYLON, V-0 △ △5	521498-7
RED	NYLON, V-2	521498-6
WHITE	NYLON, V-2	521498-5
BLACK	NYLON, V-2	521498-4
YELLOW	NYLON, V-2	521498-3
GREEN	NYLON, V-2	521498-2
BLUE	NYLON, V-2	521498-1

DIMENSIONS: INCHES [mm]		TOLERANCES UNLESS OTHERWISE SPECIFIED:		DWN R. FLAIG 01OCT2002 CHK P. DESANTIS 01OCT2002 APVD P. DESANTIS 01OCT2002		Tyco Electronics Harrisburg, PA 17105-3608	
9 PLC ± 8 PLC ± 5 PLC ±.005(0.13) 4 PLC ± ANGLES ±1°		FINISH		NAME HOUSING, RECEPTACLE FASTON, .250 [6.35] SERIES		SIZE CAGE CODE DRAWING NO. RESTRICTED TO A100779C=521498	
MATERIAL		FINISH		WEIGHT		CUSTOMER DRAWING SCALE 3:1 SHEET 1 OF 1 REV M10	