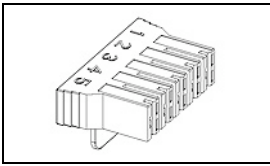


521780-1 Product Details

[Share](#) [Print](#) [Email](#)



521780-1

TE Internal Number: 521780-1
 Active

[View 3D PDF](#)

Positive Lock Connectors

Always EU RoHS/ELV Compliant (Statement of Compliance)

Product Highlights:

- Connector
- Not Preloaded
- Connector Style = Plug
- Accepts Contact Gender = Receptacle
- Mating Area Interface Dimensions = 6.35 mm

[View all Features](#)

Quick Links

- ▶ [Pricing & Availability](#)
- ▶ [Search for Tooling](#)
- ▶ [Product Feature Selector](#)
- ▶ [Contact Us About This Product](#)

[Add to My Part List](#) [Request Sample](#) [Find Similar Products](#) [Buy Product](#)

Documentation & Additional Information

Product Drawings:

- [HOUSING RECEPTACLE, POSITIVE-LOCK MKIII, 5 POSITION,...](#) (PDF, English)

Catalog Pages/Data Sheets:

- [Positive Lock HVAC Motor Connectors](#) (PDF, English)
- [Positive Lock Receptacles](#) (PDF, English)

Product Specifications:

- None Available

Application Specifications:

- None Available

Instruction Sheets:

- None Available

CAD Files: (CAD Format & Compression Information)

- [2D Drawing](#) (DXF, Version C1)
- [3D Model](#) (IGES, Version C1)
- [3D Model](#) (STEP, Version C1)

[List all Documents](#)

Additional Information:

- [Product Line Information](#)

Related Products:

- [Tooling](#)

Product Features (Please use the Product Drawing for all design activity)

Product Type Features:

- [Product Type](#) = Connector
- [Receptacle Style](#) = Straight
- [Color](#) = Natural
- [Keyed](#) = No
- [Polarization](#) = Yes

Dimensions:

- [Mating Area Interface Dimensions](#) (mm [in]) = 6.35 [.250]

Body Features:

- [Material](#) = Nylon 6/6
- [Position Keyed](#) = None

Contact Features:

- [Accepts Contact Gender](#) = Receptacle

Housing Features:

- [Connector Style](#) = Plug
- [Centerline](#) (mm [in]) = 7.11 [0.280]
- [UL Flammability Rating](#) = UL 94V-0

Configuration Features:

- [Preloaded](#) = No
- [Number of Positions](#) = 5

Industry Standards:

- [RoHS/ELV Compliance](#) = RoHS compliant, ELV compliant
- [Lead Free Solder Processes](#) = Not relevant for lead free process
- [RoHS/ELV Compliance History](#) = Always was RoHS compliant

Packaging Features:

- [Packaging Method](#) = Loose Piece/Bulk

Other:

- [Line](#) = Mark III
- [Brand](#) = TE Connectivity

Corporate Information

- [About TE](#)
- [Investors](#)
- [News Room](#)
- [Supplier Portal](#)

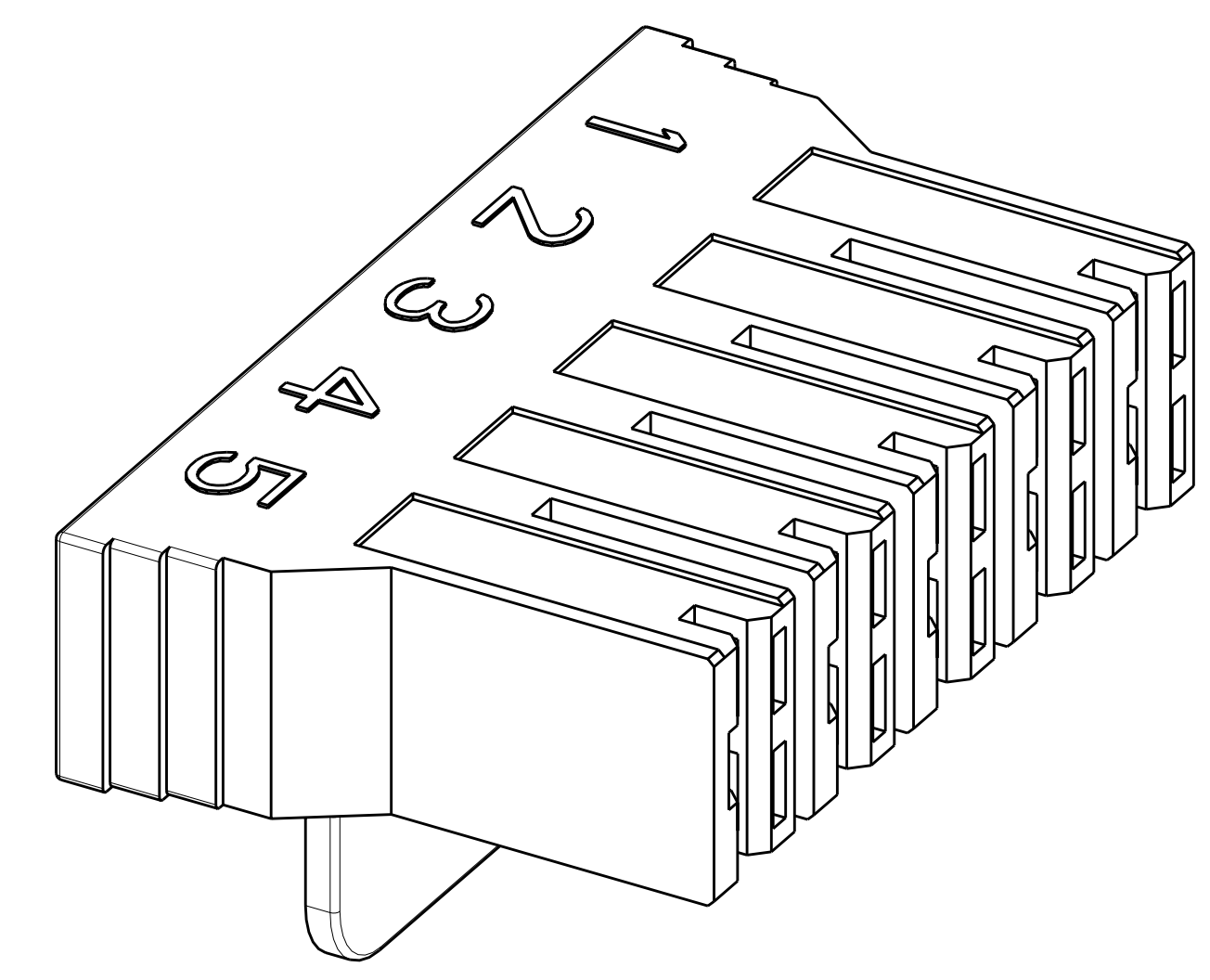
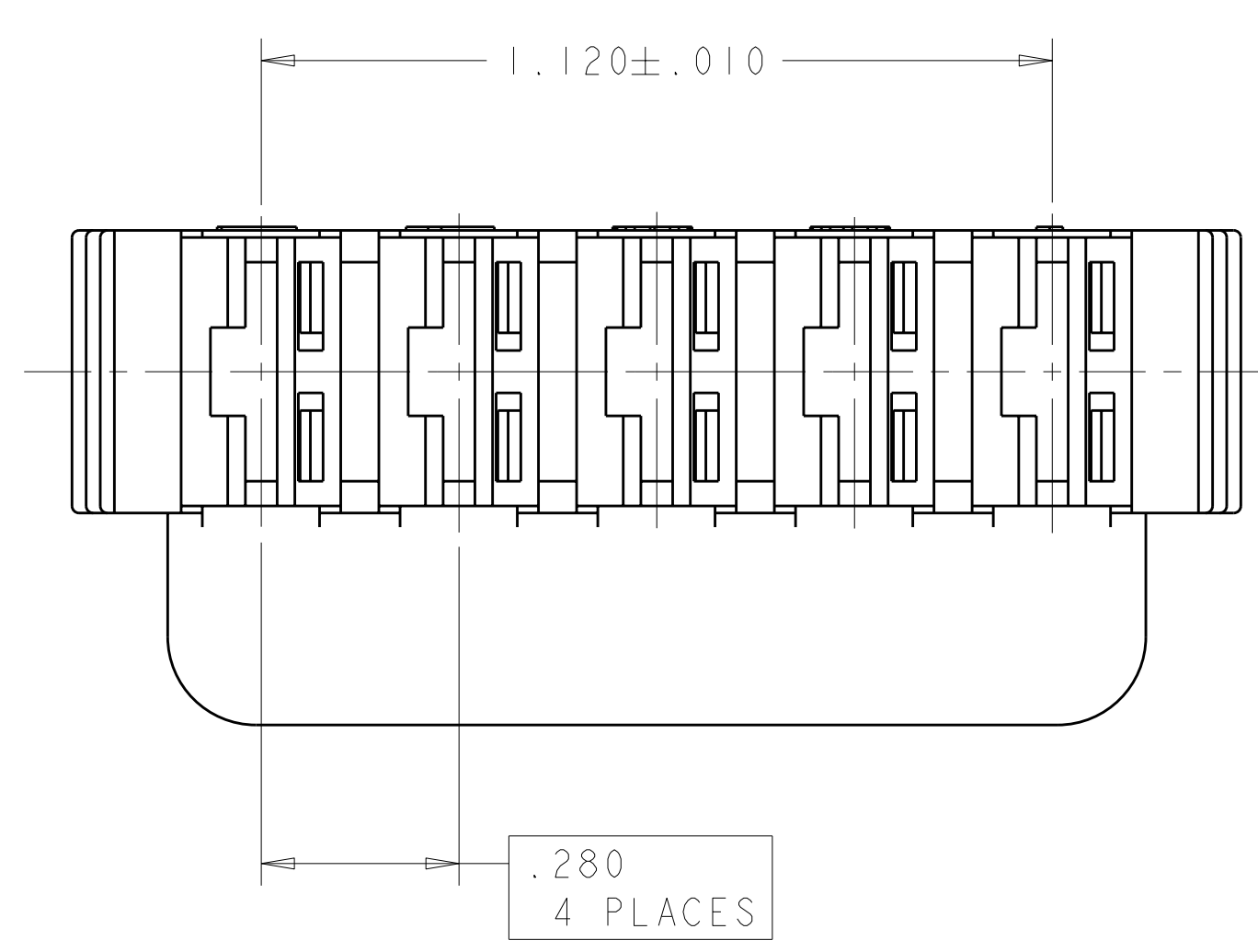
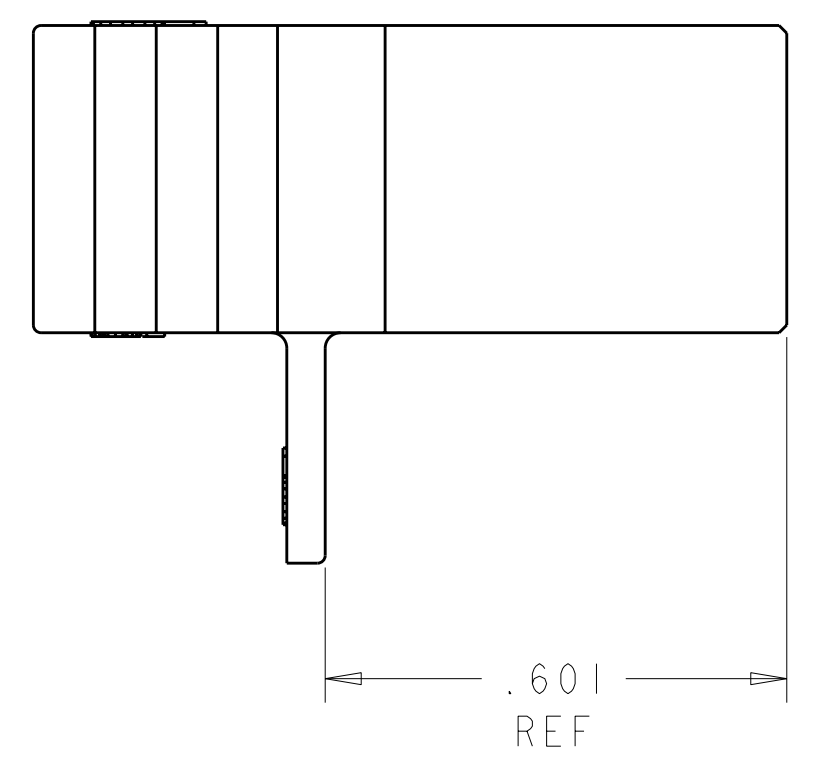
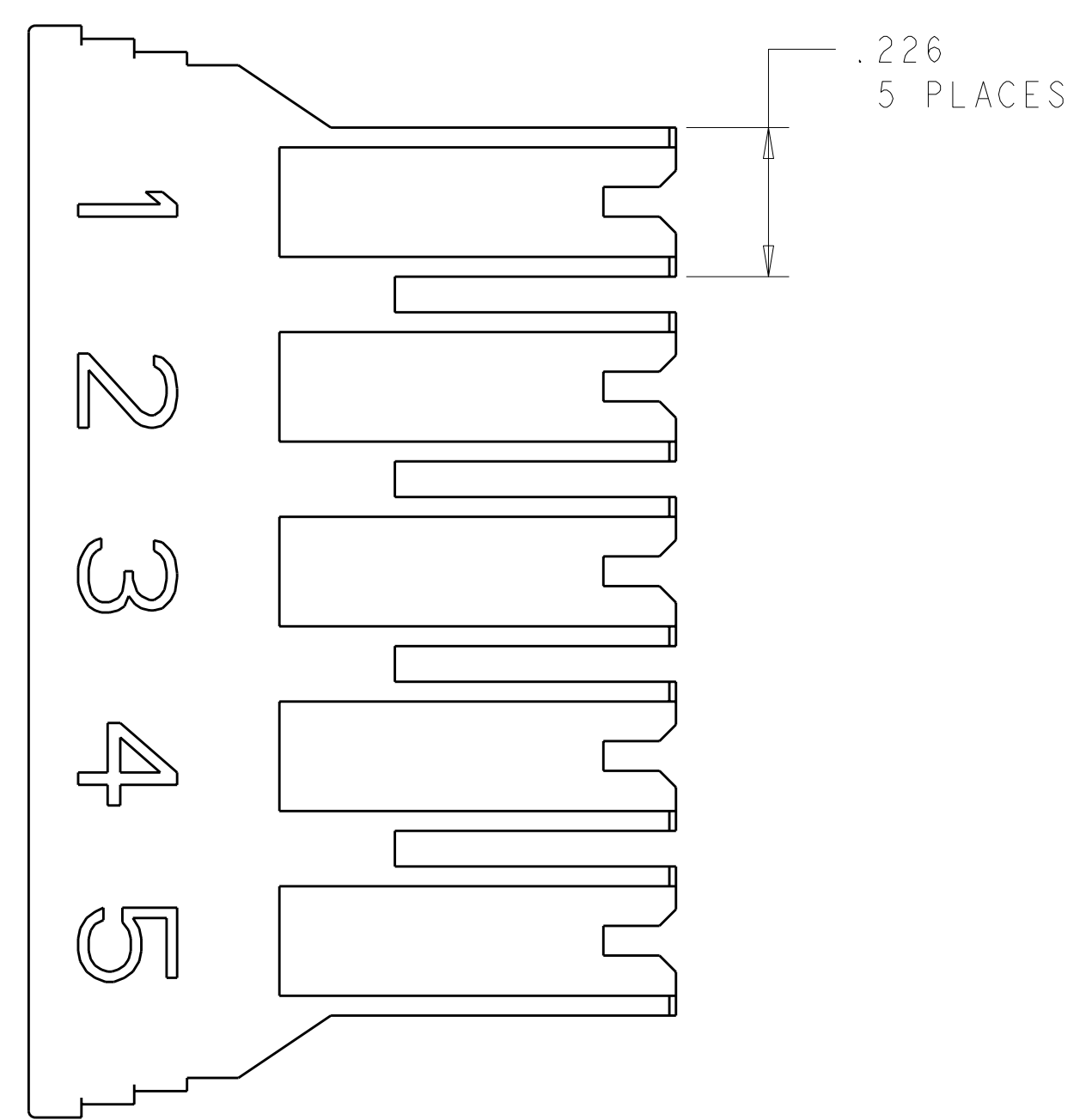
Quick Links

- [Distributor Inventory](#)
- [Product Cross Reference](#)
- [Documents & Drawings](#)
- [Product Compliance Support Center](#)

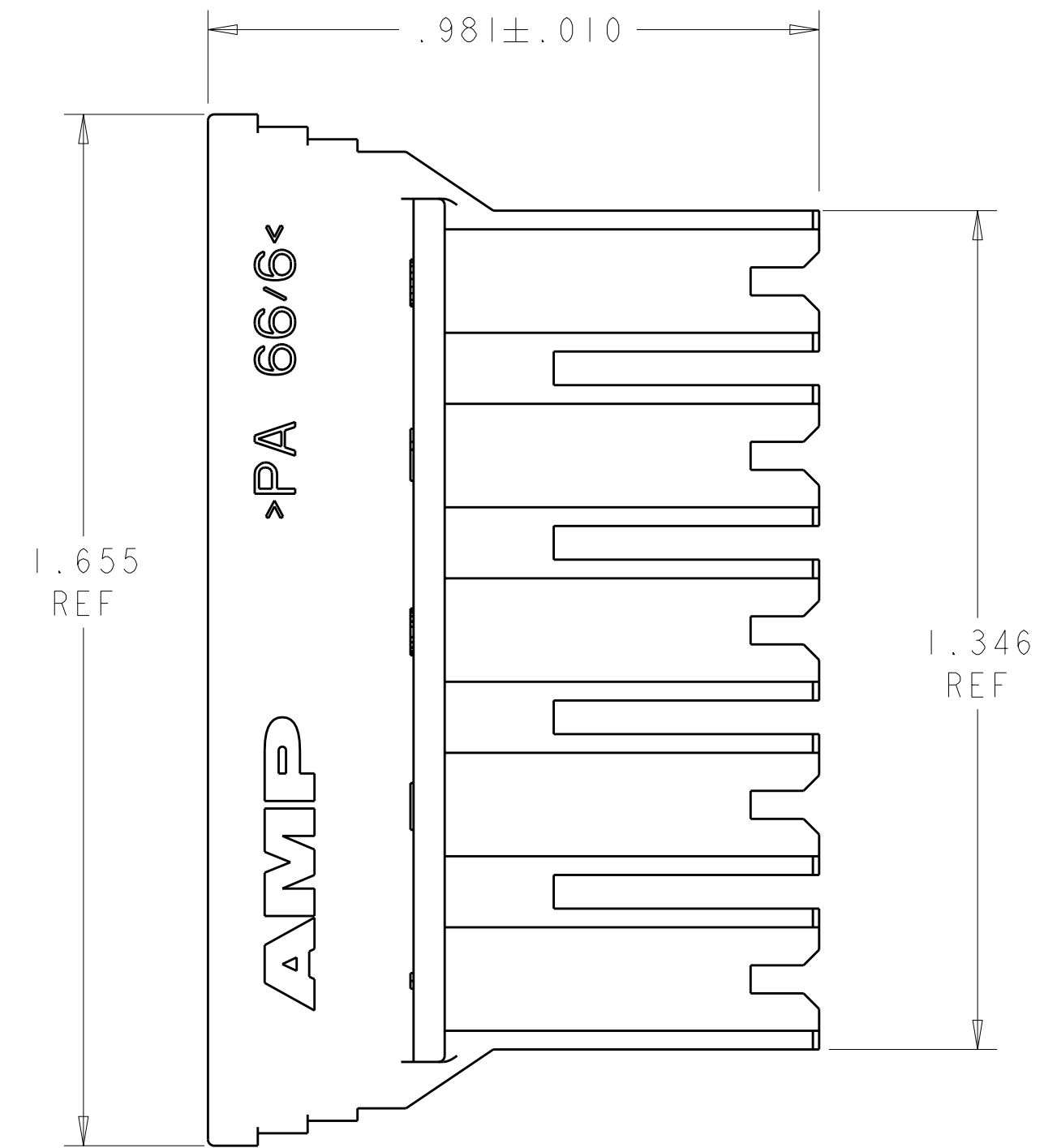
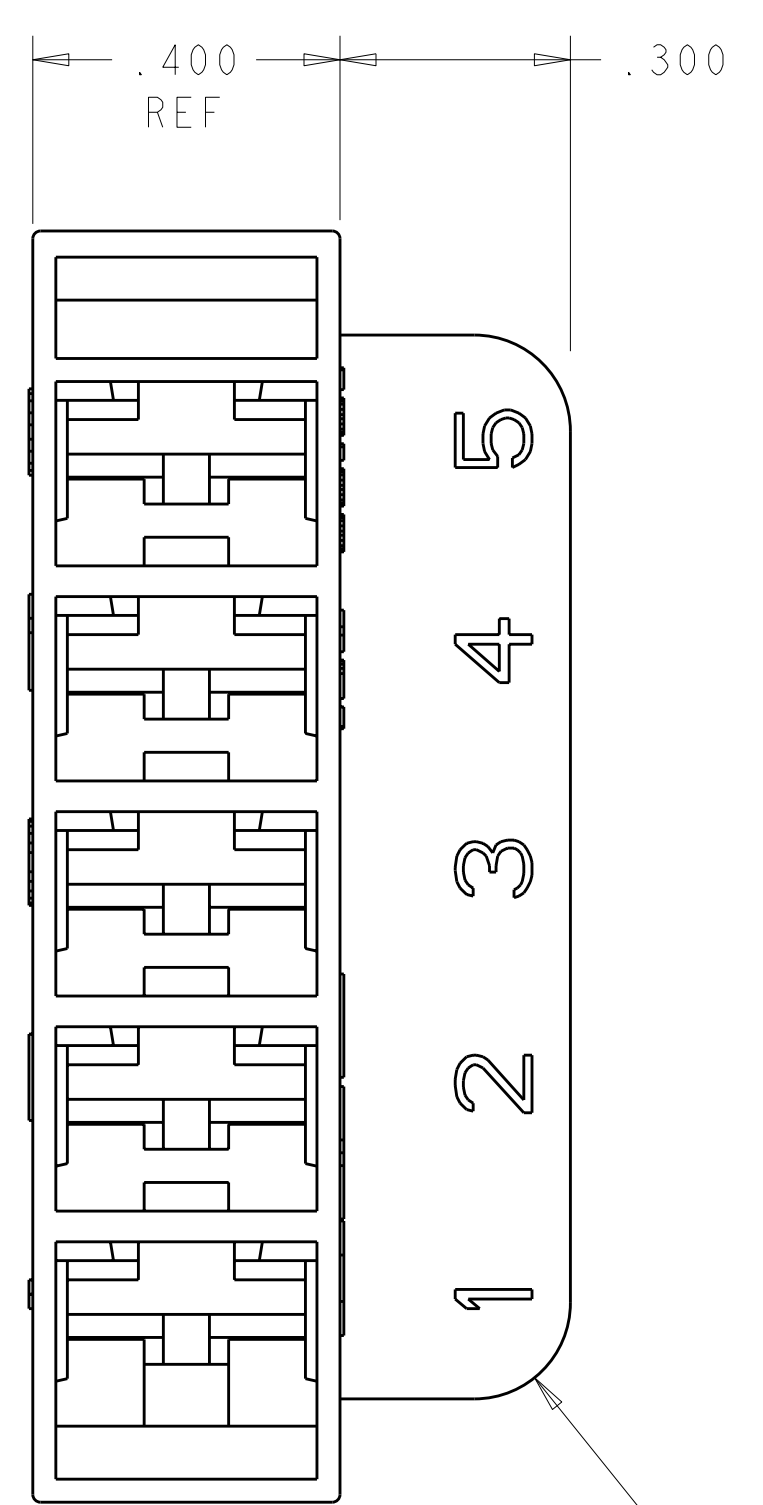
Customer Support

- [Email or Chat With Us](#)
- [Find a Phone Number](#)
- [Knowledge Base](#)
- [Manage Your Account](#)

LOC	DIST	REVISIONS			
REV	DATE	DESCRIPTION	DATE	DWN	APVD
AF	50				
C2		REVISED PER ECR-07-018924	15AUG07	JR	EH



ACCEPTS:
 .250 MKIII POSITIVE LOCK RECEPTACLES 63933-X, 63854-X, & 1217092-X.



R.125

NATURAL	NYLON 66/6, V0	521780-1
COLOR	MATERIAL	PART NUMBER

<small>THIS DRAWING IS UNPUBLISHED. RELEASED FOR PUBLICATION BY TYCO ELECTRONICS CORPORATION. IT IS SUBJECT TO CHANGE WITHOUT NOTICE AND WITHOUT OBLIGATION. SHOULD BE CONTACTED FOR THE LATEST REVISION.</small>		DWN: RAGHAVENDRA 13APR2007 CHY: MIKE FEHER 13APR2007 APVD: ED HOWARD 13APR2007	Tyco Electronics Harrisburg, PA 17105-3608
DIMENSIONS: INCHES 9 PLC ± 8 PLC ± 5 PLC ±.010 4 PLC ± ANGLES ±° FINISH	TOLERANCES UNLESS OTHERWISE SPECIFIED: 9 PLC ± 8 PLC ± 5 PLC ±.010 4 PLC ± ANGLES ±° FINISH	NAME: HOUSING RECEPTACLE, POSITIVE-LOCK MKIII, 5 POSITION, .250 SERIES PRODUCT SPEC: APPLICATION SPEC: SIZE: CAGE CODE: DRAWING NO: WEIGHT:	RESTRICTED TO: CUSTOMER DRAWING SCALE: 4:1 SHEET 1 OF 1 REV: C2