

WIRE & CABLE EMI/RFI FIL
PCB & CABLE ASSEMBLI
CABLE EMI/RFI FILTERS
& CABLE ASSEMBLIES RELAYS TOOLING SENSORS SWITCHES CONTACTORS CONNECTORS WIRE & CABLE
EMI/RFI FILTERS CIRCUIT BREAKERS HARNESSING & PROTECTION IDENTIFICATION & LABELING PCB & CABLE
ASSEMBLIES RELAYS TOOLING SENSORS SWITCHES CONTACTORS CONNECTORS WIRE & CABLE EMI/
RFI FILTERS CIRCUIT BREAKERS HARNESSING & PROTECTION IDENTIFICATION & LABELING PCB & CABLE
ASSEMBLIES RELAYS TOOLING SENSORS SWITCHES CONTACTORS CONNECTORS WIRE & CABLE EMI/RFI
FILTERS CIRCUIT BREAKERS HARNESSING & PROTECTION IDENTIFICATION & LABELING PCB & CABLE ASSEMBLIES
RELAYS TOOLING SENSORS SWITCHES CONTACTORS CONNECTORS WIRE & CABLE EMI/RFI FILTERS CIRCUIT
BREAKERS HARNESSING & PROTECTION IDENTIFICATION & LABELING PCB & CABLE ASSEMBLIES RELAYS
TOOLING SENSORS SWITCHES CONTACTORS CONNECTORS WIRE & CABLE EMI/RFI FILTERS CIRCUIT BREAKERS
HARNESSING & PROTECTION IDENTIFICATION & LABELING PCB & CABLE ASSEMBLIES RELAYS TOOLING SENSORS
SWITCHES CONTACTORS CONNECTORS WIRE & CABLE EMI/RFI FILTERS CIRCUIT BREAKERS HARNESSING &
PROTECTION IDENTIFICATION & LABELING PCB & CABLE ASSEMBLIES RELAYS TOOLING SENSORS SWITCHES
CONTACTORS CONNECTORS WIRE & CABLE EMI/RFI FILTERS CIRCUIT BREAKERS HARNESSING & PROTECTION
IDENTIFICATION & LABELING PCB & CABLE ASSEMBLIES RELAYS TOOLING SENSORS SWITCHES CONTACTORS

Introducing
Positive Lock HVAC
Motor Connectors

Key Features

Ergonomically Friendly

- One piece housing designs

- Low Mating Force

Positive locking to mating tabs

- Audible Click Upon mating

Housings keyed to ensure proper position and orientation at mating

Housings made from UL 94 V-0 Flammability Rated Material

DESCRIPTION

Four and five position connectors designed to mate to power and discrete speed tap control contacts on high efficiency residential HVAC blower motors

Designed using Tyco Electronics Mark III Positive Lock Connection System

Ergonomically friendly, one piece housing design

APPLICATIONS

High Efficiency residential HVAC blower motors

MECHANICAL

Application specification 114-2074

MATERIALS

Housings: UL 94 V-0 Nylon, white

Terminals: Un-Plated or Tin Plated Brass

PRODUCT OFFERING

Power Connector:

- Housing part number: 521781-1
- Terminal part number: For Circuit C (Low Voltage Signal Common)
250 Series Mark III Positive Lock Receptacles 63933-X, 63854-X, 1217092-X
For Circuits L, G, and N (Line Voltage) 187 Series Mark III Positive Lock Receptacles 1217113-X and 1217114-X

Discrete Tap Connector:

- Housing part number: 521780-1
- Terminal part number: 250 Series Mark III Positive Lock Receptacles 63933-X, 63854-X, 1217092-X

Positive Lock HVAC Motor Connectors

STANDARDS AND SPECIFICATIONS

UL Recognized & CSA Certified

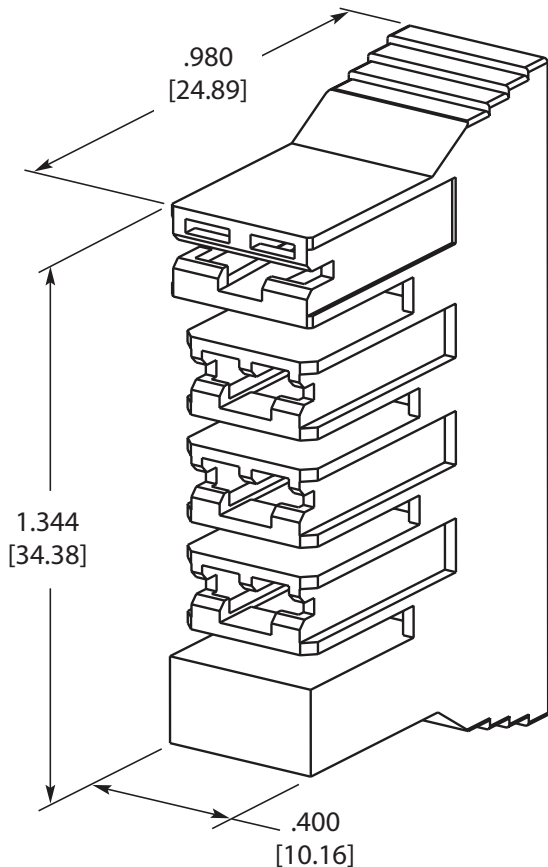
RoHS Compliant

Application Specification 114-2074

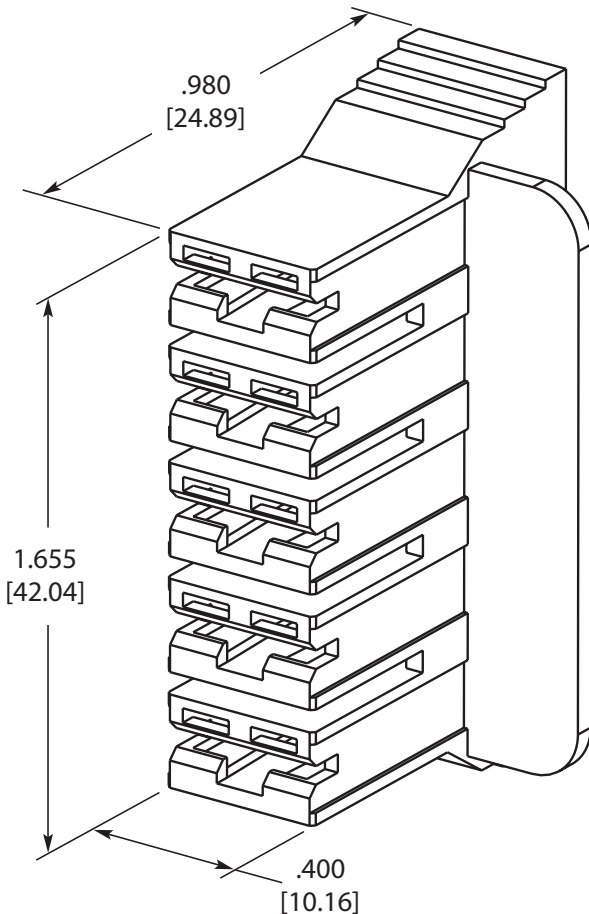
PRODUCT DIMENSIONS AND PART NUMBERS

Mark III HVAC Motor Receptacle Housing

Material	Color			Part Number
Nylon	Natural	X	X	521781-1
Nylon	Natural	X	X	521780-1



Part Number 521781-1
4-Position



Part Number 521780-1
5-Position

