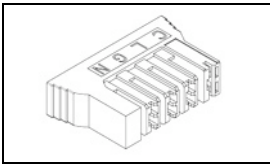


521781-1 Product Details

[Share](#) [Print](#) [Email](#)



521781-1

TE Internal Number: 521781-1
 Active

[View 3D PDF](#)

Positive Lock Connectors

Always EU RoHS/ELV Compliant (Statement of Compliance)

Product Highlights:

- Connector
- Not Preloaded
- Connector Style = Plug
- Accepts Contact Gender = Receptacle
- Mating Area Interface Dimensions = 4.75 mm, 6.35 mm

[View all Features](#)

Quick Links

- ▶ [Pricing & Availability](#)
- ▶ [Search for Tooling](#)
- ▶ [Product Feature Selector](#)
- ▶ [Contact Us About This Product](#)

[Add to My Part List](#) [Request Sample](#) [Find Similar Products](#) [Buy Product](#)

Documentation & Additional Information

Product Drawings:

- [HOUSING, RECEPTACLE POSITIVE LOCK, 4 POSITION \(PDF, English\)](#)

Catalog Pages/Data Sheets:

- [Positive Lock HVAC Motor Connectors \(PDF, English\)](#)
- [Positive Lock Receptacles \(PDF, English\)](#)

Product Specifications:

- None Available

Application Specifications:

- [Series 110 MK II, 187 MK II and MK III, Series 250 M... \(PDF, English\)](#)

Instruction Sheets:

- None Available

CAD Files: (CAD Format & Compression Information)

- [2D Drawing \(DXF, Version D1\)](#)
- [3D Model \(IGES, Version D1\)](#)
- [3D Model \(STEP, Version D1\)](#)

[List all Documents](#)

Additional Information:

- [Product Line Information](#)

Related Products:

- [Tooling](#)

Product Features (Please use the Product Drawing for all design activity)

Product Type Features:

- [Product Type](#) = Connector
- [Receptacle Style](#) = Straight
- [Color](#) = Natural
- [Keyed](#) = Yes
- [Polarization](#) = Yes

Dimensions:

- [Mating Area Interface Dimensions \(mm \[in\]\)](#) = 4.75 [.187], 6.35 [.250]

Body Features:

- [Material](#) = Nylon 6/6
- [Position Keyed](#) = 3C

Contact Features:

- [Accepts Contact Gender](#) = Receptacle

Housing Features:

- [Connector Style](#) = Plug
- [Centerline \(mm \[in\]\)](#) = 6.81 [0.2681], 7.44 [0.293]
- [UL Flammability Rating](#) = UL 94V-0

Configuration Features:

- [Preloaded](#) = No
- [Number of Positions](#) = 4

Industry Standards:

- [RoHS/ELV Compliance](#) = RoHS compliant, ELV compliant
- [Lead Free Solder Processes](#) = Not relevant for lead free process
- [RoHS/ELV Compliance History](#) = Always was RoHS compliant

Packaging Features:

- [Packaging Method](#) = Loose Piece/Bulk

Other:

- [Line](#) = Mark III
- [Brand](#) = TE Connectivity
- [Comment](#) = Accepts (1) .250 and (3) .187 Mark III Positive Lock receptacles.

Corporate Information

[About TE](#)
[Investors](#)
[News Room](#)

Quick Links

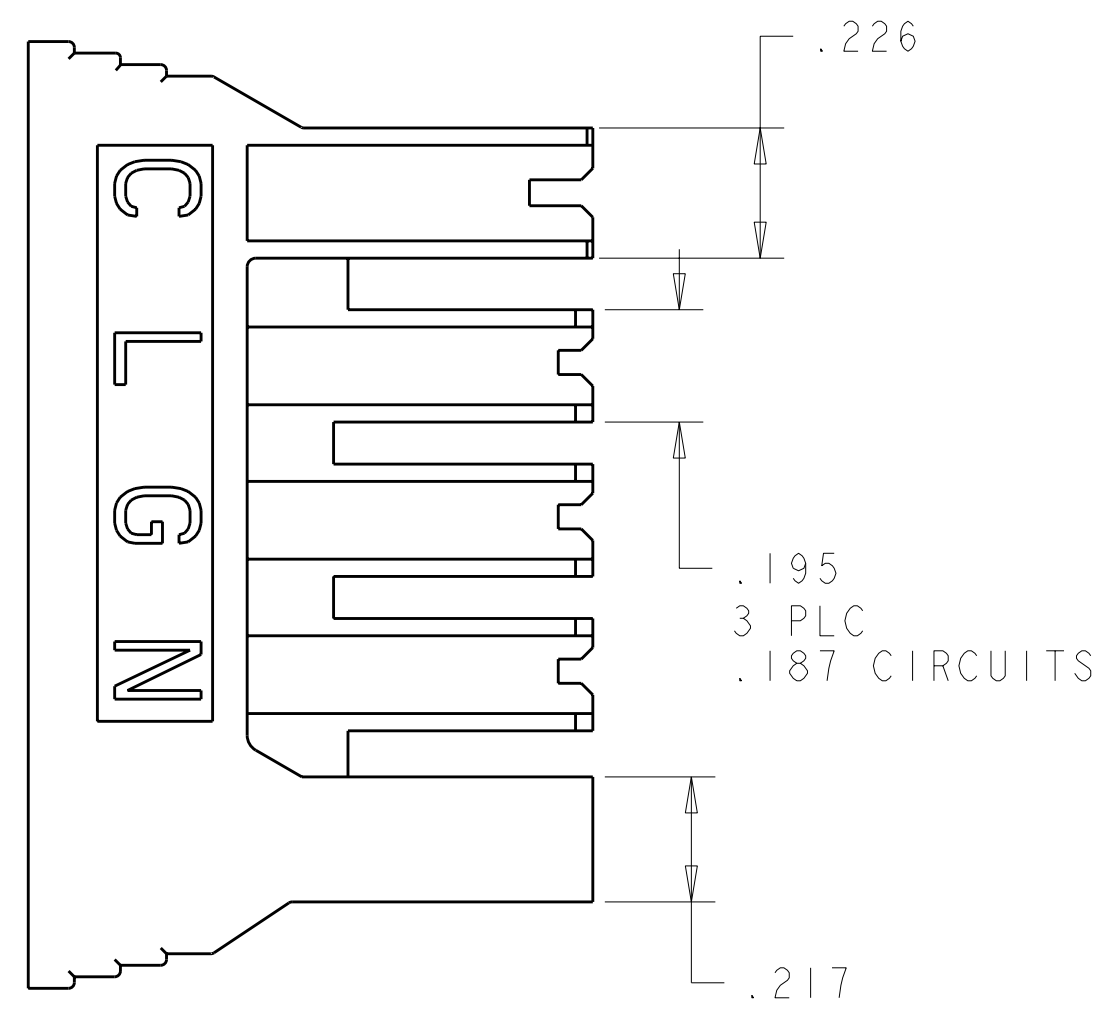
[Distributor Inventory](#)
[Product Cross Reference](#)
[Documents & Drawings](#)

Customer Support

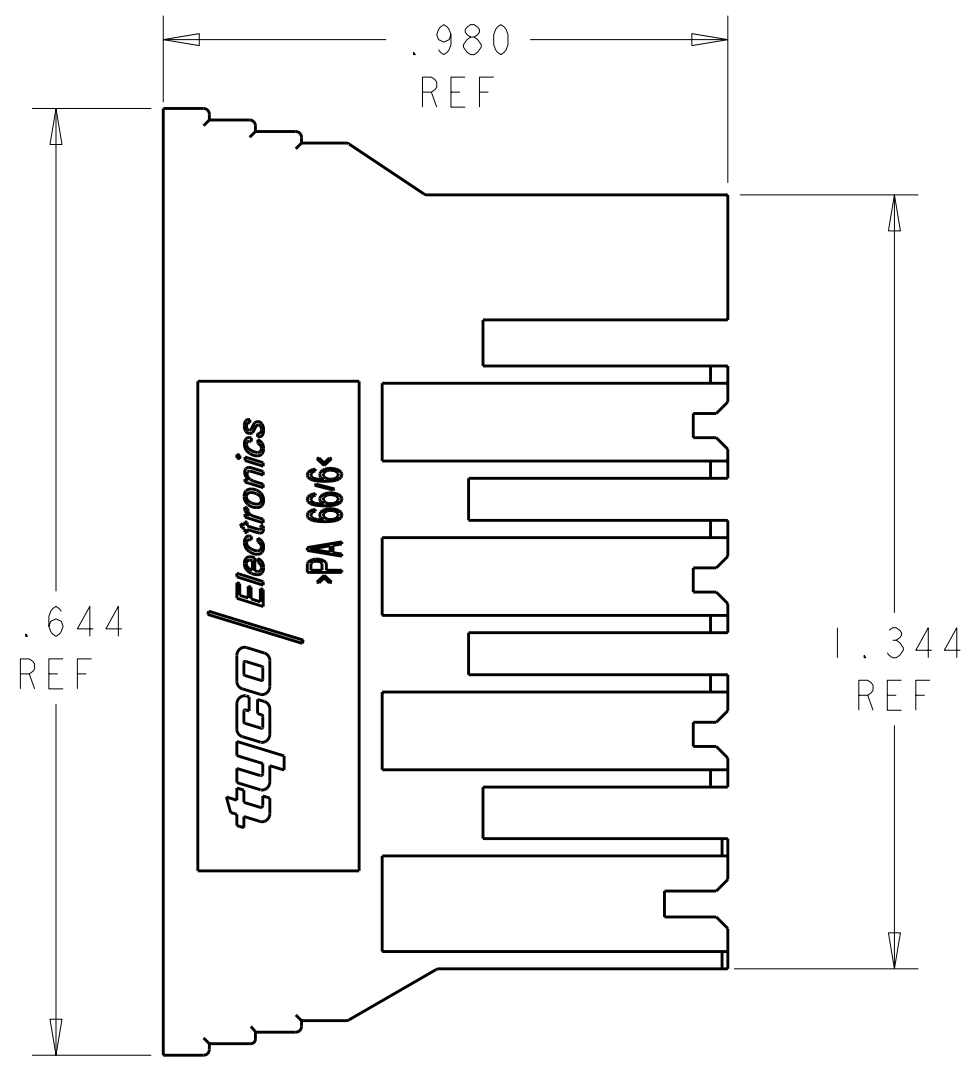
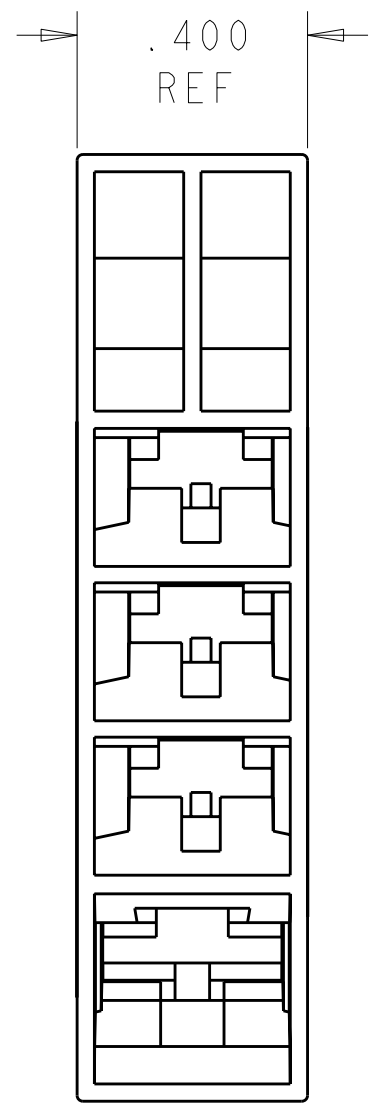
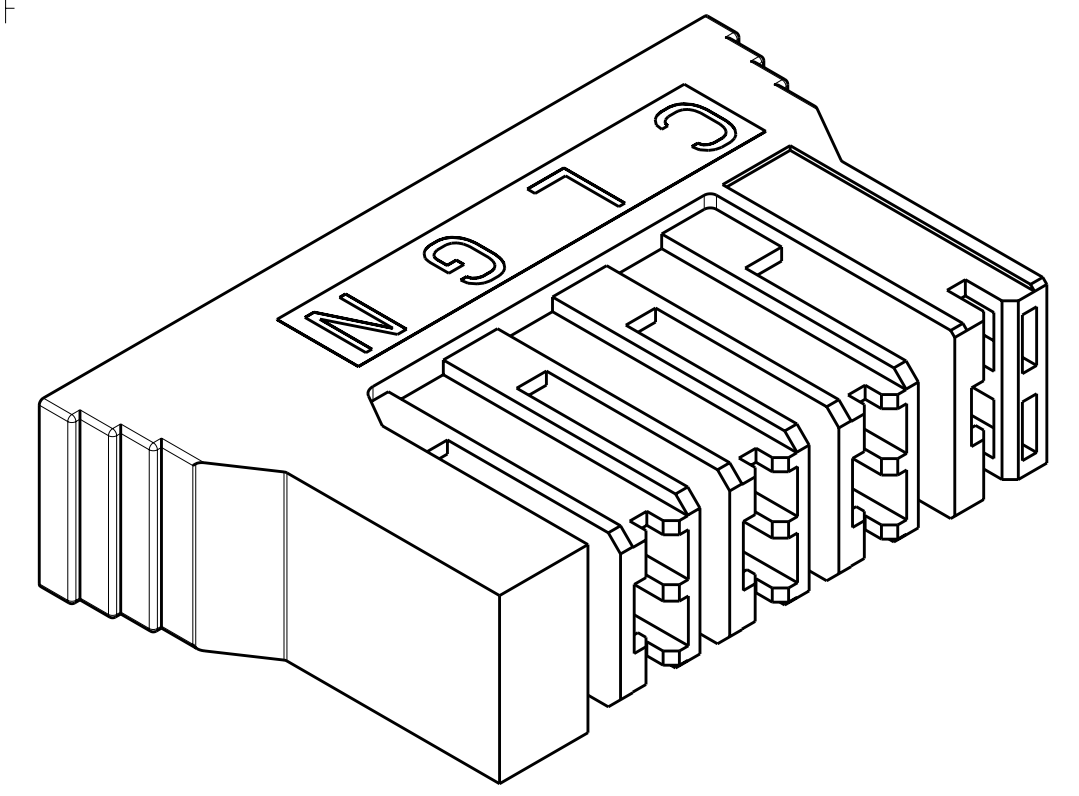
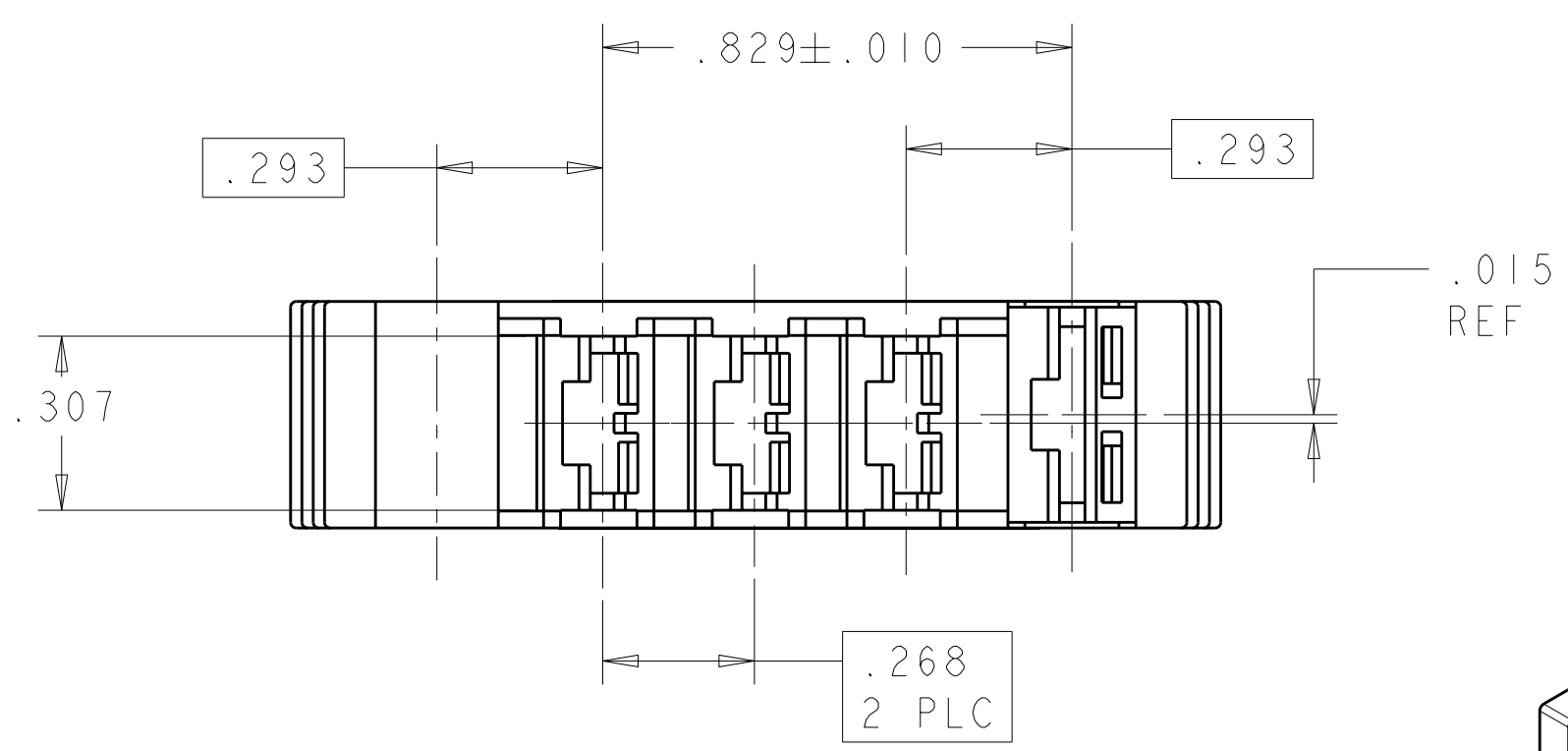
[Email or Chat With Us](#)
[Find a Phone Number](#)
[Knowledge Base](#)

THIS DRAWING IS UNPUBLISHED. RELEASED FOR PUBLICATION 20
 © COPYRIGHT 20 BY TYCO ELECTRONICS CORPORATION. ALL RIGHTS RESERVED.

LOC	DIST	REVISIONS			
P	LTR	DESCRIPTION	DATE	DWN	APVD
AF	50	CI	REL PER ECR 05-018644	23DEC05	JR EH
		D	REVISED PER ECR-06-003481	28FEB2006	MF EH
		DI	REVISED PER ECR-06-007577	03APR2006	MF EH
		E	REVISED PER ECR-07-018671	08AUG2007	HMR EH



1. CIRCUIT "C" ACCEPTS:
 .250 MKIII POSITIVE LOCK RECEPTACLES 63933-X, 63854-X, & 1217092-X
 CIRCUITS L, G, & N ACCEPTS:
 .187 MKIII POSITIVE LOCK RECEPTACLES 1217113-X, & 1217114-X



NATURAL	NYLON 66/6, V0	521781-1
COLOR	MATERIAL	PART NUMBER

THIS DRAWING IS A CONTROLLED DOCUMENT FOR TYCO ELECTRONICS CORPORATION. IT IS SUBJECT TO CHANGE AND THE CONTROLLING ENGINEERING ORGANIZATION SHOULD BE CONTACTED FOR THE LATEST REVISION.		DWN R FLAIG 19 JAN 2005	Tyco Electronics Harrisburg, PA 17105-3608	
DIMENSIONS: INCHES	TOLERANCES UNLESS OTHERWISE SPECIFIED: 0 PLC ± 1 PLC ± 2 PLC ± 3 PLC ±.010 4 PLC ± ANGLES ±2° FINISH	CHK G PORTA 19 JAN 2005	NAME HOUSING, RECEPTACLE POSITIVE LOCK, 4 POSITION	
		APVD G PORTA 19 JAN 2005		
MATERIAL	SEE TABLE	PRODUCT SPEC -	SIZE A200779	RESTRICTED TO -
SEE TABLE	SEE TABLE	APPLICATION SPEC -	DRAWING NO C-521781	SCALE 1:1
CUSTOMER DRAWING		WEIGHT -	SHEET 1	REV E