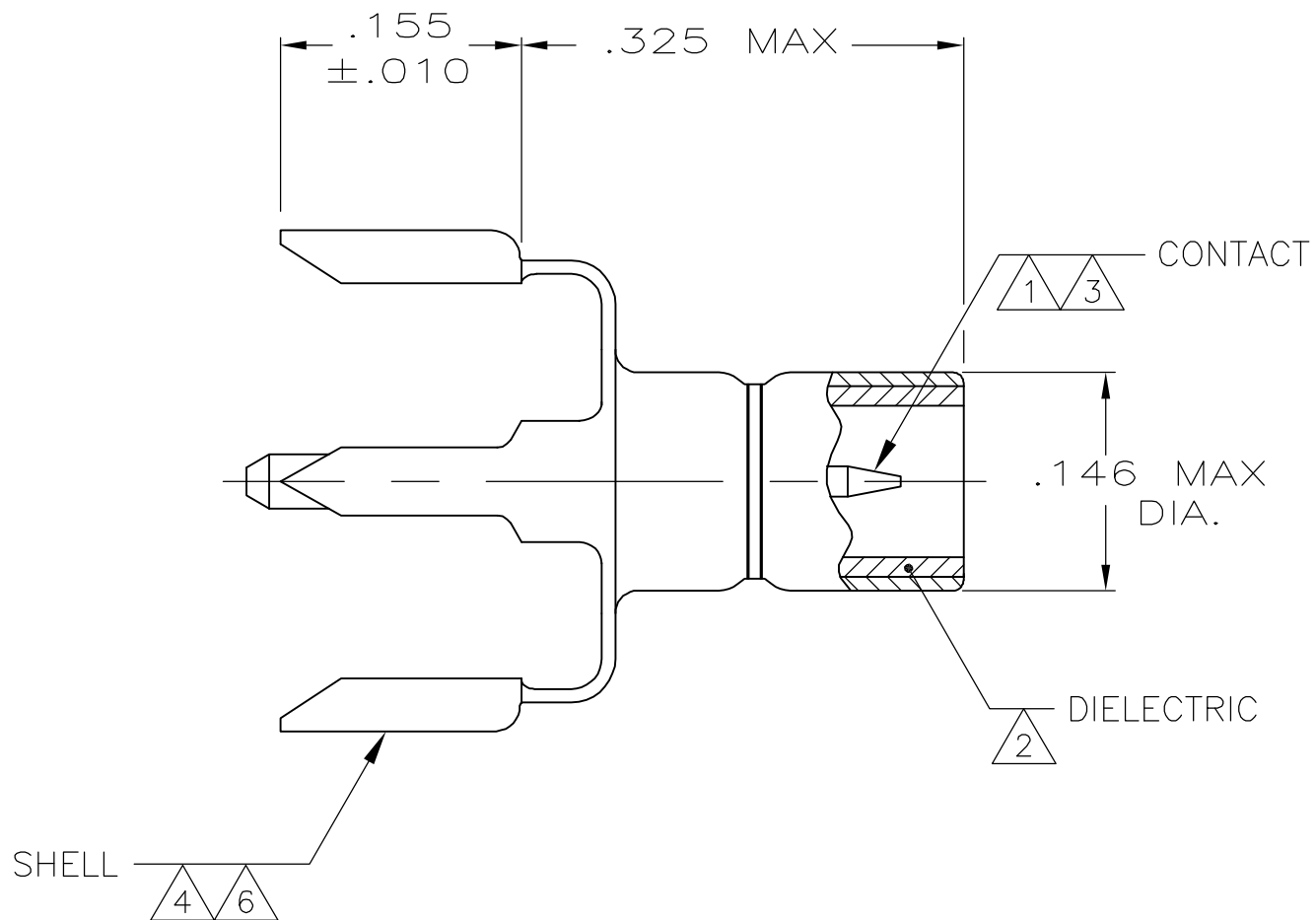
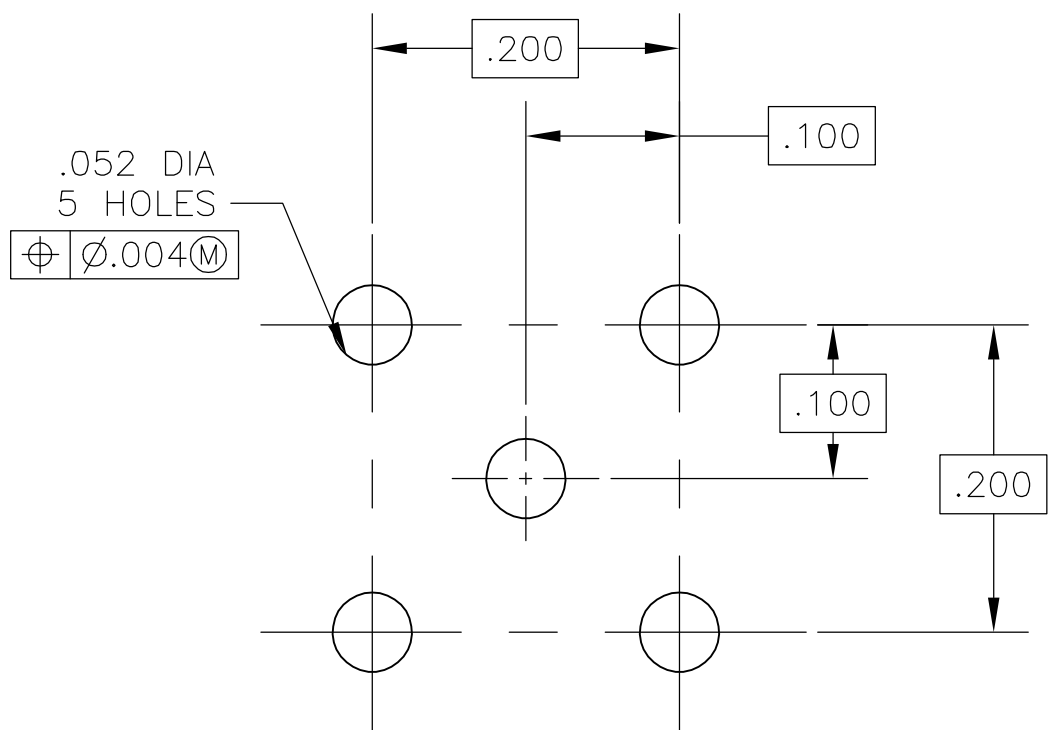


THIS DRAWING IS UNPUBLISHED. RELEASED FOR PUBLICATION
 © COPYRIGHT BY TYCO ELECTRONICS CORPORATION. ALL RIGHTS RESERVED.

LOC	DIST	REVISIONS			
P	LTR	DESCRIPTION	DATE	DWN	APVD
		0	RELEASED PER OS14-0496-04.	25JAN2005	JGH JGH



- 1 BRASS PER ASTM-B-16.
- 2 PTFE TEFLON PER ASTM-D-1710.
- 3 GOLD PLATE PER ASTM-B-488.
- 4 TIN PLATE PER ASTM-B-545.
- 5 NICKEL PLATE PER QQ-N-290.
- 6 BRASS PER ASTM-B-36.



RECOMMENDED PCB HOLE CONFIGURATION

5221111-1
 PART NUMBER

THIS DRAWING IS A CONTROLLED DOCUMENT.		DWN J. HAVENER 24JAN2005	Tyco Electronics Corporation Harrisburg, PA 17105-3608		
DIMENSIONS: INCHES		CHK J. HAVENER 25JAN2005	NAME JACK,PCB, VERTICAL SMB		
TOLERANCES UNLESS OTHERWISE SPECIFIED:		APVD J. HAVENER 25JAN2005	PRODUCT SPEC —		
0 PLC ± - 1 PLC ± - 2 PLC ± - 3 PLC ± .002 4 PLC ± - ANGLES ± -		APPLICATION SPEC —	SIZE A3	CAGE CODE 00779	DRAWING NO C-5221111
MATERIAL SEE NOTES		FINISH SEE NOTES	WEIGHT —	RESTRICTED TO —	SCALE 8:1
CUSTOMER DRAWING			SHEET 1 OF 1	REV 0	