



Have a Question?
 Chat with a Product Information Specialist

What can we help you find?

[Products](#) [Industries](#) [Resources](#) [About TE](#) [My Account](#) [Innovation](#) [Support Center](#)

5221185-9 Product Details

[Share](#) [Print](#) [Email](#)



5221185-9

TE Internal Number: 5221185-9

Active

[View 3D PDF](#)

BNC RF Connectors

Always EU RoHS/ELV Compliant (Statement of Compliance)

Product Highlights:

- Connector - RF
- Plug
- Connector Style = Plug
- Applies To Coaxial Cable
- Coaxial Cable Termination Type = Crimp

[View all Features](#)

Quick Links

- ▶ [Pricing & Availability](#)
- ▶ [Search for Tooling](#)
- ▶ [Product Feature Selector](#)
- ▶ [Contact Us About This Product](#)

[Add to My Part List](#) [Request Sample](#) [Find Similar Products](#) [Buy Product](#)

Documentation & Additional Information

Product Drawings:

- [PLUG, 75 OHM, COMMERCIAL BNC](#) (PDF, English)

Catalog Pages/Data Sheets:

- [BNC Connectors](#) (PDF, English)

Product Specifications:

- None Available

Application Specifications:

- None Available

Instruction Sheets:

- [75-Ohm BNC Plug Dual Crimp Connectors 221185-\[\]](#) (PDF, English)

CAD Files: (CAD Format & Compression Information)

- [2D Drawing](#) (DXF, Version A)
- [3D Model](#) (IGES, Version A)
- [3D Model](#) (STEP, Version A)

[List all Documents](#)

Related Products:

- [Tooling](#)

Product Features (Please use the Product Drawing for all design activity)

Product Type Features:

- [Product Type](#) = Connector - RF
- [Gender](#) = Plug
- [Grade](#) = Commercial
- [Sealed](#) = No
- [Isolated](#) = No
- [Dielectric Material](#) = Polyethylene
- [Coupling Nut Material](#) = Brass
- [Solder Terminal](#) = Without

Mechanical Attachment:

- [Surface Mountable](#) = No
- [Hardware Included](#) = No
- [Panel Mount Retention](#) = Without

Electrical Characteristics:

- [Connector Impedance \(Ω\)](#) = 75

Termination Features:

- [Coaxial Cable Termination Type](#) = Crimp
- [Crimp Type](#) = Dual

Body Features:

- [Body Style](#) = Straight
- [Body Plating](#) = Nickel
- [Body Insulation](#) = Without
- [Polarized](#) = No

Contact Features:

- [Center Contact Material](#) = Brass
- [Center Contact Plating](#) = Gold

Housing Features:

- [Connector Style](#) = Plug

Configuration Features:

- [Coaxial Cable Type \(RG/U or Mfg.\)](#) = Belden 8212, Belden 9104, Belden 9112, Belden 9167, Belden 9240, Belden 9259, Belden 9266, Times FM-59
- [Number of Ports](#) = 1

Industry Standards:

- [Government/Industry Qualification](#) = No
- [RoHS/ELV Compliance](#) = RoHS compliant, ELV compliant
- [Lead Free Solder Processes](#) = Not relevant for lead free process
- [RoHS/ELV Compliance History](#) = Always was RoHS compliant

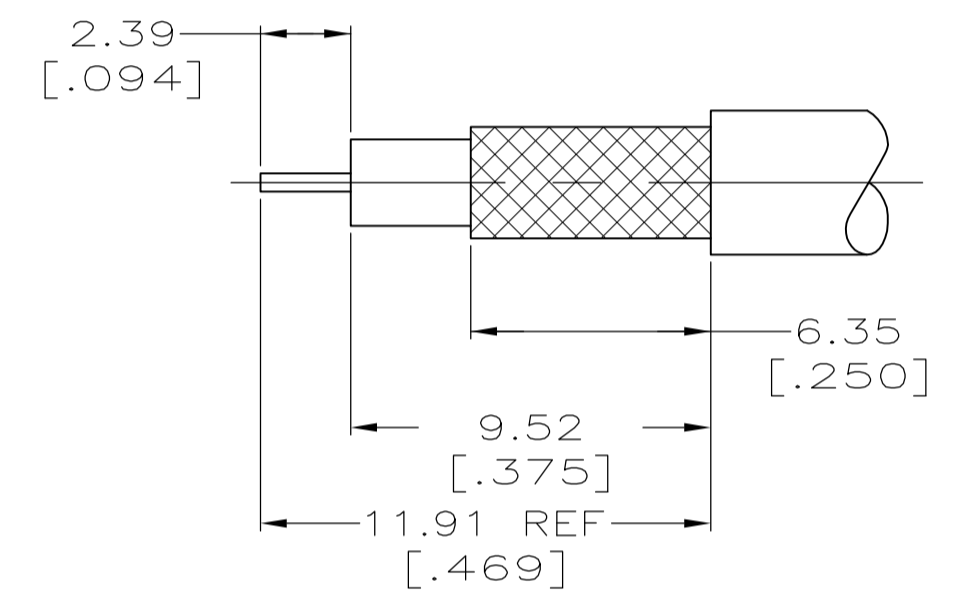
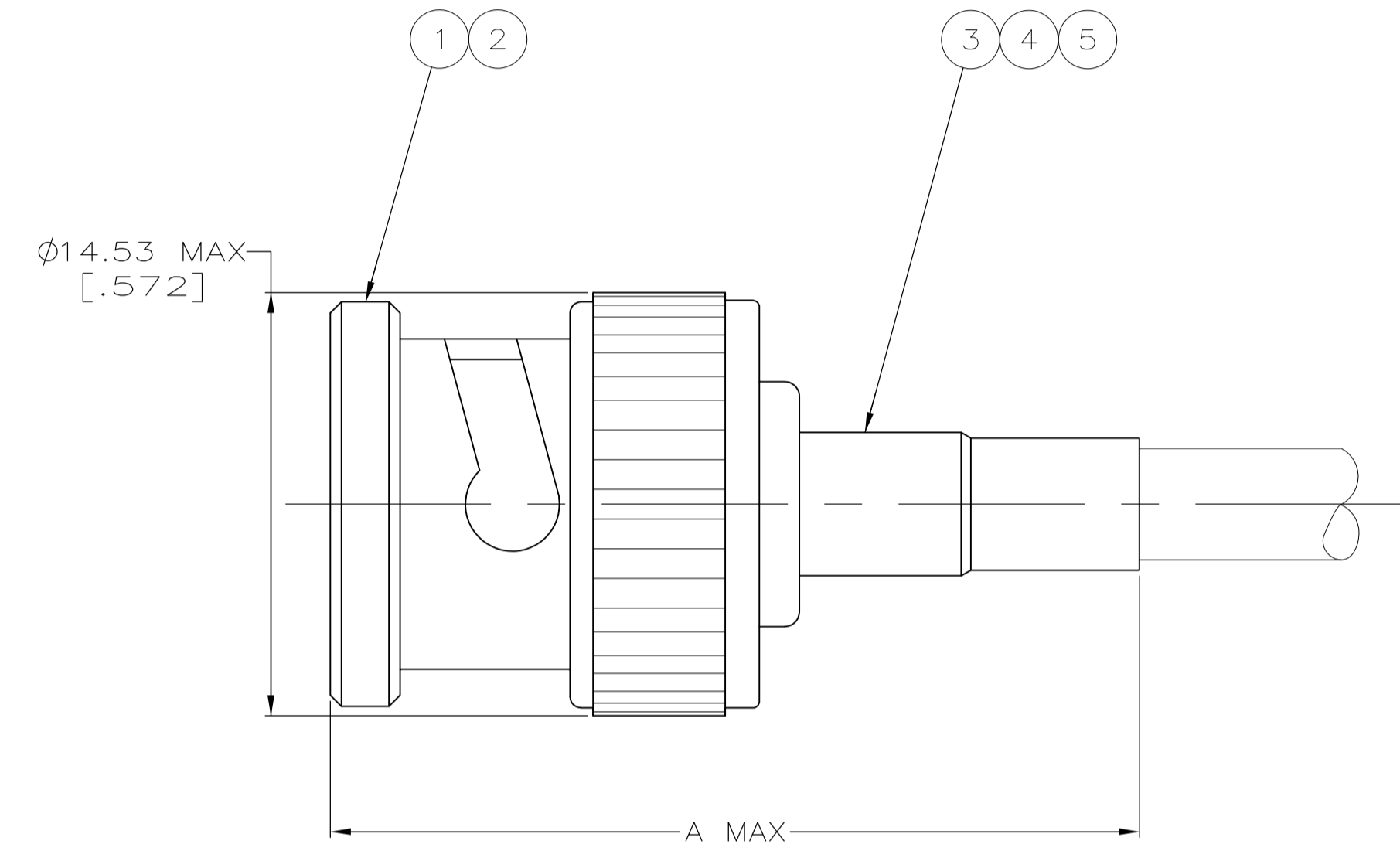
Conditions for Usage:

- [Applies To](#) = Coaxial Cable

Other:

- [Brand](#) = AMP

1. USE INSTRUCTION SHEET 408-9088.
 2. USE WITH PRO CRIMPER 354940-1.



RECOMMENDED STRIP LENGTH

C&M 17189	28.96	[1.140]	.044	.104/.170	318451-2	414932-2	-	9-328666-0	1-221182-6	9-221184-2	3-5221185-4
COMSCOPE F59 HEC-2	28.96	[1.140]	.044	.265	58536-1	-	-	9-50427-0	1-221182-0	9-221184-1	3-5221185-1
COMM/SCOPE S59HEC	28.96	[1.140]	.044	.265	58536-1	-	-	9-50427-0	221182-2	9-221184-5	2-5221185-9
BELDEN 8281, 9231	31.75	[1.250]	.044	.330	58538-1	-	-	9-50427-2	1-221182-0	9-221184-3	2-5221185-6
MONTROSE CBL8196	28.96	[1.140]	.044	.170	58174-1	-	-	9-329461-2	221182-2	9-221184-2	2-5221185-3
AT&T 735A	28.96	[1.140]	.044	.170	58174-1	-	-	9-328666-2	221182-6	9-221184-2	1-5221185-8
BELDEN 1164A, 1167A	28.45	[1.120]	.044	.170	58174-1	-	-	9-329461-0	1-221182-6	9-221184-2	1-5221185-5
BELDEN 9145	27.69	[1.090]	.044	.240	58536-1	-	-	9-50428-1	1-221182-0	9-221184-1	1-5221185-0
RG-59 TYPE,C,C=.031 DIA,CAROL COLUMBIA,C1103	27.69	[1.090]	.044	.240	58536-1	-	-	9-50428-0	1-221182-0	9-221184-1	5221185-9
RG-179/U,179A/U,179B/U,187/U,187A/U	28.96	[1.140]	.044	.104/.170	318451-2	227194-2	222001-4	9-328666-0	1-221182-2	9-221184-2	5221185-8
RG-6/U,6A/U	37.85	[1.490]	.044	.330	58538-1	-	-	9-51713-1	1-221182-0	9-221184-4	5221185-7
BELDEN 8281, 8281F, 9231 AND GEPCO VP6000	31.75	[1.250]	.044	.330	58538-1	-	-	9-221132-2	1-221182-0	9-221184-3	5221185-5
BELDEN 8218	28.45	[1.120]	.044	.170	58174-1	-	-	9-329461-0	221182-6	9-221184-2	5221185-3
RG-59/U,59A/U,59B/U	27.69	[1.090]	.044	.240	58536-1	-	-	9-50428-0	221182-2	9-221184-1	5221185-2
BELDEN 9248	27.69	[1.090]	.044	.265	58536-1	-	-	9-50427-0	221182-8	9-221184-0	5221185-1

FOR USE WITH CABLE	A	CRIMP CONTACT (SQUARED)	CRIMP FERRULE (DIA)	DIE SET 2	5 PLASTIC TUBING QTY=1	4 TUBING QTY=1	3 FERRULE QTY=1	2 CONTACT QTY=1	1 PLUG ASSY QTY=1	PART NUMBER
--------------------	---	-------------------------	---------------------	-----------	------------------------	----------------	-----------------	-----------------	-------------------	-------------

THIS DRAWING IS A CONTROLLED DOCUMENT.

DIMENSIONS: mm [INCHES]	TOLERANCES UNLESS OTHERWISE SPECIFIED:	DIN J. ALCORTA - 21APR2005	DOCK 5
0 PLC ± -	1 PLC ± -	J. HAVENER	DOCK 5
2 PLC ± 0.41 [016]	3 PLC ± -	J. LIPPERT	21APR2005
4 PLC ± -	ANGLES ± -	NAME	PLUG, 75 OHM, COMMERCIAL BNC
MATERIAL	FINISH	SIZE	CAGE CODE
		A1	00779
		WEIGHT	DRAWING NO
			5221185
		CUSTOMER DRAWING	SCALE 5:1 SHEET 1 OF 1 REV A1

STE TE Connectivity