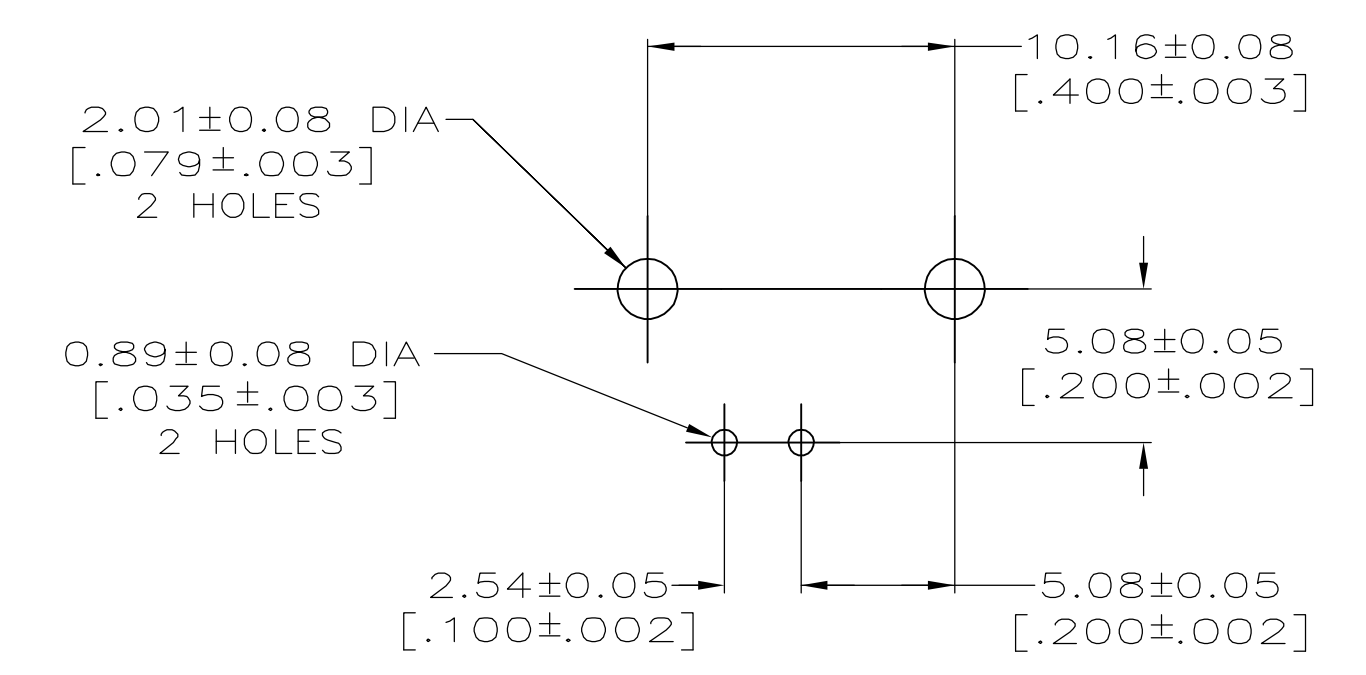
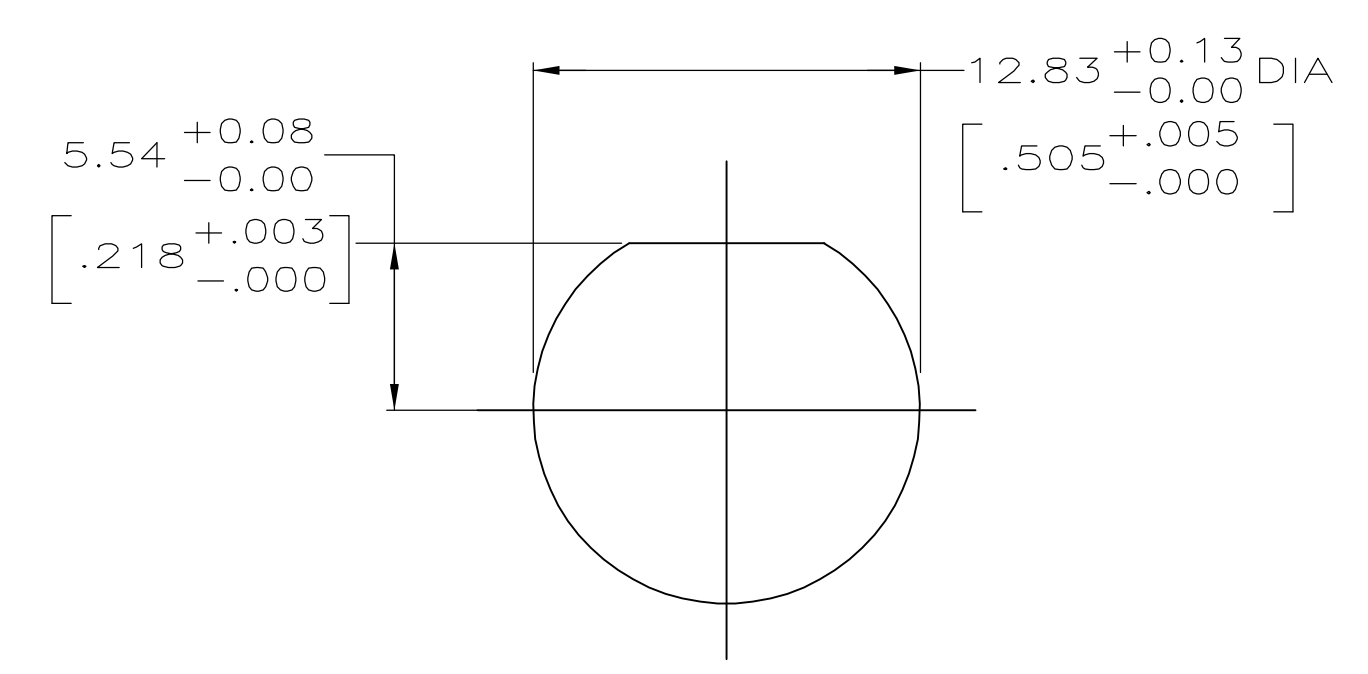


- 1 ZINC PER QQ-Z-363.
- 2 POLYMETHYLPENTENE, GENERAL PURPOSE.
- 3 BERYLLIUM COPPER PER QQ-C-530.
- 4 BRASS PER ASTM-B-453.
- 5 BRASS PER ASTM-B-16.
- 6 NICKEL PLATE PER QQ-N-290, 3.81 μm [.000150] MINIMUM THICK.
- 7 TIN PLATE PER ASTM-B-545, 3.81 μm [.000150] MINIMUM THICK.
- 8 GOLD PLATE PER MIL-G-45204, 0.76 μm [.000030] MINIMUM THICK.
- 9. SEE INSTRUCTION SHEET 408-2769.



4.11 [.162]	3.48 [.137]	5222092-3
4.11 [.162]	2.16 [.085]	5222092-1
B	A	PART NUMBER

THIS DRAWING IS A CONTROLLED DOCUMENT.

DIMENSIONS: mm [INCHES]	TOLERANCES UNLESS OTHERWISE SPECIFIED:	DWN J. ALCORTA - 21APR2005	CHK J. HAVENER - 21APR2005	APPRO J. LIPPERT - 21APR2005	NAME JACK, RIGHT ANGLE, PCB 75 OHM, SERIES BNC
0 PLC ± -	1 PLC ± -	2 PLC ± 0.20 [.008]	3 PLC ± -	4 PLC ± -	ANGLES ± -
MATERIAL SEE NOTES 1-5	FINISH SEE NOTES 6-8	SIZE A1	CAGE CODE 00779	DRAWING NO 5222092	RESTRICTED TO -
CUSTOMER DRAWING			SCALE 4:1	SHEET 1 OF 1	REV A

tyco Electronics
 Tyco Electronics Corporation
 Harrisburg, Pa 17105-3608