

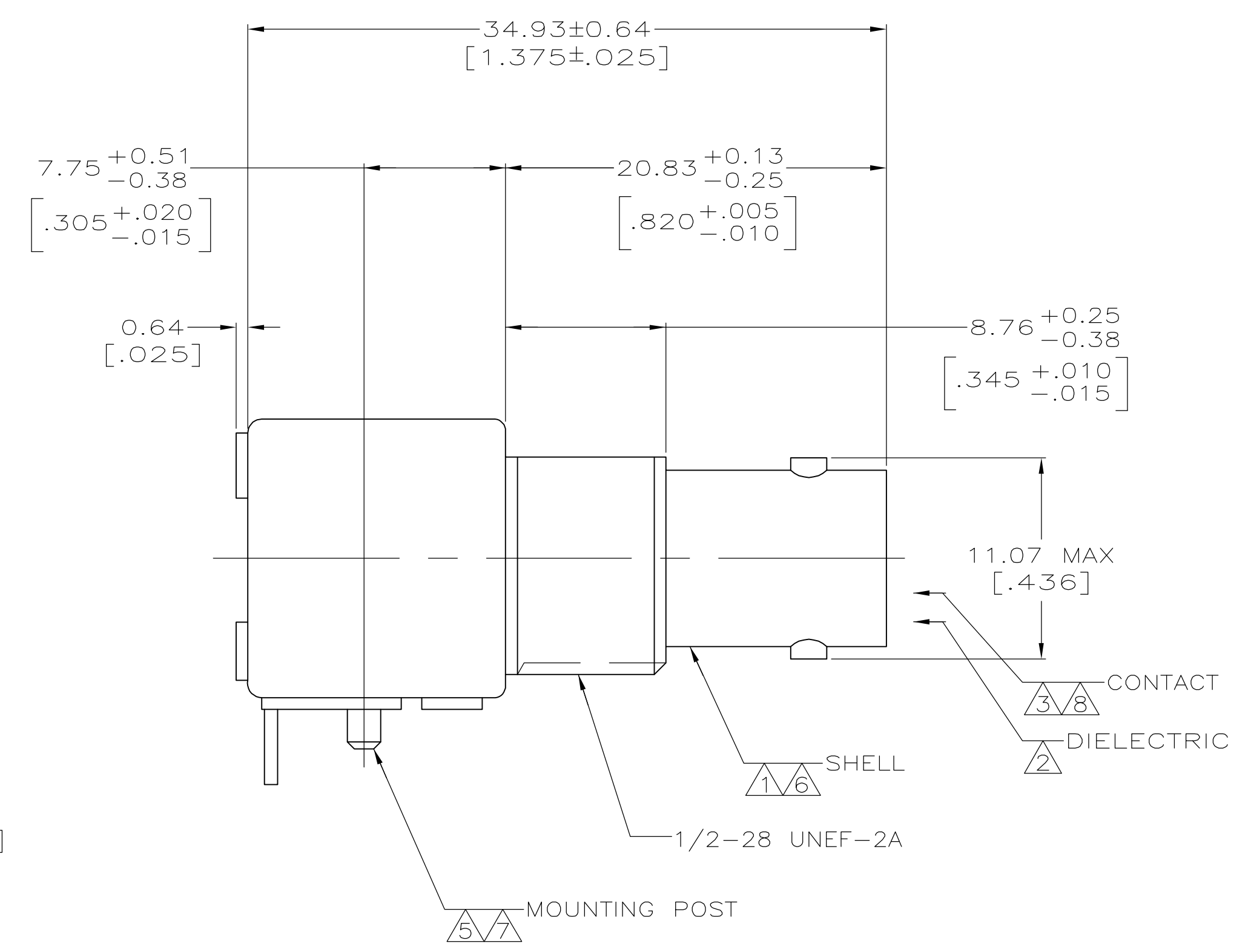
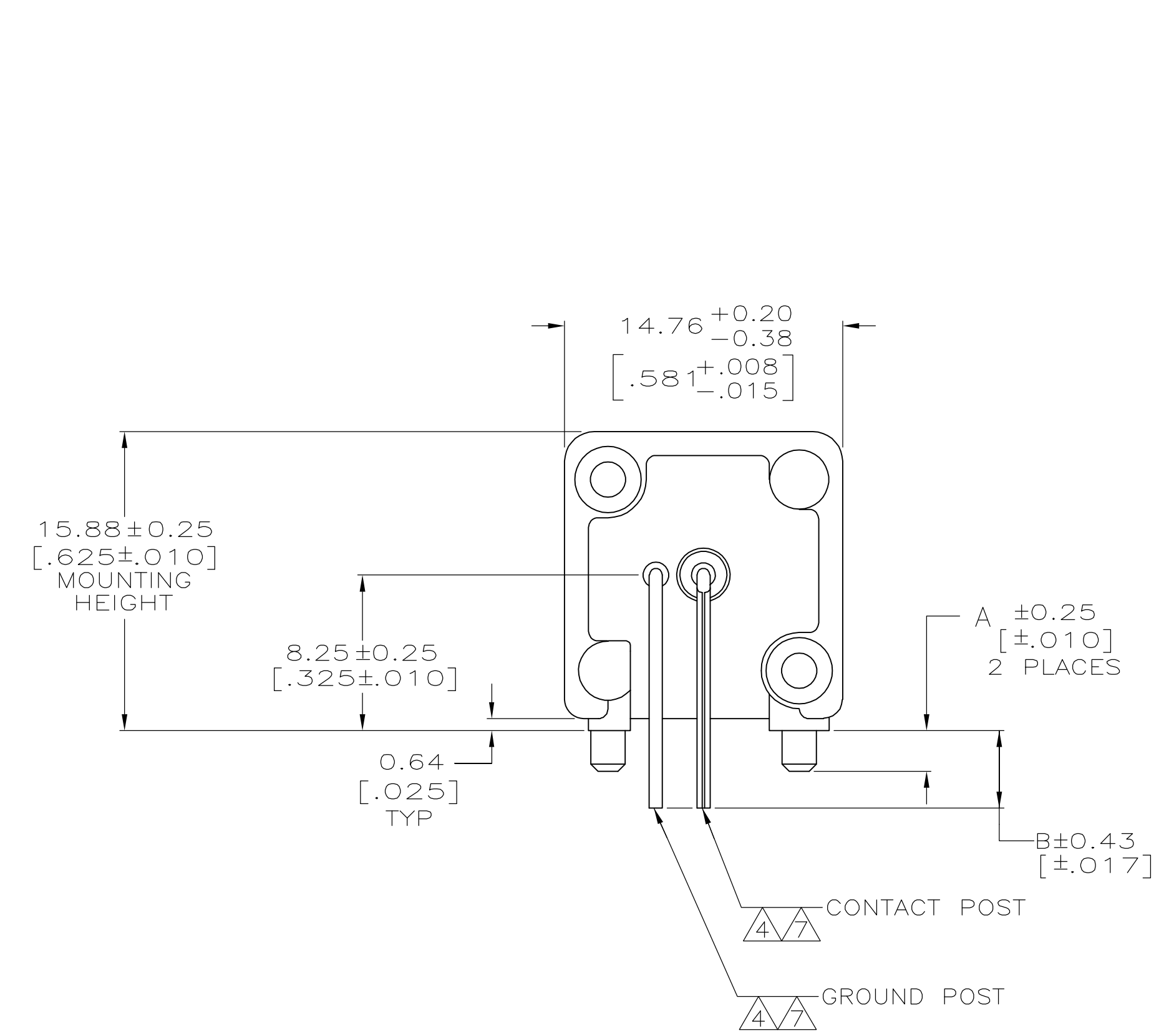
Distributed by:

JAMECO[®]
ELECTRONICS

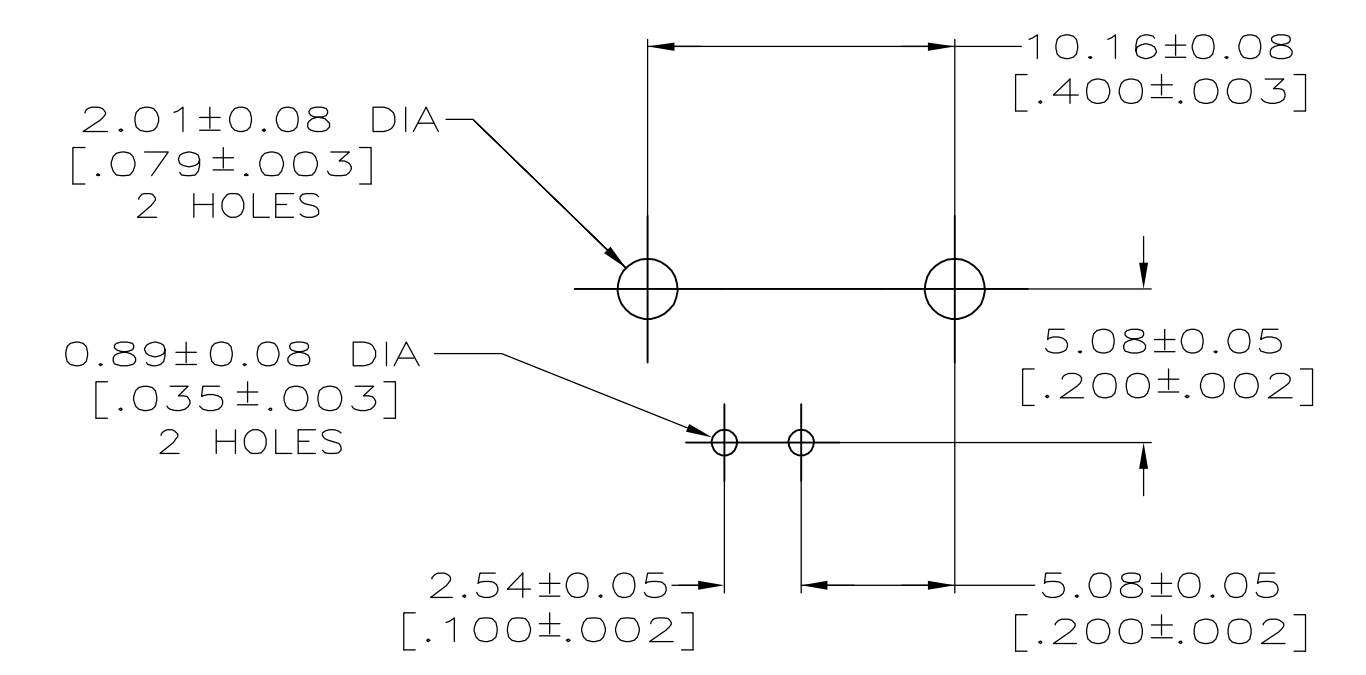
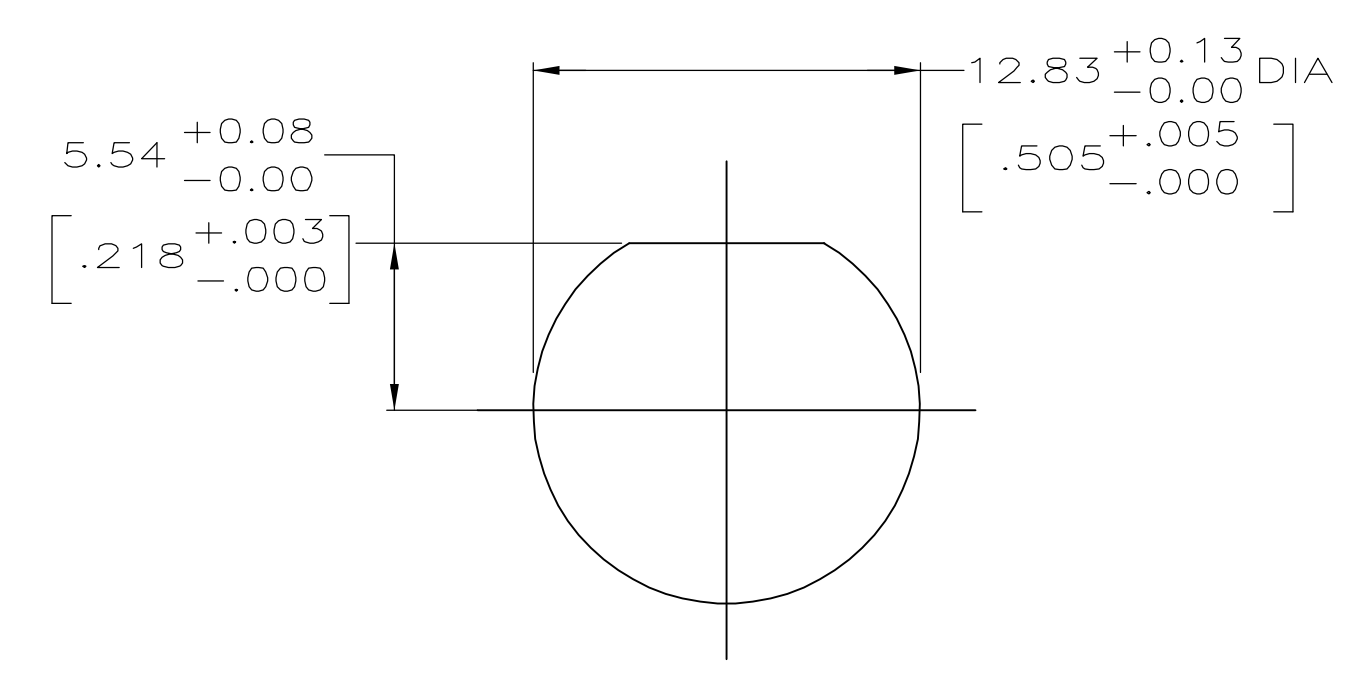
www.Jameco.com ♦ 1-800-831-4242

The content and copyrights of the attached
material are the property of its owner.

Jameco Part Number 952175



- 1 ZINC PER QQ-Z-363.
- 2 POLYMETHYLPENTENE, GENERAL PURPOSE.
- 3 BERYLLIUM COPPER PER QQ-C-530.
- 4 BRASS PER ASTM-B-453.
- 5 BRASS PER ASTM-B-16.
- 6 NICKEL PLATE PER QQ-N-290, 3.81 μm [.000150] MINIMUM THICK.
- 7 TIN PLATE PER ASTM-B-545, 3.81 μm [.000150] MINIMUM THICK.
- 8 GOLD PLATE PER MIL-G-45204, 0.76 μm [.000030] MINIMUM THICK.
- 9. SEE INSTRUCTION SHEET 408-2769.



4.11 [.162]	3.48 [.137]	5222092-3
4.11 [.162]	2.16 [.085]	5222092-1
B	A	PART NUMBER

THIS DRAWING IS A CONTROLLED DOCUMENT.		DWN J. ALCORTA - 21APR2005	 Tyco Electronics Corporation Harrisburg, Pa 17105-3608
DIMENSIONS: mm (INCHES)		CHK J. HAVENER 21APR2005	
TOLERANCES UNLESS OTHERWISE SPECIFIED:		APP'D J. LIPPERT 21APR2005	NAME
0 PLC ± -	1 PLC ± -	PRODUCT SPEC	JACK, RIGHT ANGLE, PCB
2 PLC ± 0.20 [.008]	3 PLC ± -	APPLICATION SPEC	75 OHM, SERIES BNC
4 PLC ± -	ANGLES ± -	SIZE	A1
MATERIAL SEE NOTES 1-5		FINISH SEE NOTES 6-8	CAGE CODE
		WEIGHT	DRAWING NO
		CUSTOMER DRAWING	5222092
		SCALE	RESTRICTED TO
		4:1	1 OF 1
		SHEET	REV
		1	A