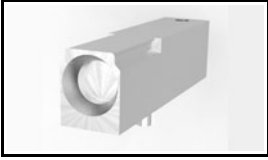


5223957-1 Product Details

[Share](#) [Print](#) [Email](#)




5223957-1

TE Internal Number: 5223957-1

 **Active**

[View 3D PDF](#)

Universal Power Modules

 Always EU RoHS/ELV Compliant
(Statement of Compliance)

Product Highlights:

- Accessory
- Accessory Type = Guide Module
- PCB Mounting Orientation = Right Angle
- Not Keyed
- Thread Size = 4-40

[View all Features](#)

Quick Links

- ▶ [Pricing & Availability](#)
- ▶ [Search for Tooling](#)
- ▶ [Product Feature Selector](#)
- ▶ [Contact Us About This Product](#)

[Add to My Part List](#)

[Request Sample](#)

[Find Similar Products](#)

[Buy Product](#)

Documentation & Additional Information

Product Drawings:

- [MODULE, FEMALE GUIDE, UNIVERSAL POWER MODULE](#) (PDF, English)

Catalog Pages/Data Sheets:

- [POWER_CONNECTORS_CATALOG_SEC01_BOARD_TO_BOARD](#) (PDF, English)
- [2_PIECE_POWER_CONNECTORS_qrg_4-1773458-1](#) (PDF, English)

Product Specifications:

- None Available

Application Specifications:

- None Available

Instruction Sheets:

- None Available

CAD Files: (CAD Format & Compression Information)

- [2D Drawing](#) (DXF, Version A)
- [3D Model](#) (IGES, Version A)
- [3D Model](#) (STEP, Version A)

[List all Documents](#)

Additional Information:

- [Product Line Information](#)

Related Products:

- [Tooling](#)

Product Features (Please use the Product Drawing for all design activity)

Product Type Features:

- [Product Type](#) = Accessory
- [Accessory Type](#) = Guide Module
- PCB Mounting Orientation = Right Angle
- [Keyed](#) = No
- [Thread Size](#) = 4-40

Body Features:

- Guide Module Material = Zinc Alloy Die Casting , Zamak 3
- Guide Module Finish = Chromate Conversion

Industry Standards:

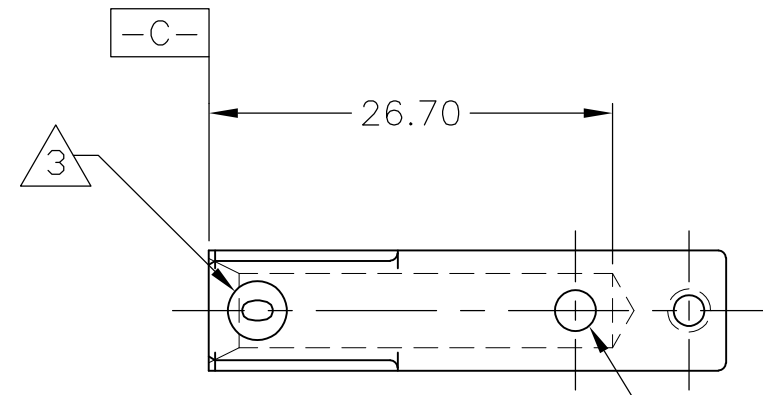
- [RoHS/ELV Compliance](#) = RoHS compliant, ELV compliant
- [Lead Free Solder Processes](#) = Not relevant for lead free process
- [RoHS/ELV Compliance History](#) = Always was RoHS compliant

Other:

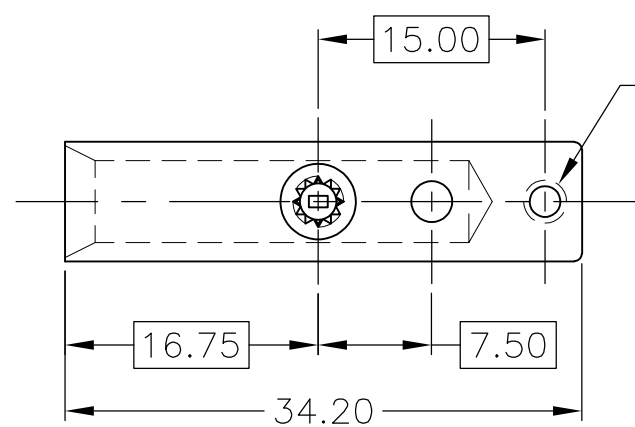
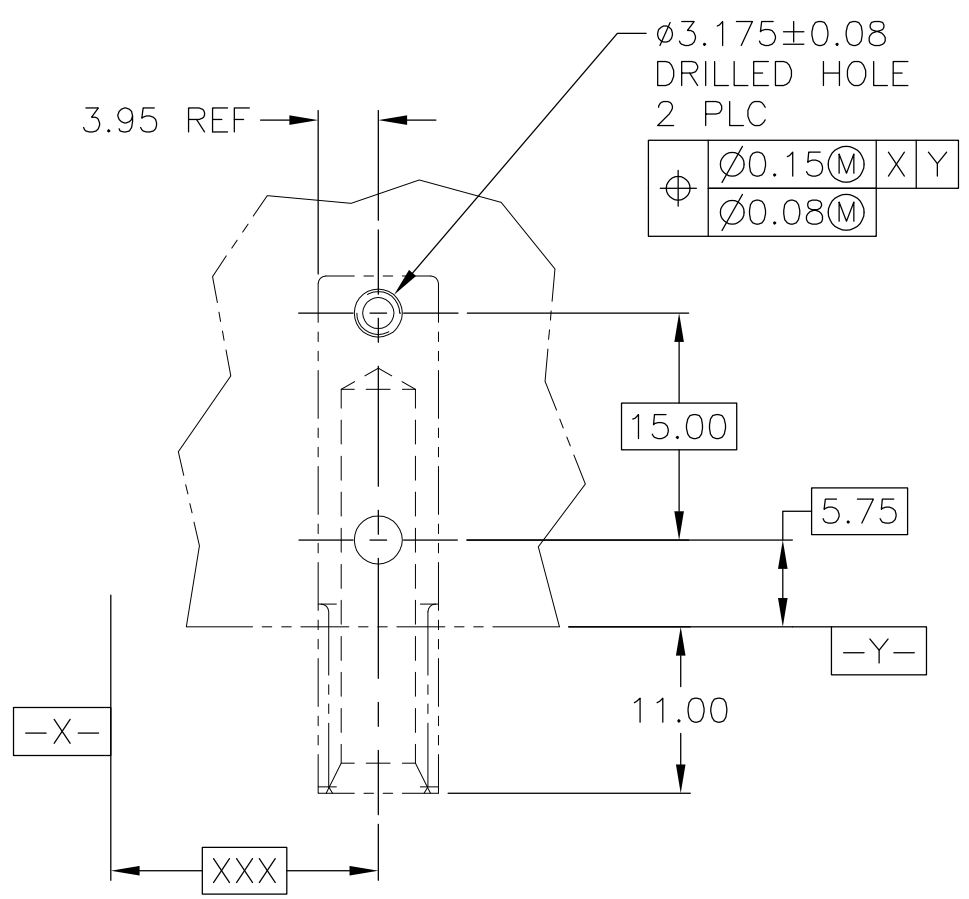
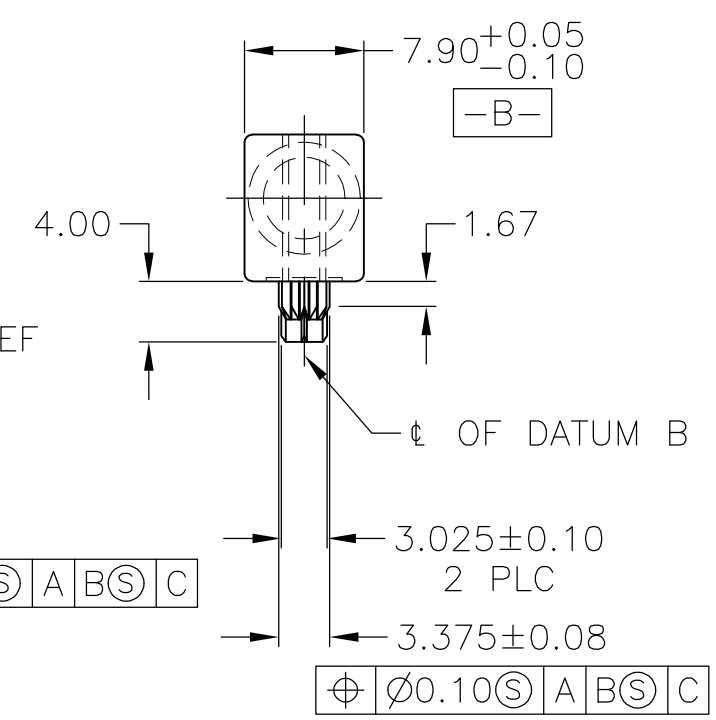
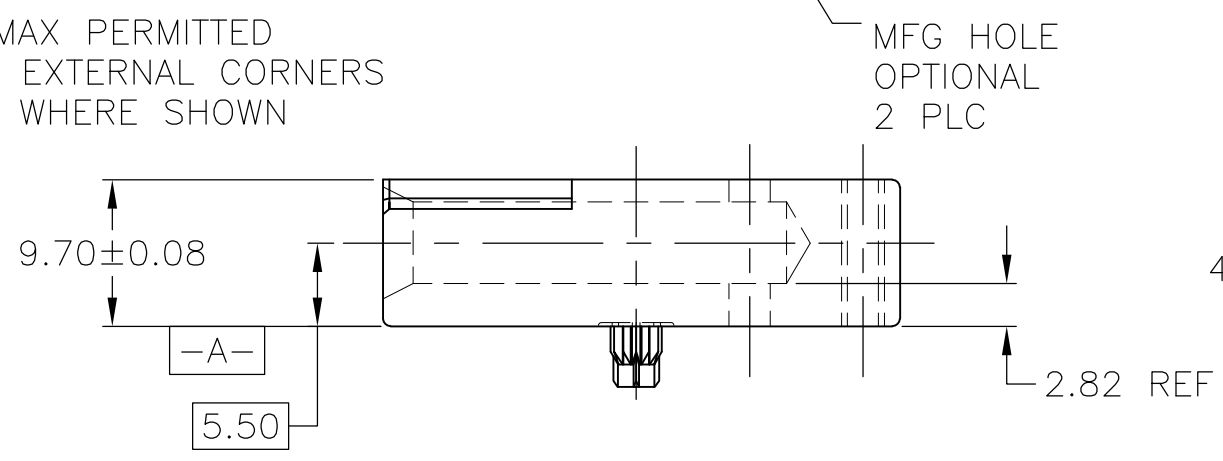
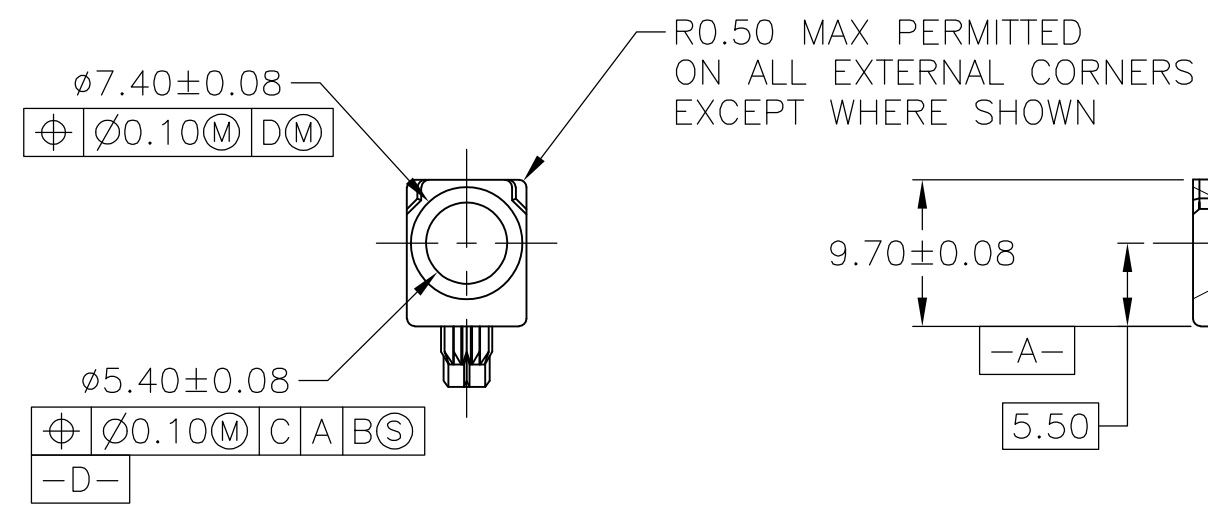
- Brand = AMP

THIS DRAWING IS UNPUBLISHED. RELEASED FOR PUBLICATION
 © COPYRIGHT - By - ALL RIGHTS RESERVED.

LOC	DIST	REVISIONS			
P	LTR	DESCRIPTION	DATE	DWN	APVD
AD	00	A1	REVISED PER ECO-11-004835	11MAR11	RK HMR



- 1 MATERIAL: ZINC ALLOY DIE CASTING, ZAMAK 3.
- 2 SURFACE FINISH: CHROMATE CONVERSION COATING. (ROHS COMPATIBLE).
- 3 M3 "0" THREAD IDENTIFIER.
- 4 PACKAGE QTY 500 PCS.



SEE TABLE
 $\phi \phi 0.10 \text{ (S) A B (S) C}$

3 4	-	5223957-4
3	M3 X 0.5	5223957-3
-	#4-40 UNC-2B	5223957-1
REMARKS	THREAD TYPE	PART NUMBER

THIS DRAWING IS A CONTROLLED DOCUMENT.		DWN J. POLIGNONE 05APR05	STE TE Connectivity	
DIMENSIONS: mm		CHK R. PATTERSON 05APR05		
TOLERANCES UNLESS OTHERWISE SPECIFIED:		APVD R. PATTERSON 05APR05	NAME	
0 PLC ± -		PRODUCT SPEC	MODULE, FEMALE GUIDE, UNIVERSAL POWER MODULE	
1 PLC ± -		APPLICATION SPEC	SIZE	CAGE CODE
2 PLC ± 0.13		WEIGHT	A3	00779
3 PLC ± -		CUSTOMER DRAWING	DRAWING NO C-5223957	
4 PLC ± -		SCALE	2:1	SHEET
ANGLES ± -		RESTRICTED TO	1 OF 1	
FINISH		REV	A1	
1	2			