

Distributed by:

JAMECO[®]
ELECTRONICS

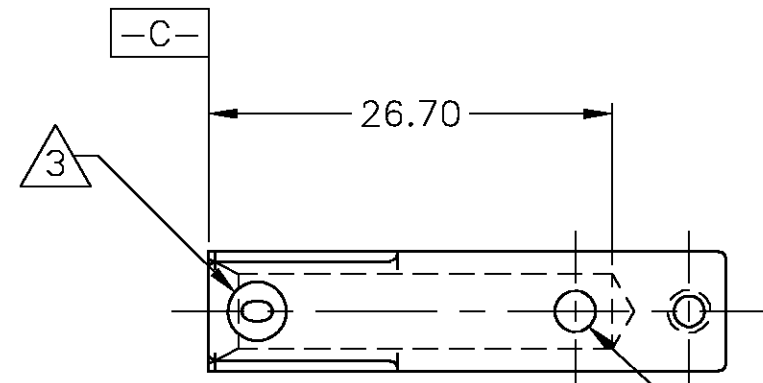
www.Jameco.com ♦ 1-800-831-4242

The content and copyrights of the attached
material are the property of its owner.

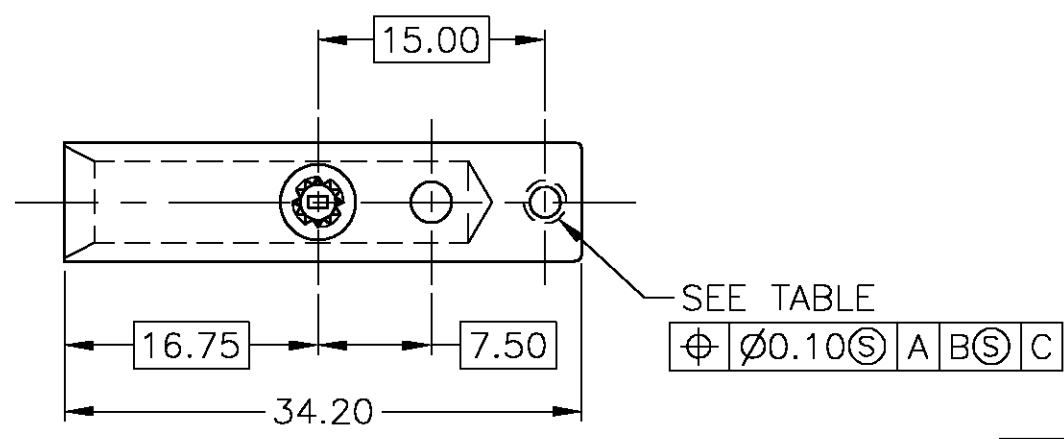
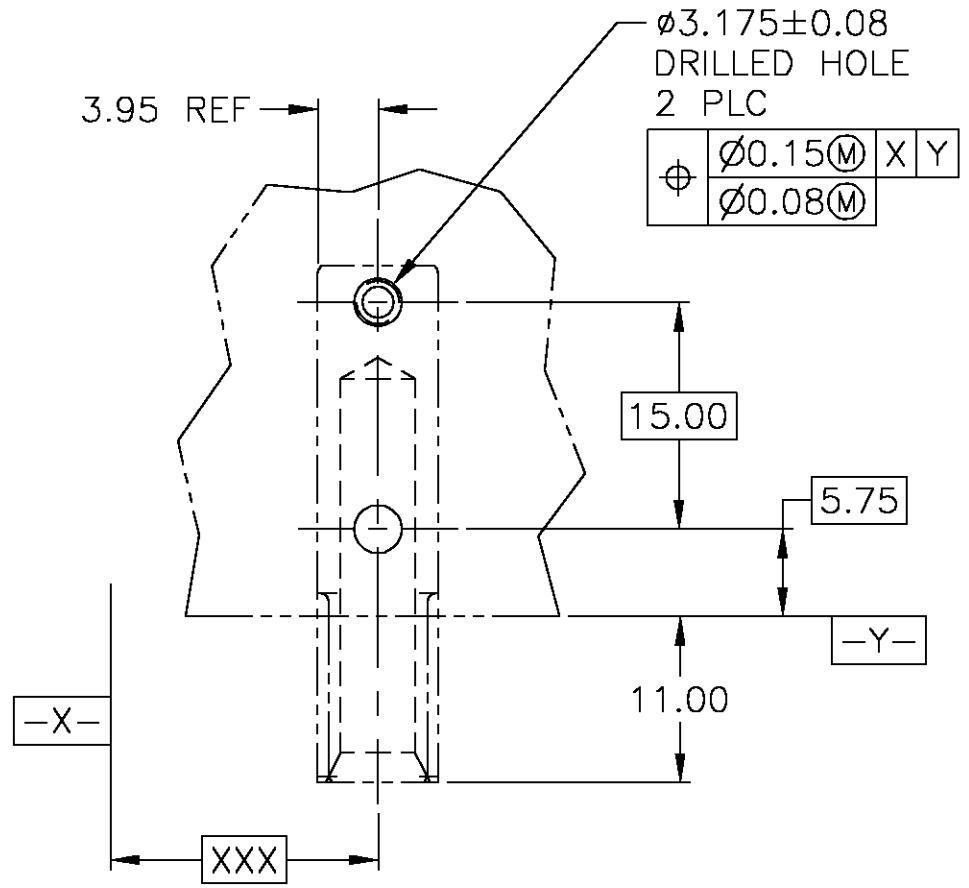
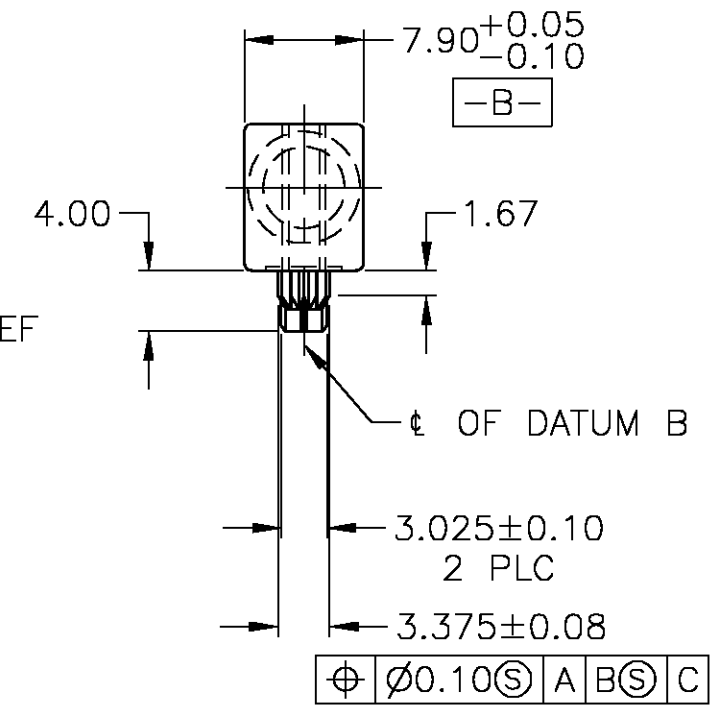
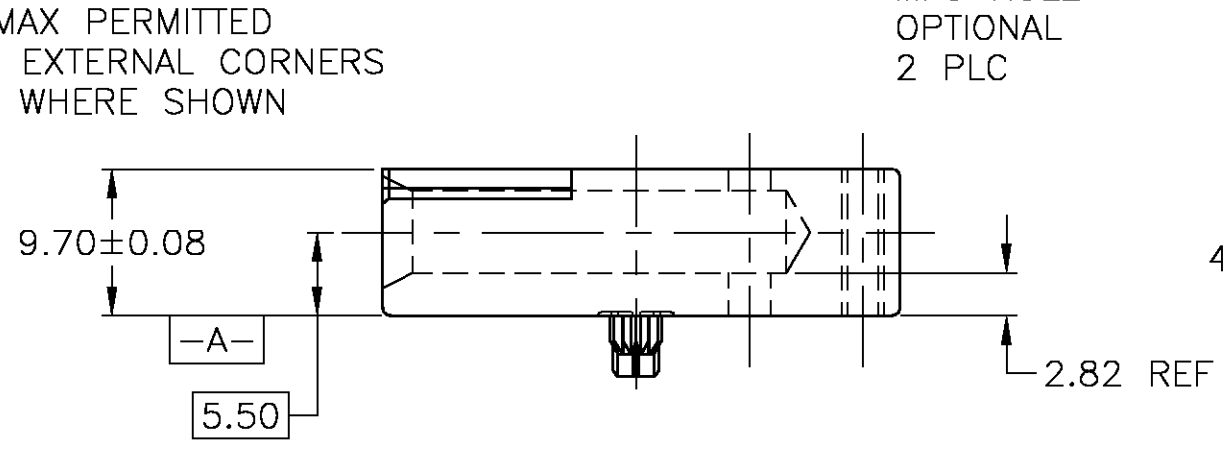
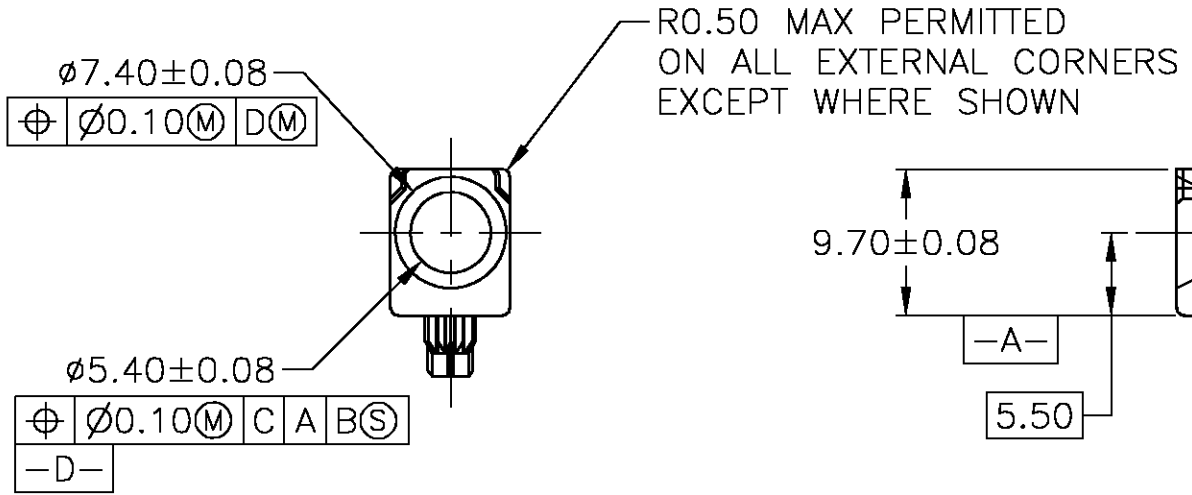
Jameco Part Number 952255

THIS DRAWING IS UNPUBLISHED. RELEASED FOR PUBLICATION
 © COPYRIGHT BY TYCO ELECTRONICS CORPORATION. ALL RIGHTS RESERVED.

LOC	DIST	REVISIONS			
P	LTR	DESCRIPTION	DATE	DWN	APVD
AD	00	0	RELEASED PER EC 0512-0101-05	05APR05	JDP RAP



- 1 MATERIAL: ZINC ALLOY DIE CASTING, ZAMAK 3.
- 2 SURFACE FINISH: CHROMATE CONVERSION COATING. (ROHS COMPATIBLE).
- 3 M3 "0" THREAD IDENTIFIER.



SEE TABLE
 $\phi \phi 0.10 \text{ (S) A B (S) C}$

M3 X 0.5	3 5223957-3
#4-40 UNC-2B	5223957-1
THREAD TYPE	PART NUMBER

THIS DRAWING IS A CONTROLLED DOCUMENT.		DWN J. POLIGNONE 05APR05	Tyco Electronics Corporation Harrisburg, PA, 17105-3608			
DIMENSIONS: MM		CHK R. PATTERSON 05APR05				
TOLERANCES UNLESS OTHERWISE SPECIFIED:		APVD R. PATTERSON 05APR05	NAME			
0 PLC ± - 1 PLC ± - 2 PLC ± 0.13 3 PLC ± - 4 PLC ± - ANGLES ± -		PRODUCT SPEC	MODULE, FEMALE GUIDE, UNIVERSAL POWER MODULE			
MATERIAL 1		FINISH 2	SIZE A3	CAGE CODE 00779	DRAWING NO C-5223957	RESTRICTED TO
CUSTOMER DRAWING			SCALE 2:1	SHEET 1 OF 1	REV 0	