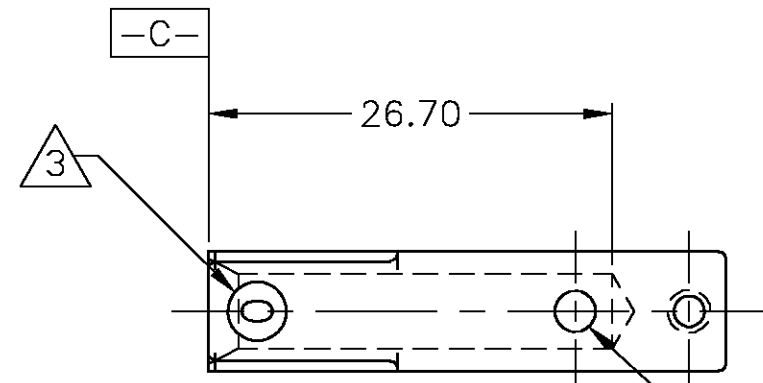
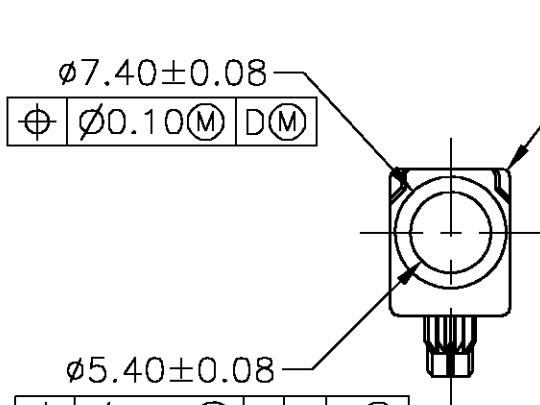


THIS DRAWING IS UNPUBLISHED. RELEASED FOR PUBLICATION
 © COPYRIGHT BY TYCO ELECTRONICS CORPORATION. ALL RIGHTS RESERVED.

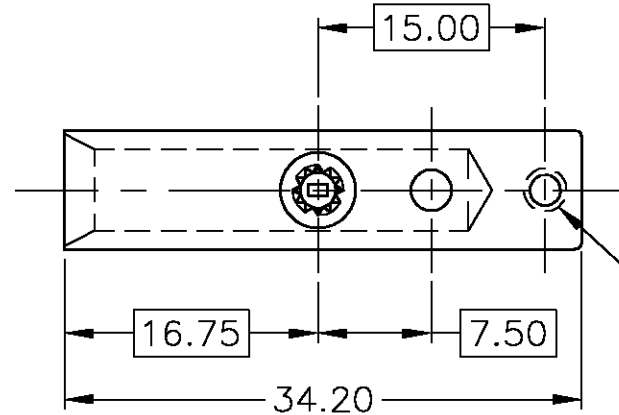
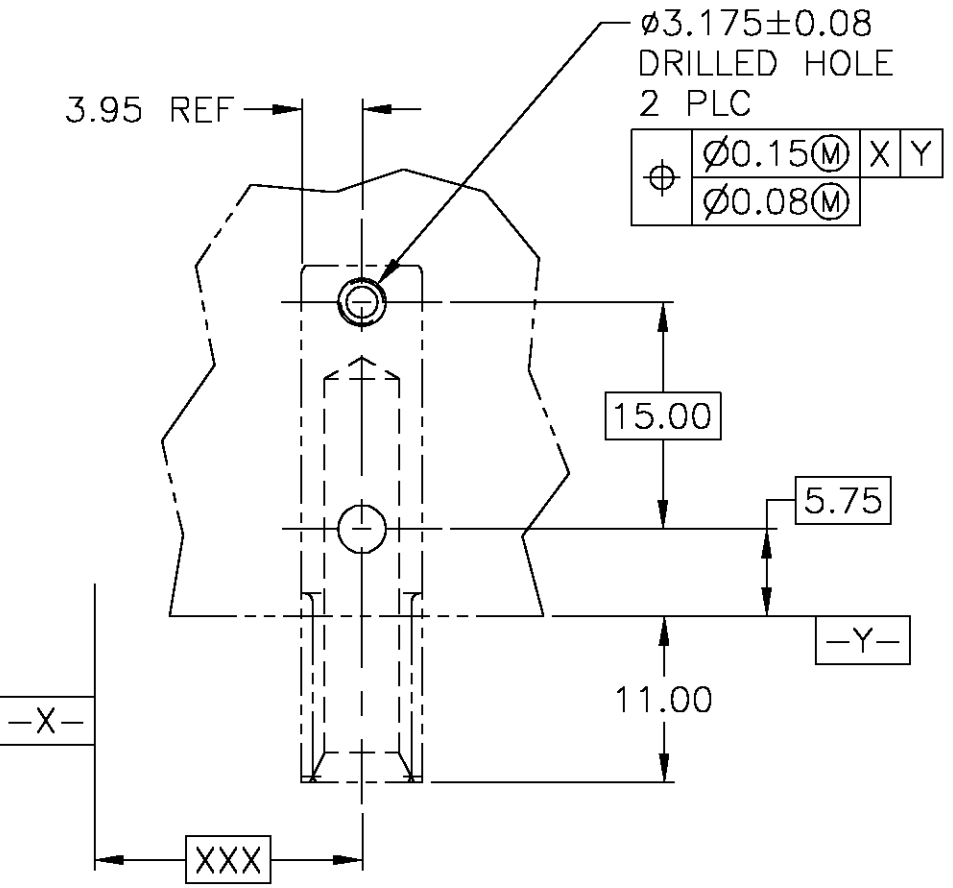
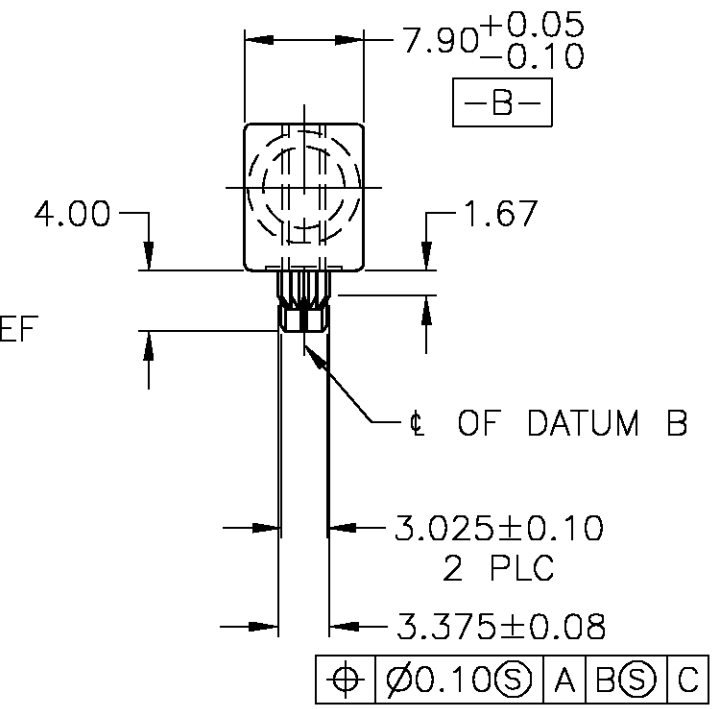
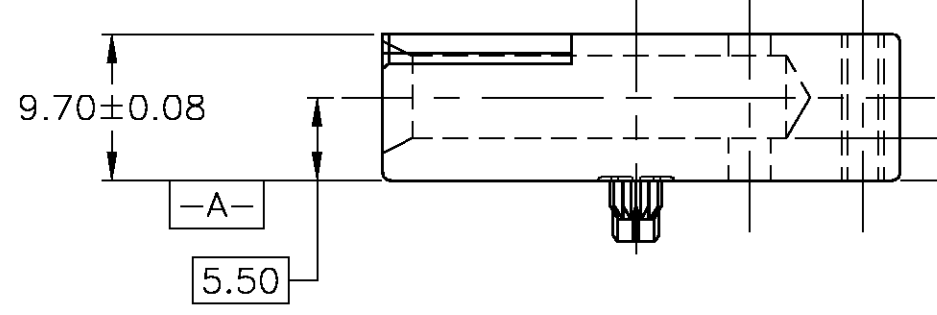
| LOC | DIST | REVISIONS | | | |
|-----|------|-------------|------------------------------|---------|---------|
| P | LTR | DESCRIPTION | DATE | DWN | APVD |
| AD | 00 | 0 | RELEASED PER EC 0512-0101-05 | 05APR05 | JDP RAP |



- 1 MATERIAL: ZINC ALLOY DIE CASTING, ZAMAK 3.
- 2 SURFACE FINISH: CHROMATE CONVERSION COATING. (ROHS COMPATIBLE).
- 3 M3 "0" THREAD IDENTIFIER.



R0.50 MAX PERMITTED ON ALL EXTERNAL CORNERS EXCEPT WHERE SHOWN



SEE TABLE
 ϕ 0.10(S) A B(S) C

| | |
|--------------|-------------|
| M3 X 0.5 | 3 5223957-3 |
| #4-40 UNC-2B | 5223957-1 |
| THREAD TYPE | PART NUMBER |

| | | | | |
|--------------------------------------------------------------------------------|--|---------------------------|------------------------------------------------------------|-----------------|
| THIS DRAWING IS A CONTROLLED DOCUMENT. | | DWN J. POLIGNONE 05APR05 | Tyco Electronics Corporation Harrisburg, PA, 17105-3608 | |
| DIMENSIONS: MM | | CHK R. PATTERSON 05APR05 | | |
| TOLERANCES UNLESS OTHERWISE SPECIFIED: | | APVD R. PATTERSON 05APR05 | NAME | |
| 0 PLC ± - 1 PLC ± - 2 PLC ± 0.13 3 PLC ± - 4 PLC ± - ANGLES ± - | | PRODUCT SPEC - | MODULE, FEMALE GUIDE, UNIVERSAL POWER MODULE | |
| MATERIAL 1 | | FINISH 2 | APPLICATION SPEC - | RESTRICTED TO - |
| | | WEIGHT - | SIZE A3 | CAGE CODE 00779 |
| | | CUSTOMER DRAWING | DRAWING NO C-5223957 | RESTRICTED TO - |
| | | SCALE 2:1 | SHEET 1 OF 1 | REV 0 |