



**Have a Question?**  
 Chat with a Product Information Specialist

What can we help you find?

[Products](#) [Industries](#) [Resources](#) [About TE](#) [My Account](#) [Innovation](#) [Support Center](#)

## 5225395-1 Product Details

[Share](#) [Print](#) [Email](#)



**5225395-1**

TE Internal Number: 5225395-1

Active

[View 3D PDF](#)

### BNC RF Connectors

Always EU RoHS/ELV Compliant (Statement of Compliance)

#### Product Highlights:

- Connector - RF
- Plug
- Connector Style = Plug
- Applies To Coaxial Cable
- Coaxial Cable Termination Type = Crimp

[View all Features](#)

### Quick Links

- ▶ [Pricing & Availability](#)
- ▶ [Search for Tooling](#)
- ▶ [Product Feature Selector](#)
- ▶ [Contact Us About This Product](#)

[Add to My Part List](#) [Request Sample](#) [Find Similar Products](#) [Buy Product](#)

### Documentation & Additional Information

#### Product Drawings:

- [PLUG DUAL CRIMP, BNC \(PDF, English\)](#)

#### Catalog Pages/Data Sheets:

- [BNC Connectors \(PDF, English\)](#)

#### Product Specifications:

- None Available

#### Application Specifications:

- None Available

#### Instruction Sheets:

- [COAXICON 50-Ohm RF Series BNC Plug Connectors 225395... \(PDF, English\)](#)

#### CAD Files: (CAD Format & Compression Information)

- [2D Drawing \(DXF, Version A\)](#)
- [3D Model \(IGES, Version A\)](#)
- [3D Model \(STEP, Version A\)](#)

[List all Documents](#)

#### Related Products:

- [Tooling](#)

### Product Features (Please use the Product Drawing for all design activity)

#### Product Type Features:

- [Product Type](#) = Connector - RF
- [Gender](#) = Plug
- [Grade](#) = Military
- [Sealed](#) = No
- [Isolated](#) = No
- [Dielectric Material](#) = Fluoropolymer
- [Coupling Nut Material](#) = Brass
- [Solder Terminal](#) = Without

#### Mechanical Attachment:

- [Surface Mountable](#) = No
- [Hardware Included](#) = No
- [Panel Mount Retention](#) = Without

#### Electrical Characteristics:

- [Connector Impedance \(Ω\)](#) = 50

#### Termination Features:

- [Coaxial Cable Termination Type](#) = Crimp
- [Crimp Type](#) = Dual

#### Body Features:

- [Body Style](#) = Straight
- [Body Plating](#) = Nickel
- [Body Insulation](#) = Without
- [Polarized](#) = No

#### Contact Features:

- [Center Contact Material](#) = Brass
- [Center Contact Plating](#) = Gold

#### Housing Features:

- [Connector Style](#) = Plug

#### Configuration Features:

- [Coaxial Cable Type \(RG/U or Mfg.\)](#) = 58, 58A, 58B, 58C
- [Number of Ports](#) = 1

#### Industry Standards:

- [Government/Industry Qualification](#) = No
- [RoHS/ELV Compliance](#) = RoHS compliant, ELV compliant
- [Lead Free Solder Processes](#) = Not relevant for lead free process
- [RoHS/ELV Compliance History](#) = Always was RoHS compliant

#### Conditions for Usage:

- [Applies To](#) = Coaxial Cable

#### Other:

- [Brand](#) = AMP

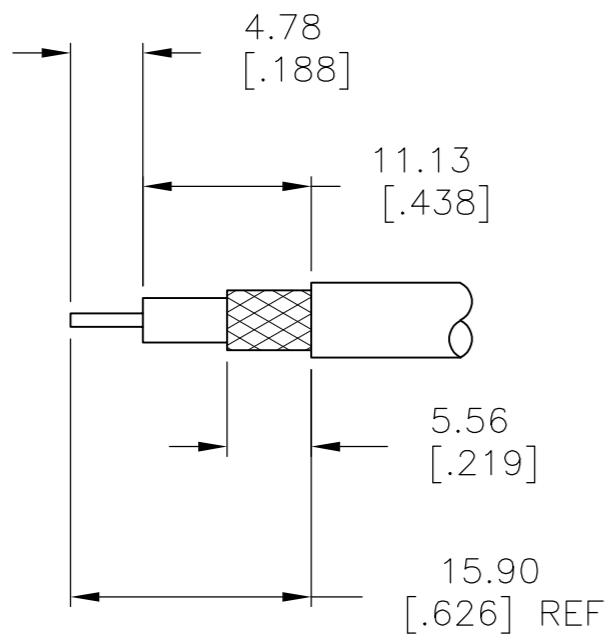
THIS DRAWING IS UNPUBLISHED. RELEASED FOR PUBLICATION  
 © COPYRIGHT - By - ALL RIGHTS RESERVED.

LOC	DIST	REVISIONS					
		P	LTR	DESCRIPTION	DATE	DWN	APVD
AJ	16						
		P		REVISED PER ECO-11-005030	11MAR11	RK	HMR
		R		REVISED PER ECO-12-018113	27DEC2012	TD	AC

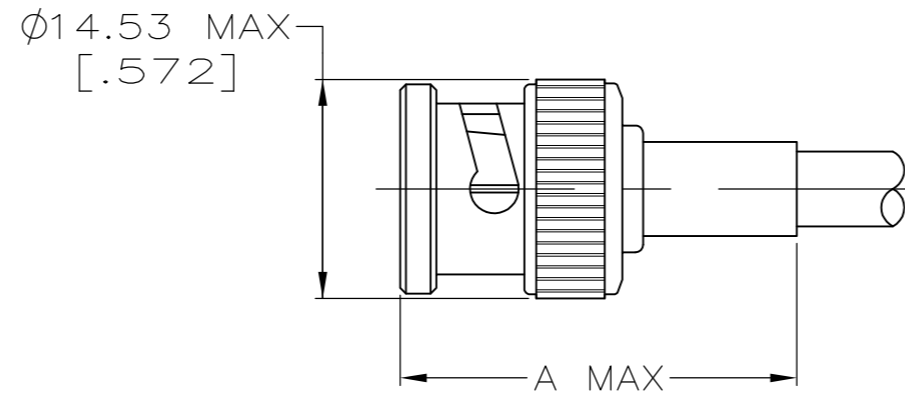
1. SEE I.S. 408-1914-1

2 REMOVE FOIL TO OUTER JACKET

3 OBSOLETE PARTS: OBSOLETE CIS STREAMLINING PER D.RENAUD/D.SINISI



RECOMMENDED STRIP LENGTH



2	RG-188 DOUBLE BRAID	220009-1	30.94 [1.218]	21427-2	9-329049-0	1-331352-2	3-331349-1	3 5-5225395-6	
	BELDEN 88240, HI-TEMP RG-58/U, BERK-TEK BTDC 58	69478-1	34.14 [1.344]	-	9-228783-0	1-331357-3	2-331349-9	4-5225395-2	
OBSOLETE	HI-TEMP RG-62A/U, TIMES PL62, BELDEN 88241, BERK-TEK BTDC 59 & 62	69477-1	34.14 [1.344]	-	9-228784-0	2-331352-3	3-331349-0	4-5225395-1	
	BELDEN 8212	69477-1	30.94 [1.218]	-	9-50428-0	1-331352-7	3-331349-0	2-5225395-0	
	AMPHENOL 21-597	69477-2	30.94 [1.218]	-	9-329461-0	1-331352-2	3-331349-1	1-5225395-0	
	RG-179/U, 187/U	220009-1	30.94 [1.218]	21427-2	9-328666-0	1-331352-4	3-331349-1	5225395-8	
	RG-174/U, 188/U	220009-1	30.94 [1.218]	21427-2	9-328666-0	1-331352-2	3-331349-1	5225395-7	
	RG-142/U, 142A/U, 142B/U	69478-1	30.94 [1.218]	-	9-329099-0	1-331357-4	2-331349-9	5225395-6	
	RG-141/U & 141A/U	69478-1	30.94 [1.218]	-	9-50427-1	1-331357-4	2-331349-9	5225395-5	
	RG-55/U, 55A/U, 55B/U, 223/U	69478-1	30.94 [1.218]	-	9-329099-0	1-331357-3	2-331349-9	5225395-3	
	RG-59/U, 59A/U, 59B/U, 62/U, 62A/U, 62B/U	69477-1	30.94 [1.218]	-	9-50428-0	2-331352-3	3-331349-0	5225395-2	
	RG-58/U, 58A/U, 58B/U, 58C/U	69478-1	30.94 [1.218]	-	9-50427-1	1-331357-3	2-331349-9	5225395-1	
	FOR USE WITH CABLE	CRIMP TOOL	A	4	SLEEVE QTY=1	3 FERRULE QTY=1	2 CONTACT QTY=1	1 PLUG ASSEMBLY QTY=1	PART NUMBER

THIS DRAWING IS A CONTROLLED DOCUMENT.

DIMENSIONS: mm [INCHES]	TOLERANCES UNLESS OTHERWISE SPECIFIED:	DWN 31JAN2005 A. FERNANDEZ-DOCK5 CHK 31JAN2005 J. HAVENER APVD 31JAN2005 J. LIPPERT	NAME PLUG DUAL CRIMP, BNC
	0 PLC ± - 1 PLC ± - 2 PLC ± 0.041 [.016] 3 PLC ± - 4 PLC ± - ANGLES ± -	PRODUCT SPEC 108-12020 APPLICATION SPEC	SIZE A2
MATERIAL	FINISH	WEIGHT	CAGE CODE 00779
			DRAWING NO 5225395
			RESTRICTED TO
		CUSTOMER DRAWING	SCALE 2:1 SHEET 1 OF 1 REV R

TE Connectivity