



Have a Question?
 Chat with a Product Information Specialist

What can we help you find?

[Products](#) [Industries](#) [Resources](#) [About TE](#) [My Account](#) [Innovation](#) [Support Center](#)

5227079-6 Product Details

[Share](#) [Print](#) [Email](#)



5227079-6

TE Internal Number: 5227079-6

Active

[View 3D PDF](#)

BNC RF Connectors

Always EU RoHS/ELV Compliant (Statement of Compliance)

Product Highlights:

- Connector - RF
- Plug
- Connector Style = Plug
- Applies To Coaxial Cable
- Coaxial Cable Termination Type = Crimp

[View all Features](#)

Quick Links

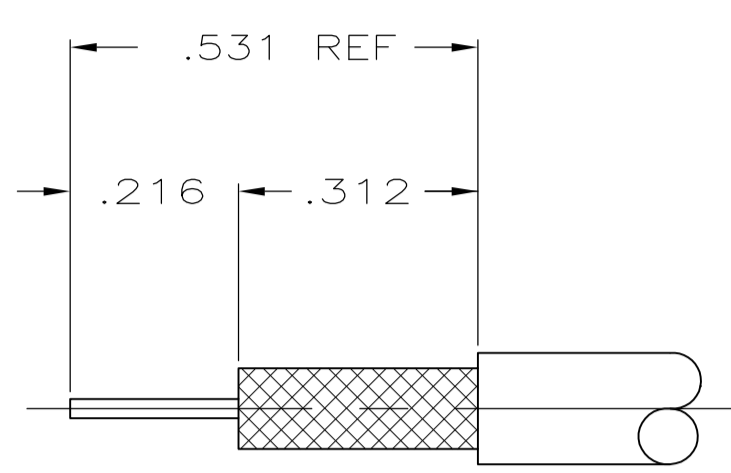
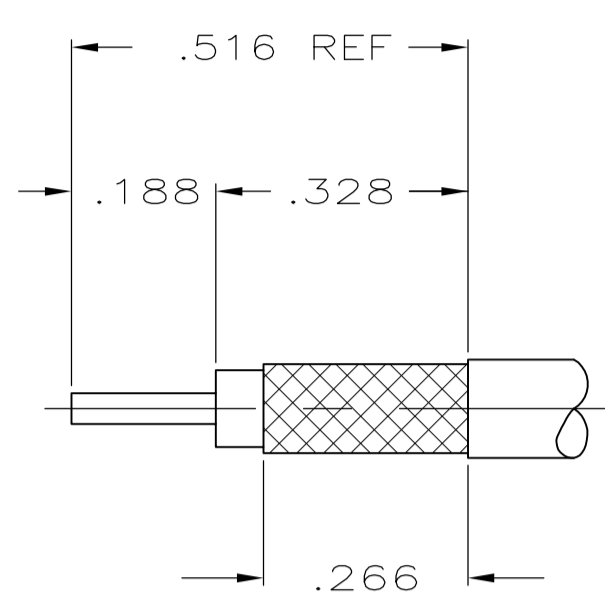
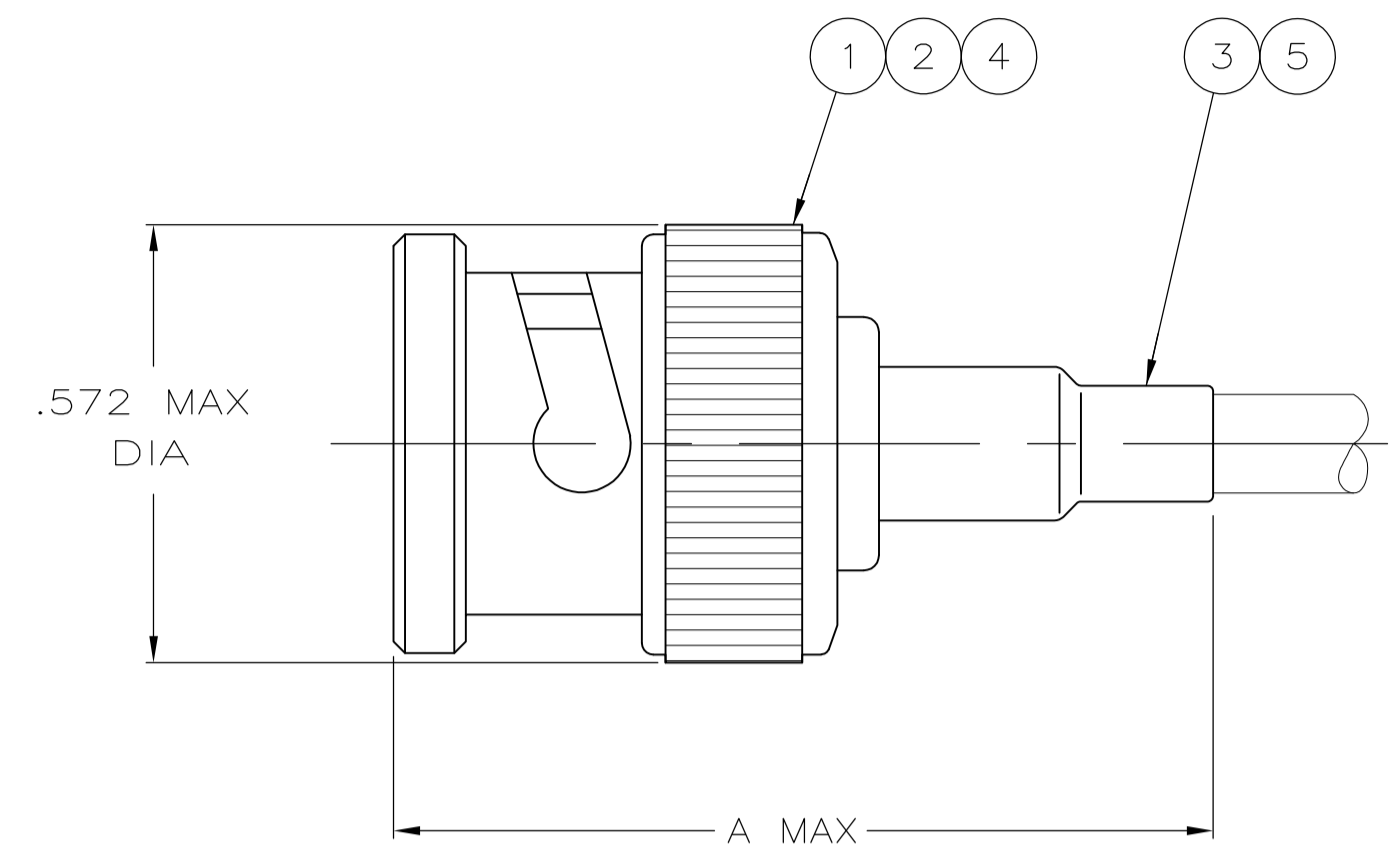
- ▶ [Pricing & Availability](#)
- ▶ [Search for Tooling](#)
- ▶ [Product Feature Selector](#)
- ▶ [Contact Us About This Product](#)

[Add to My Part List](#) [Request Sample](#) [Find Similar Products](#) [Buy Product](#)

Documentation & Additional Information	
<p>Product Drawings:</p> <ul style="list-style-type: none"> • PLUG, COMMERCIAL, BNC (PDF, English) <p>Catalog Pages/Data Sheets:</p> <ul style="list-style-type: none"> • BNC Connectors (PDF, English) <p>Product Specifications:</p> <ul style="list-style-type: none"> • None Available <p>Application Specifications:</p> <ul style="list-style-type: none"> • None Available <p>Instruction Sheets:</p> <ul style="list-style-type: none"> • None Available <p>CAD Files: (CAD Format & Compression Information)</p> <ul style="list-style-type: none"> • 2D Drawing (DXF, Version C) • 3D Model (IGES, Version C) • 3D Model (STEP, Version C) 	<p>Related Products:</p> <ul style="list-style-type: none"> • Tooling

[List all Documents](#)

Product Features (Please use the Product Drawing for all design activity)	
<p>Product Type Features:</p> <ul style="list-style-type: none"> • Product Type = Connector - RF • Gender = Plug • Grade = Commercial • Sealed = No • Isolated = No • Dielectric Material = Polyethylene • Coupling Nut Material = Brass • Solder Terminal = Without <p>Mechanical Attachment:</p> <ul style="list-style-type: none"> • Surface Mountable = No • Hardware Included = No • Panel Mount Retention = Without <p>Electrical Characteristics:</p> <ul style="list-style-type: none"> • Connector Impedance (Ω) = 50 <p>Termination Features:</p> <ul style="list-style-type: none"> • Coaxial Cable Termination Type = Crimp • Crimp Type = Dual <p>Body Features:</p> <ul style="list-style-type: none"> • Body Style = Straight • Body Plating = Nickel • Body Insulation = Without • Polarized = No 	<p>Contact Features:</p> <ul style="list-style-type: none"> • Center Contact Material = Brass • Center Contact Plating = Gold <p>Housing Features:</p> <ul style="list-style-type: none"> • Connector Style = Plug <p>Configuration Features:</p> <ul style="list-style-type: none"> • Coaxial Cable Type (RG/U or Mfg.) = 223, 55, 55A, 55B • Number of Ports = 1 <p>Industry Standards:</p> <ul style="list-style-type: none"> • Government/Industry Qualification = No • RoHS/ELV Compliance = RoHS compliant, ELV compliant • Lead Free Solder Processes = Not relevant for lead free process • RoHS/ELV Compliance History = Always was RoHS compliant <p>Conditions for Usage:</p> <ul style="list-style-type: none"> • Applies To = Coaxial Cable <p>Other:</p> <ul style="list-style-type: none"> • Brand = AMP



VIEW A

VIEW B

RECOMMENDED STRIP LENGTH

- 1 CABLE USED WITHOUT SPACER
- 2 CABLE USED WITH SPACER
- 3. SEE INSTRUCTION SHEET 408-2798
- 4. PARTS PACKAGED UNASSEMBLED
- 5 USE WITH HAND TOOL FRAME 354940-1
- 6 USE WITH HANDTOOL 69710-1, OR PNEUMATIC TOOL 69365 & 69365-3
- 7 OBSOLETE PARTS: OBSOLETE CIS STREAMLINING PER D.RENAUD/D.SINISI

	RG-174/U & 188/U	220217-3	220210-1	220009-5	A	1.090	227194-1	-	9-328666-4	227322-8	9-227074-1	8-5227079-3
	RG-188 DOUBLE BRAID AND RG-316 DOUBLE BRAID	-	58330-1	69477-4	A	-	227194-1	-	9-329049-0	227322-8	9-413530-3	8-5227079-2
	RG-59/U,59A/U AND 59B/U	220217-2	220189-2	220187-2	A	1.090	-	227423-1	9-50428-0	221607-6	9-413530-0	8-5227079-1
	RG-62/U,62A/U AND 62B/U	220217-1	220189-1	220187-1	A	1.090	-	-	9-50427-1	221607-5	9-227074-0	8-5227079-0
⚠	OBSOLETE BELDEN 88240 AND BERK-TEK BTDC-58	220217-1	220189-1	220187-1	A	1.312	-	-	9-228783-0	221607-5	9-227074-0	7-5227079-5
	RG-58/U,58A/U,58B/U,58C/U, AND 141/U	220217-1	220189-1	220187-1	A	1.090	-	-	9-50427-1	221607-5	9-227074-0	8-5227079-0
	BELDEN 88240 AND BERK-TEK BTDC-58	220217-1	220189-1	220187-1	A	1.312	-	-	9-228783-0	221607-5	9-227074-0	7-5227079-5
	RG-62/U,62A/U AND 62B/U	220217-2	220189-2	220187-2	B	1.090	-	227423-1	9-50428-0	9-221607-6	9-413530-0	7-5227079-2
	RG-59/U,59A/U AND 59B/U	220217-2	220189-2	220187-2	A	1.090	-	-	9-50427-1	221607-5	9-227074-0	6-5227079-8
	BELDEN 89907	-	318452-2	-	A	1.312	-	-	9-228783-0	1-221607-6	9-227074-0	6-5227079-8
	BELDEN 9907 AND RG-141A/U	220217-1	220189-1	220187-1	A	1.090	-	-	9-50427-1	1-221607-6	9-227074-0	6-5227079-7
	BELDEN 9290	-	-	220043-1	A	1.490	-	-	9-51713-3	1-221607-6	9-413530-1	6-5227079-5
⚠	OBSOLETE BELDEN 9907	220217-1	220189-1	220187-1	A	1.090	-	-	9-50427-1	1-221607-6	9-227074-0	6-5227079-4
	RG-142/U,142A/U, AND 142B/U	220217-1	220189-1	220187-1	A	1.280	-	-	9-225382-0	1-221607-6	9-227074-0	6-5227079-1
⚠	OBSOLETE HI TEMP RG-59/U,TIMES PL59 AND PLF59	-	220189-5	-	A	1.312	-	-	9-228784-0	221607-5	9-413530-0	5-5227079-3
	BELDEN 88240 AND BERK-TEK BTDC-58	220217-1	220189-1	220187-1	A	1.312	-	-	9-228783-0	221607-5	9-227074-0	4-5227079-3
	RG-179/U & 187/U	220217-3	220210-1	220009-5	A	1.090	227194-1	-	9-328666-0	227322-4	9-227074-1	2-5227079-2
	RG-179/U & 187/U	220217-3	220210-1	220009-5	A	1.090	227194-1	-	9-328666-0	9-227322-1	9-413530-3	2-5227079-0
	BELDEN 8218,AMPHENOL 21-597 & BELDEN NH SPECIAL	-	58330-1	69477-4	A	1.090	-	-	9-329461-0	2-221607-2	9-413530-2	1-5227079-9
	RG-174/U & 188/U	220217-3	220210-1	220009-5	A	1.090	227194-1	-	9-328666-0	227322-8	9-227074-1	1-5227079-6
1	RG-59/U,59A/U & 59B/U	220217-2	220189-2	220187-2	A	1.090	-	227423-1	9-50428-0	9-221607-6	9-413530-0	1-5227079-1
2	RG-62/U,62A/U & 62B/U	220217-2	220189-2	220187-2	B	1.090	-	227423-1	9-50428-0	9-221607-6	9-413530-0	1-5227079-1
	RG-58/U,58A/U,58B/U,58C/U & 141/U	220217-1	220189-1	220187-1	A	1.090	-	-	9-50427-1	9-221607-5	9-227074-0	5227079-9
1	RG-59/U,59A/U & 59B/U	220217-2	220189-2	220187-2	A	1.090	-	227423-1	9-50428-0	221607-6	9-227074-2	5227079-7
2	RG-62/U,62A/U & 62B/U	220217-2	220189-2	220187-2	B	1.090	-	227423-1	9-50428-0	221607-6	9-227074-2	5227079-7
	RG-55/U,55A/U,55B/U, & 223/U	220217-1	220189-1	220187-1	A	1.280	-	-	9-225382-0	221607-5	9-227074-0	5227079-6
	RG-58/U,58A/U,58B/U,58C/U & 141/U	220217-1	220189-1	220187-1	A	1.090	-	-	9-50427-1	221607-5	9-227074-0	5227079-5
	CABLE SIZE	DIE SET ⚠	DIE SET ⚠	CRIMP TOOL	VIEW	A	5 TUBING QTY=1	4 SPACER QTY=1	3 FERRULE QTY=1	2 CONTACT QTY=1	1 PLUG ASSY QTY=1	PART NUMBER

THIS DRAWING IS A CONTROLLED DOCUMENT.

DIMENSIONS: INCHES	TOLERANCES UNLESS OTHERWISE SPECIFIED:	DIN J. HAVENER 29MAR2005	 TE Connectivity
0 PLC ± -	1 PLC ± -	29MAR2005	
2 PLC ± -	3 PLC ± .016	APVD J. LIPPERT 29MAR2005	NAME
4 PLC ± -	ANGLES ± -		PRODUCT SPEC
			108-12044
			APPLICATION SPEC
MATERIAL	FINISH	SIZE	CAGE CODE
		A1	00779
		WEIGHT	DRAWING NO
			5227079
		CUSTOMER DRAWING	RESTRICTED TO
		SCALE 4:1	SHEET 1 of 1
			REV D2