

BNC Connectors, 50 Ohm (Continued)

Insulating Bushings



Part No. 227223-1



Recommended Panel Cutout



Part No. 221951-1



Recommended Panel Cutout

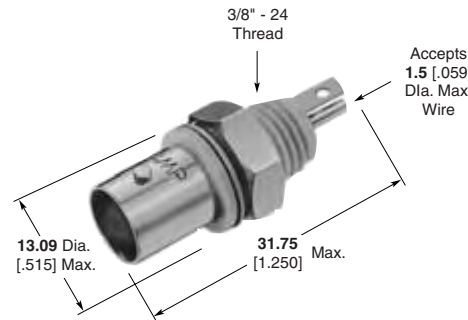
Isolated Bulkhead Solder Jacks, Front Mount

Plating

Body — Nickel

Dielectric — White VALOX

| Center Contact Plating | Flange & Thread Material | Part No. |
|------------------------|--------------------------|------------------|
| Tin | VALOX | 5227726-1 |
| Silver | VALOX | 5227726-2 |
| Gold | VALOX | 5227726-3 |



Recommended Panel Cutout

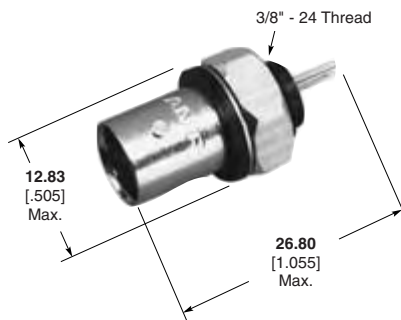
Plating

Body — Nickel

Center Contact — Silver

Dielectric — Black VALOX

Flange & Thread Material — Black VALOX



Part No. 5414194-1



Recommended Panel Cutout

Sealed Bulkhead Solder Jack, Rear Mount

Plating

Body — Nickel

Center Contact — Gold

Dielectric — Polymethylpentene

This connector is designed to prevent moisture from entering the interface from the rear of the connector.



Part No. 5227426-1



Recommended Panel Cutout

Note: Part Numbers are RoHS compliant except: ♦ Indicates non-RoHS compliant.

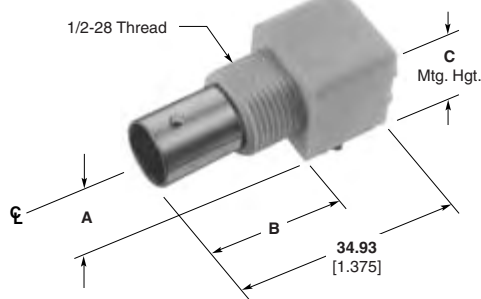
VALOX is a trademark of General Electric Company.

BNC Connectors, 50 Ohm (Continued)

**Right-Angle Jacks
PC Board/Panel Mount**

Body — Nickel
Dielectric — Polymethylpentene

VALOX Body



Metal Body



Mounting Post Style



Compliant Post



Maximum Panel Thickness 6.1 [240]

Recommended Panel Cutout

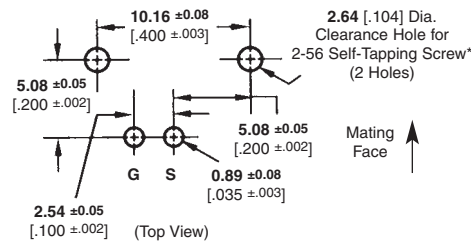
Lockwasher and Jam Nut



Part No.
1-329632-2

Part No.
1-329631-2

Without Mounting Posts



With Mounting Posts



Recommended PC Board Layouts

| Body Material | Center Contact Plating | Dimensions | | | Part No. | | | | |
|--------------------|------------------------|--------------|---------------|---------------|------------------------|---------------------|--------------|----------------------|--------------|
| | | A | B | C | Without Mounting Posts | With Mounting Posts | L | With Compliant Posts | L |
| VALOX, White | Tin | 8.59 .338 | 21.21 .835 | 15.88 .625 | 5226990-1 | 5227161-1 | 3.48 .137 | — | — |
| | Gold1 | 8.59 .338 | 21.21 .835 | 15.88 .625 | 5226990-3 | 5227161-3 | 3.48 .137 | — | — |
| | Gold1 | 6.91 .272 | 21.21 .835 | 13.18 .519 | — | 5227161-7 | 3.48 .137 | — | — |
| VALOX, Black | Tin | 8.59 .338 | 21.21 .835 | 15.88 .625 | — | 5227161-2 | 3.48 .137 | — | — |
| | Gold1 | 8.59 .338 | 21.21 .835 | 15.88 .625 | 5226990-6 | 5227161-6 | 3.48 .137 | — | — |
| | Gold1 | 6.91 .272 | 21.21 .835 | 13.18 .519 | — | 5227161-9 | 3.48 .137 | — | — |
| Metal | Gold1 | 6.17 .243 | 21.21 .835 | 11.68 .460 | — | 5415046-1 | — | — | — |
| | Tin | 8.26 .325 | 20.83 .820 | 15.88 .625 | — | 5227661-1 | 3.48 .137 | — | — |
| | Gold1 | 8.26 .325 | 20.83 .820 | 15.88 .625 | 5227676-1 | 5227677-1 | 3.48 .137 | — | — |
| | Gold1 | 6.91 .272 | 20.83 .820 | 12.70 .500 | 1274668-1 | 5413879-1 | 3.48 .137 | — | — |
| High Temp. Housing | Gold1 | 6.91 .272 | 21.21 .835 | 13.18 .519 | — | — | — | 5415218-5 | 2.79 .110 |

Plating:

Gold1 — 0.00076 [0.00030] thick

Gold2 — 0.00127 [0.00050] thick

Note: If an Insulating Bushing is required see part number 330620 and Panel Cutout on page 54.

VALOX is a trademark of General Electric Company.

Note: Part Numbers are RoHS compliant except: ♦ Indicates non-RoHS compliant.

BNC Connectors, 50 Ohm (Continued)

**Vertical Jacks
PC Board/Panel Mount**

Plating
Body — Nickel
Dielectric — Polymethylpentene



Maximum Panel Thickness 6.1 [.240]

Recommended Panel Cutout

Lockwasher and Jam Nut



Part No.
1-329632-2

Part No.
1-329631-2

VALOX Body



Metal Body



| Body Material | Center Contact Plating | Dim. B | Dim. L | Part No. | |
|---------------|------------------------|---------------|--------------|------------------------|---------------------|
| | | | | Without Mounting Posts | With Mounting Posts |
| VALOX, White | Tin | 21.21 .835 | 3.48 .137 | 5226993-1 | 5227222-1 |
| | Gold | 21.21 .835 | 3.48 .137 | 5226993-3 | 5227222-3 |
| VALOX, Black | Tin | 21.21 .835 | 3.48 .137 | 5226993-2 | 5227222-2 |
| | Gold | 21.21 .835 | 3.48 .137 | 5226993-6 | 5227222-6 |
| Metal | Tin | 20.83 .820 | 3.48 .137 | — | 5227671-1 |
| | Gold | 20.83 .820 | 3.48 .137 | — | 5227673-1 |

Note: If an Insulating Bushing is required see part number 330620 and Panel Cutout on page 54.

Without Mounting Posts



With Mounting Posts



Recommended PC Board Layouts

* Screw for board thickness of 2.38 [.093] or greater **Part No. 221108-2**.
Screw for thickness of less than 2.38 [.093] **Part No. 221108-4**.

VALOX is a trademark of General Electric Company.

Note: Part Numbers are RoHS compliant except: ♦ Indicates non-RoHS compliant.

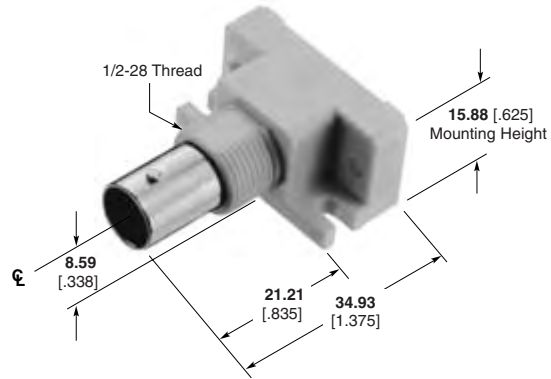
BNC Connectors, 50 Ohm (Continued)

**Jacks with
Mounting Flanges
PC Board/Panel Mount**



Maximum Panel Thickness 6.1 [0.240]

Recommended Panel Cutout



| Body Material | Center Contact Plating | Part No. |
|---------------|------------------------|-----------|
| VALOX, White | Tin | 5226978-1 |
| | Gold | 5226978-3 |

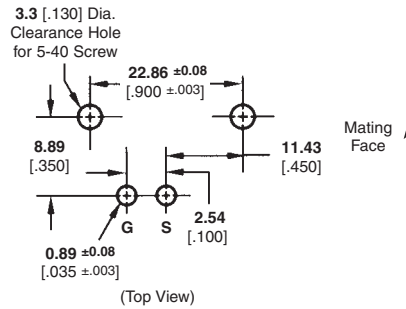
Lockwasher and Jam Nut



Part No.
1-329632-2



Part No.
1-329631-2



Recommended PC Board Layout

VALOX is a trademark of General Electric Company.

Note: Part Numbers are RoHS compliant except: ♦ Indicates non-RoHS compliant.

BNC Connectors, 50 Ohm (Continued)

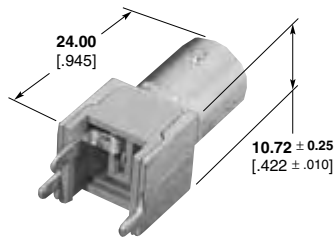
Vertical Metalized Jacks, PC Board Mount



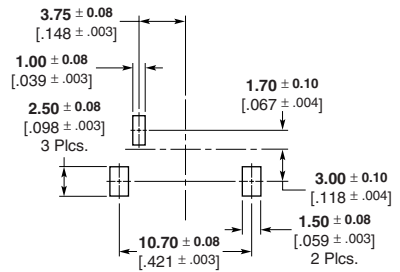
Part No. 1274314-1 (Switching)



Recommended PC Board Layout



Part No. 1274315-1



Recommended PC Board Layout

| Body Plating | Contact Plating | Dielectric | Part No. |
|--------------|-----------------|---------------|------------------|
| Tin | Silver | Polyphenylene | 6274314-1 |
| Tin | Silver | Polyphenylene | 6274315-1 |

Press Fit Vertical Metalized Jack, PC Board Mount



Part No. 5222006-1

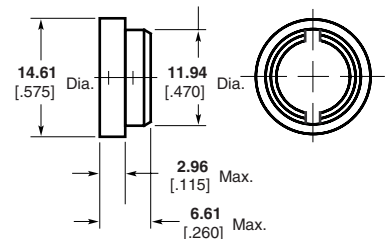


Recommended PC Board Layout
PC Board Thickness Not Less Than 0.99 [0.093]

Insulating Bushing

Material — Polypropylene
Part No. 222163-1

Only to be used on Part Nos. 5222006-1 & 5222462-1



Note: Part Numbers are RoHS compliant except: ♦ Indicates non-RoHS compliant.

BNC Connectors, 50 Ohm (Continued)

**Terminator Plugs
50, 75, 93 Ohm**

Plating

Body—Nickel
Center Contact—Gold
Dielectric—Polyethylene



| Resistor Specification | Part No. | |
|------------------------|--------------------------|----------------|
| | With Tether | Without Tether |
| 1 Watt, 50 Ohm | 5221629-1 | 5221629-4 |
| 1 Watt, 75 Ohm | 5221629-2 | 5221629-5 |
| 1 Watt, 93 Ohm | — | 5221629-6 |
| 0.5 Watt, 75 Ohm | — | — |
| 1 Watt, 50 Ohm | 1-5221629-6 ¹ | — |

¹ Tether is conductive with #4 stud size

Insulated Terminators

Insulation Material
Polyphenylene oxide

Long Cover



| Register Specification | Color | Cover Style | Part No. |
|------------------------|-------|-------------|-----------|
| 1 Watt, 50 Ohm | Gray | Long | 5413557-1 |
| | | Short | 5413364-2 |
| | Black | Long | 5413557-2 |

* The Short Cover is required when mating the Terminator with a Tee Adapter.

Jack Covers

| Body Plating | Part No. |
|--------------|------------|
| Silver | 330022 |
| Nickel | 1-330022-2 |



Shorting Caps

Plating

Body—Nickel
Center Contact—Gold



Part No. 413453-1

Note: Part Numbers are RoHS compliant except: ♦ Indicates non-RoHS compliant.

BNC Connectors, 75 Ohm

Plugs, Crimp

These connectors have been designed for optimum performance and have a true 75 ohm impedance the complete length of the connector. The crimp die tooling listed below is different from the equivalent 50 ohm connectors.



Plugs

| RG/U Cable | Termination Type | Center Contact Plating | Body Plating | Dielectric | Style | Dim. L | Interchangeable Dies for PRO-CRIMPER Hand Tool 354940-1 or PRO-CRIMPER Adapter 679304-1 | Interchangeable Dies for Hand Tool 69710-1 & 626 Pneu. Head 318161-1 | Part No. |
|---|------------------|------------------------|--------------|--------------|------------|-----------------------|---|--|--------------------|
| 179, 179A, 179B, 187, 187A, 161, BELDEN 9221 | Hex Crimp | Gold | Nickel | Polyethelene | Commercial | 29.46 1.160 | 58425-2 | — | 5413589-8 |
| | O Crimp | Gold | Nickel | Polyethelene | Commercial | 35.56 1.140 | 318451-2 | — | 5221185-8 |
| AT&T 735A | Hex Crimp | Gold | Nickel | Polyethelene | Commercial | 29.46 1.160 | 58425-2 | — | 1-5413589-0 |
| | O Crimp | Gold | Nickel | Polyethelene | Commercial | 27.69 1.090 | 58174-1 | 58248-3 | 1-5221185-8 |
| BELDEN 8218 | Hex Crimp | Gold | Nickel | Polyethelene | Commercial | 29.46 1.160 | 58425-2 | — | 5413589-3 |
| | O Crimp | Gold | Nickel | Polyethelene | Commercial | 27.69 1.090 | 58174-1 | 58248-3 | 5221185-3 |
| 140, 210, 62, 62A, 62B, 59, 59A, 59B, BELDEN 9291, 9209, 9269 | Hex Crimp | Gold | Nickel | Polyethelene | Commercial | 29.46 1.160 | 58425-1 | — | 5413589-2 |
| | O Crimp | Gold | Nickel | Polyethelene | Commercial | 27.69 1.090 | 58536-1 | 58248-2 | 5221185-2 |
| 302, BELDEN 89269, 88241, Hi-Temp 62A, Times PL-62, Berk Tek BTDC-59, BTDC-62 | Hex Crimp | Gold | Nickel | Polyethelene | Commercial | 29.46 1.160 | 58425-1 | — | 5413589-1 |
| | O Crimp | Gold | Nickel | Polyethelene | Commercial | 27.69 1.090 | 58536-1 | 58248-2 | 5221185-9 |
| BELDEN 8212, 9104, 9112, 9167, 9240, 9259, 9266, Times FM-59, (RG 59 Type with 20 AWG C.C.) | Hex Crimp | Gold | Nickel | Polyethelene | Commercial | 29.46 1.160 | 58425-1 | — | 5413589-7 |
| | O Crimp | Gold | Nickel | Polyethelene | Commercial | 27.69 1.090 | 58536-1 | — | 1-5221185-0 |
| BELDEN 9145, AT&T 734A | Hex Crimp | Gold | Nickel | Polyethelene | Commercial | 29.46 1.160 | 58425-1 | — | 5413589-7 |
| | O Crimp | Gold | Nickel | Polyethelene | Commercial | 27.69 1.090 | 58536-1 | — | 1-5221185-0 |
| BELDEN 9248, 9114 | O Crimp | Gold | Nickel | Polyethelene | Commercial | 25.65 1.010 | 58536-1 | — | 5221185-1 |
| 6, 6A | O Crimp | Gold | Nickel | Polyethelene | Commercial | 37.85 1.490 | 58538-1 | 58248-1 | 5221185-7 |
| BELDEN 8281, 9141, 9231, Western Electric 724, 728, 3049 | Hex Crimp | Gold | Nickel | Polyethelene | Commercial | 29.46 1.160 | 58425-3 | — | 5413589-5 |
| | O Crimp | Gold | Nickel | Polyethelene | Commercial | 28.45 1.120 | 58538-1 | 58248-1 | 5221185-5 |
| COMM/SCOPE S59 Hec | O Crimp | Gold | Nickel | Polyethelene | Commercial | 28.96 1.140 | 58536-1 | — | 2-5221185-9 |
| COMM/SCOPE F59 Hec-z | O Crimp | Gold | Nickel | Polyethelene | Commercial | 28.96 1.140 | 58536-1 | — | 3-5221185-1 |

AT&T is a trademark of AT&T Corporation.
 BELDEN is a trademark of Belden Wire and Cable Company.
 COMM/SCOPE is a trademark of Commscope, Inc.

Note: Part Numbers are RoHS compliant except: ♦ Indicates non-RoHS compliant.

BNC Connectors, 75 Ohm (Continued)

Plugs for JIS Cables, Crimp

Plating

Body — Nickel
Center Contact — Gold

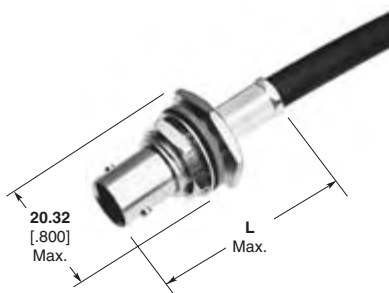


| JIS Cable | Termination Type | Dielectric | Dim. L | Interchangeable Dies for PRO-CRIMPER Hand Tool 354940-1 or PRO-CRIMPER Adapter 679304-1 | Part No. |
|-----------|------------------|-------------------|----------------|---|-------------|
| 3C-2V | Hex Crimp | Polymethylpentene | 29.46 1.160 | 58425-1 | 1-5413589-1 |
| 2.5C-2V | Hex Crimp | Polymethylpentene | 29.46 1.160 | 58425-2 | 1-5413589-6 |

Bulkhead Jacks for JIS Cables, Crimp

Plating

Body — Nickel
Center Contact — Gold
Dielectric — Polymethylpentene



| JIS Cable | Termination Type | Dielectric | Dim. L | Interchangeable Dies for PRO-CRIMPER Hand Tool 354940-1 or PRO-CRIMPER Adapter 679304-1 | Part No. |
|-----------|------------------|------------|----------------|---|------------|
| 1.5C-2V | Hex Crimp | 75Ω | 36.83 1.450 | 58425-2 | 5413590-4* |

*Packaged in 100 pieces per bag.

Note: Part Numbers are RoHS compliant except: ♦ Indicates non-RoHS compliant.

BNC Connectors, 75 Ohm (Continued)

Right-Angle Plugs, Crimp



| RG/U Cable | Termination Type | Center Contact Plating | Body Plating | Dielectric | Style | Dim. L | Interchangeable Dies for PRO-CRIMPER Hand Tool 354940-1 or PRO-CRIMPER Adapter 679304-1 | Interchangeable Dies for Hand Tool 69710-1 & 626 Pneu. Head 318161-1 | Part No. |
|---|------------------|------------------------|--------------|--------------------|------------|-----------------------|---|--|--------------------|
| 179, 179A, 179B, 187, 187A, 161 BELDEN 9221 | Hex Crimp | Gold | Nickel | Polymethyl-pentene | Commercial | 39.45 1.553 | 58425-2 | — | 5413588-8 |
| AT&T 735A | Hex Crimp | Gold | Nickel | Polymethyl-pentene | Commercial | 39.45 1.553 | 58425-2 | — | 1-5413588-0 |
| AT&T KS 19224 L2, RD179 Double Braid | Hex Crimp | Gold | Nickel | Polymethyl-pentene | Commercial | 39.45 1.553 | 58425-2 | — | 5413588-4 |
| 140, 210, 62, 62A, 62B, 59, 59A, 59B, BELDEN 9291, 9209, 9269 | Hex Crimp | Gold | Nickel | Polymethyl-pentene | Commercial | 39.45 1.553 | 58425-1 | — | 5413588-2 |
| | O Crimp | Gold | Nickel | Polymethyl-pentene | Commercial | 39.88 1.570 | 58536-1 | 58248-2 | 5221402-2 |
| BELDEN 8212, 9104, 9112, 9240, 9167, 9259, 9266, Times FM-59, (RG 59 Type with 20 AWG C.C.) | Hex Crimp | Gold | Nickel | Polymethyl-pentene | Commercial | 39.45 1.553 | 58425-1 | — | 5413588-9 |
| BELDEN 9145, AT&T 734A | O Crimp | Gold | Nickel | Polymethyl-pentene | Commercial | 39.88 1.570 | 58536-1 | — | 5221402-4 |

AT&T is a trademark of AT&T Corporation.
BELDEN is a trademark of Belden Wire and Cable Company.

Note: Part Numbers are RoHS compliant except: ♦ Indicates non-RoHS compliant.

BNC Connectors, 75 Ohm (Continued)

Jacks, Crimp

Hex and O Crimp



| RG/U Cable | Termination Type | Center Contact Plating | Body Plating | Dielectric | Style | Dim. L | Interchangeable Dies for PRO-CRIMPER Hand Tool 354940-1 or PRO-CRIMPER Adapter 679304-1 | Interchangeable Dies for Hand Tool 69710-1 & 626 Pneu. Head 318161-1 | Part No. |
|---|------------------|------------------------|--------------|--------------|------------|-----------------------|---|--|------------------|
| 179, 179A, 179B, 161, 187, 187A, BELDEN 9221 | Hex Crimp | Gold | Nickel | Polyethelene | Commercial | 33.02 1.300 | 58425-2 | — | 5413760-8 |
| | O Crimp | Gold | Nickel | Polyethelene | Commercial | 30.48 1.200 | 318451-2 | — | 5221199-5 |
| BELDEN 8218 | Hex Crimp | Gold | Nickel | Polyethelene | Commercial | 33.02 1.300 | 58425-2 | — | 5413760-3 |
| 140, 210, 62, 62A, 62B, 59, 59A, 59B, BELDEN 9291, 9209, 9269 | O Crimp | Gold | Nickel | Polyethelene | Commercial | 30.48 1.200 | 58536-1 | 58248-2 | 5221199-2 |
| 302, BELDEN 88241, 89269, Hi-Temp 62A, Times PL-62, Berk Tek BTDC-59, BTDC-62 | Hex Crimp | Gold | Nickel | Polyethelene | Commercial | 33.02 1.300 | 58425-1 | — | 5413760-1 |
| BELDEN 8212, 9104, 9112, 9240, 9167, 9259, 9266, Times FM-59, (RG 59 Type with 20 AWG C.C.) | Hex Crimp | Gold | Nickel | Polyethelene | Commercial | 33.02 1.300 | 58425-1 | — | 5413760-9 |
| BELDEN 9248, 9114 | O Crimp | Gold | Nickel | Polyethelene | Commercial | 30.48 1.200 | 58536-1 | — | 5221199-1 |

BELDEN is a trademark of Belden Wire and Cable Company.

Note: Part Numbers are RoHS compliant except: ♦ Indicates non-RoHS compliant.

BNC Connectors, 75 Ohm (Continued)
Bulkhead Jacks, Crimp
Hex and O Crimp


Maximum Panel Thickness 6.1 [0.240]

Recommended Panel Cutout

| RG/U Cable | Termination Type | Center Contact Plating | Body Plating | Dielectric | Style | Dim. L | Interchangeable Dies for PRO-CRIMPER Hand Tool 354940-1 or PRO-CRIMPER Adapter 679304-1 | Interchangeable Dies for Hand Tool 69710-1 & 626 Pneu. Head 318161-1 | Part No. |
|--|------------------|------------------------|--------------|--------------|------------|-----------------------|---|--|------------------|
| 179, 179A, 179B, 161, 187, 187A, BELDEN 9221 | Hex Crimp | Gold | Nickel | Polyethelene | Commercial | 36.83 1.450 | 58425-2 | — | 5413590-8 |
| | O Crimp | Gold | Nickel | Polyethelene | Commercial | 34.93 1.375 | 318451-2 | — | 5221221-5 |
| AT&T KS 19224 L2, RD179 Double Braid | Hex Crimp | Gold | Nickel | Polyethelene | Commercial | 36.83 1.450 | 58425-2 | — | 5413590-4 |
| BELDEN 8218 | Hex Crimp | Gold | Nickel | Polyethelene | Commercial | 36.83 1.450 | 58425-2 | — | 5413590-3 |
| 140, 210, 62, 62A, 62B, 59, 59A, 59B, BELDEN 9291, 9209, 9269 | O Crimp | Gold | Nickel | Polyethelene | Commercial | 34.93 1.375 | 58536-1 | 58248-2 | 5221221-2 |
| BELDEN 8212, 9104, 9112, 9240, 9167, 9259, 9266, Times FM-59 (RG 59 Type with 20 AWG C.C.) | O Crimp | Gold | Nickel | Polyethelene | Commercial | 34.93 1.375 | 58536-1 | 58248-2 | 5221221-7 |
| BELDEN 9114, 9248 | O Crimp | Gold | Nickel | Polyethelene | Commercial | 34.93 1.375 | 58536-1 | — | 5221221-1 |

AT&T is a trademark of AT&T Corporation.
 BELDEN is a trademark of Belden Wire and Cable Company.

Note: Part Numbers are RoHS compliant except: ♦ Indicates non-RoHS compliant.

BNC Connectors, 75 Ohm (Continued)

**Bulkhead Solder Jacks
Front Mount**

Plating

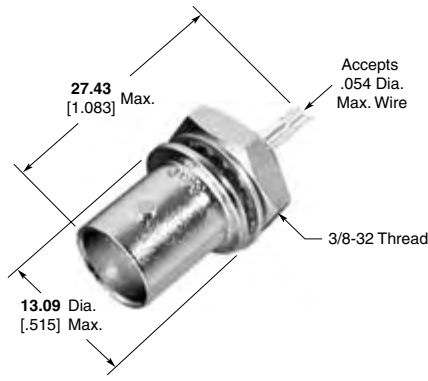
Body — Nickel

Center Contact — Silver



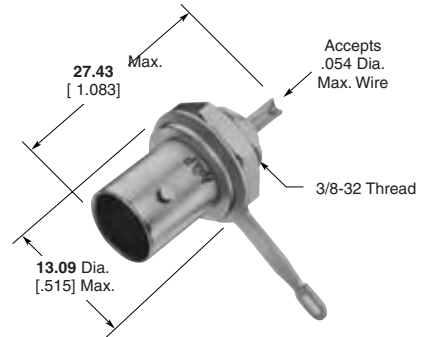
Maximum Panel Thickness **3.18** [.125]

Recommended Panel Cutout



**Part No. 5415187-1
(without Solder Terminal)**

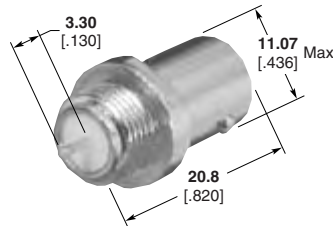
Note: If insulating bushing required use part no. 227223-1 or 221951-1 (for details, reference page 55).



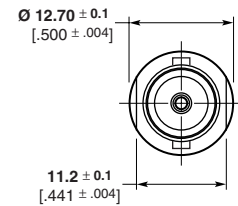
**Part No. 5221244-1
(with Solder Terminal)**

Note: If insulating bushing required use part no. 227223-1 or 221951-1 (for details, reference page 55).

**Bulkhead Jack
PC Board Mount**



Part No. 6274086-1



**Bulkhead Solder Jack
Rear Mount**

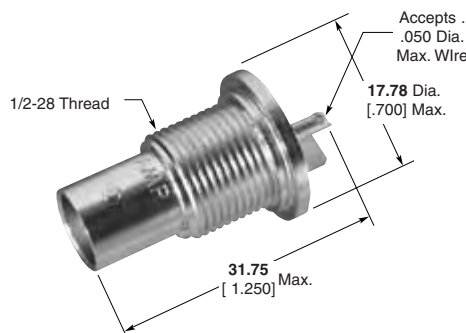
Lockwasher and Jam Nut see page 73.

Plating

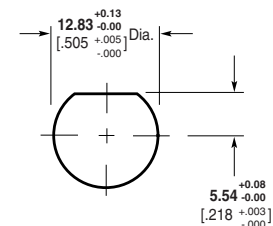
Body — Nickel

Center Contact — Gold

Dielectric — Polymethylpentene



Part No. 5414217-1



Maximum Panel Thickness **6.35** [.250]

Recommended Panel Cutout

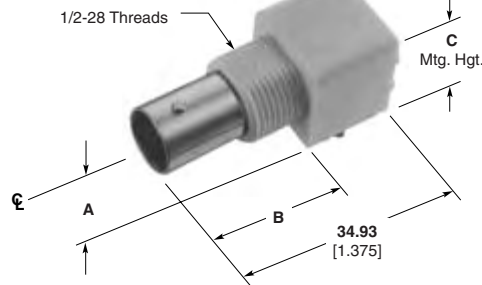
Note: Part Numbers are RoHS compliant except: ♦ Indicates non-RoHS compliant.

BNC Connectors, 75 Ohm (Continued)

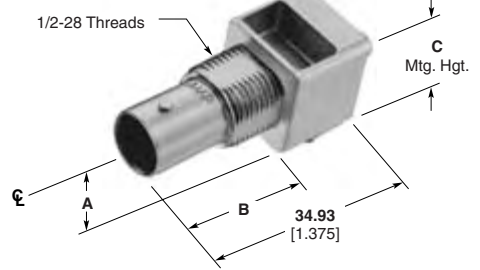
**Right-Angle Jacks
PC Board/Panel Mount**

Outer Shell — Nickel
Dielectric — Polymethylpentene
Lockwasher and Jam Nut see page 73.

VALOX Body



Metal Body



Maximum Panel Thickness 6.1 [240]

Recommended Panel Cutout

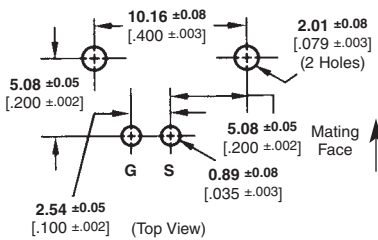


Recommended PC Board Layouts

Without Mounting Posts



With Mounting Posts



* Screw for panel thickness of **2.38** [3/32] or greater
Part No. 221108-2.
Screw for panel thickness of less than **2.38** [3/32]
Part No. 221108-4.

| Body Material | Center Contact Plating | Dimensions | | | | Part No. | |
|--|------------------------|--------------|---------------|---------------|--------------|------------------------|---------------------|
| | | A | B | C | L | Without Mounting Posts | With Mounting Posts |
| VALOX, Black w/ Compliant Posts (Economy)* | Gold3 | 6.17 .243 | 21.21 .835 | 11.68 .460 | 2.79 .110 | — | 5415105-2 |
| VALOX, Black (Economy)* | Gold3 | 6.17 .243 | 21.21 .835 | 11.68 .460 | 4.01 .158 | — | 5415105-1 |
| VALOX, White | Gold1 | 6.91 .272 | 21.21 .835 | 13.88 .519 | 3.48 .137 | — | 5413194-1 |
| VALOX, White (Economy)* | Gold1 | 6.91 .272 | 21.21 .835 | 13.88 .519 | 3.48 .137 | — | 5415634-2 |
| VALOX, Black | Gold1 | 6.91 .272 | 21.21 .835 | 13.88 .519 | 3.48 .137 | — | 5413194-2 |
| VALOX, Black (Economy)* | Gold1 | 6.91 .272 | 21.21 .835 | 13.88 .519 | 3.48 .137 | — | 5415634-1 |
| VALOX, Black (Economy)* | Gold1 | 8.59 .338 | 21.21 .835 | 15.88 .625 | 3.48 .137 | — | 5415633-1 |
| VALOX, White | Gold2 | 8.59 .338 | 21.21 .835 | 15.88 .625 | 3.48 .137 | — | 5414459-1 |
| Metal | Gold1 | 8.25 .325 | 20.83 .820 | 15.88 .625 | 2.16 .085 | — | 5222092-1 |
| Metal | Gold1 | 8.25 .325 | 20.83 .820 | 15.88 .625 | — | 5222093-1 | — |
| Metal (Economy)* | Gold1 | 8.25 .325 | 20.83 .820 | 15.88 .625 | 3.48 .137 | — | 5414409-1 |
| Metal with Compliant Posts (Economy)* | Gold1 | 6.91 .272 | 20.83 .820 | 12.70 .500 | 3.48 .137 | — | 5415417-1 |
| Metal with Compliant Posts (Economy)* | Tin | 8.56 .337 | 21.21 .835 | 15.88 .625 | 3.48 .137 | — | 5415419-1 |
| Metal | Gold1 | 8.25 .325 | 20.83 .820 | 15.88 .625 | 3.48 .137 | — | 5222092-3 |
| Metal | Gold1 | 6.91 .272 | 20.83 .820 | 12.70 .500 | 3.48 .137 | — | 5414907-1 |
| Metal | Gold1 | 6.91 .272 | 20.83 .820 | 12.70 .500 | — | 6274072-1 | — |
| Metal (Economy)* | Gold1 | 6.91 .272 | 20.83 .820 | 12.70 .500 | 3.48 .137 | — | 6274084-1 |

*Economy connector uses 50 Ω part with smaller dielectric and stamped and formed contact, Phosphor Bronze contact material (Compare to regular connector which is 75 Ω, screw machined Beryllium Copper).

Plating:

Gold1 — 0.00076 [0.000030] thick
Gold2 — 0.00127 [0.000050] thick

Note: If an Insulating Bushing is required see part number 330620 and Panel Cutout on page 54.

VALOX is a trademark of General Electric Company.

Note: Part Numbers are RoHS compliant except: ♦ Indicates non-RoHS compliant.

BNC Connectors, 75 Ohm (Continued)

**Vertical Jacks
PC Board/Panel Mount**

Plating

Outer Shell — Nickel

Dielectric — Polymethylpentene

VALOX Body



Metal Body



Maximum Panel Thickness 6.1 [.240]

Recommended Panel Cutout

| Body Material | Contact Plating | Dim. B | Dim. L | Part No. |
|-------------------------|-----------------|---------------|--------------|-----------|
| VALOX, Black (Economy)* | Gold1 | 21.21 .835 | 3.48 .137 | 5415632-1 |
| VALOX, White (Economy)* | Gold1 | 21.21 .835 | 3.48 .137 | 5415632-2 |
| Metal | Gold1 | 20.83 .820 | 3.48 .137 | 5222132-1 |
| Metal (Economy)* | Tin | 21.21 .835 | 3.48 .137 | 5415520-1 |

*Economy connector uses 50 Ω part with smaller dielectric and stamped and formed contact, Phosphor Bronze contact material (Compare to regular connector which is 75 Ω, screw machined Beryllium Copper).

Plating:

Gold1 — 0.00076 [.000030] thick

Note: If an Insulating Bushing is required see part number 330620 and Panel Cutout on page 54.

Lockwasher and Jam Nut



Part No.
1-329632-2



Part No.
1-329631-2

* Screw for panel thickness of 2.38 [3/32] or greater

Part No. 221108-2.

Screw for panel thickness of less than 2.38 [3/32]

Part No. 221108-4.



(Top View)

Recommended PC Board Layout

VALOX is a trademark of General Electric Company.

Note: Part Numbers are RoHS compliant except: ♦ Indicates non-RoHS compliant.

BNC Connectors, 75 Ohm (Continued)

Bulkhead Jack-Push On Plug Adapter



Part No. 1274007-1



Recommended Panel Cutout

Note: Part Numbers are RoHS compliant except: ♦ Indicates non-RoHS compliant.