

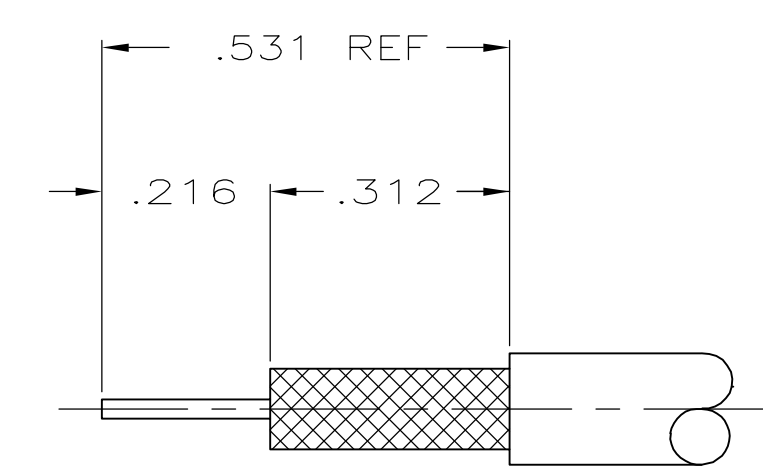
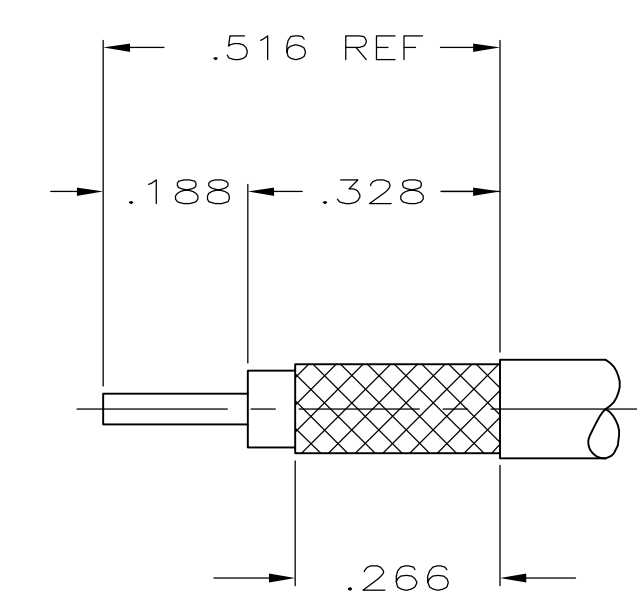
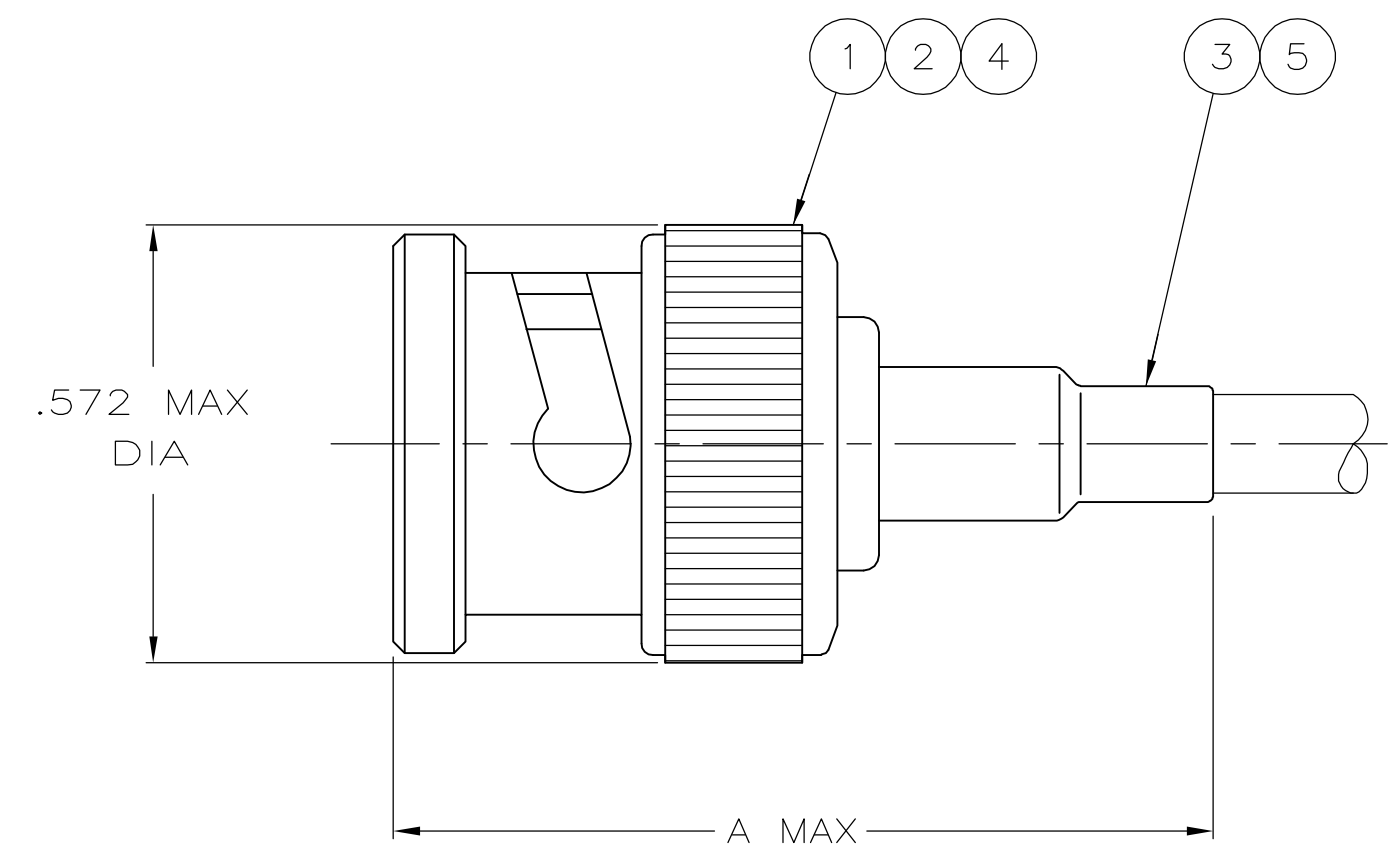
Distributed by:

JAMECO[®]
ELECTRONICS

www.Jameco.com ♦ 1-800-831-4242

The content and copyrights of the attached
material are the property of its owner.

Jameco Part Number 952423



VIEW A

VIEW B

RECOMMENDED STRIP LENGTH

- ① CABLE USED WITHOUT SPACER
- ② CABLE USED WITH SPACER
- 3. SEE INSTRUCTION SHEET 408-2798
- 4. PARTS PACKAGED UNASSEMBLED
- ⑤ USE WITH HAND TOOL FRAME 354940-1
- ⑥ USE WITH HANDTOOL 69710-1, OR PNEUMATIC TOOL 69365 & 69365-3

RG-188 DOUBLE BRAID AND RG-316 DOUBLE BRAID	-	58330-1	69477-4	A	-	227194-1	-	9-329049-0	227322-8	9-413530-3	8-5227079-2
RG-59/U,59A/U AND 59B/U	220217-2	220189-2	220187-2	A	1.090	-	227423-1	9-50428-0	221607-6	9-413530-0	8-5227079-1
RG-62/U,62A/U AND 62B/U	220217-1	220189-1	220187-1	A	1.090	-	-	9-50427-1	221607-5	9-227074-0	8-5227079-0
RG-58/U,58A/U,58B/U,58C/U, AND 141/U	220217-1	220189-1	220187-1	A	1.312	-	-	9-228783-0	221607-5	9-227074-0	7-5227079-5
BELDEN 88240 AND BERK-TEK BTDC-58	220217-2	220189-2	220187-2	B	1.090	-	227423-1	9-50428-0	9-221607-6	9-413530-0	7-5227079-2
RG-62/U,62A/U AND 62B/U	220217-2	220189-2	220187-2	A	1.090	-	-	9-50428-0	9-221607-6	9-413530-0	7-5227079-2
RG-59/U,59A/U AND 59B/U	-	318452-2	-	A	1.312	-	-	9-228783-0	1-221607-6	9-227074-0	6-5227079-8
BELDEN 89907	220217-1	220189-1	220187-1	A	1.090	-	-	9-50427-1	1-221607-6	9-227074-0	6-5227079-7
BELDEN 9290	-	-	220043-1	A	1.490	-	-	9-51713-3	1-221607-6	9-413530-1	6-5227079-5
BELDEN 9907	220217-1	220189-1	220187-1	A	1.090	-	-	9-50427-1	1-221607-6	9-227074-0	6-5227079-4
RG-142/U,142A/U, AND 142B/U	220217-1	220189-1	220187-1	A	1.280	-	-	9-225382-0	1-221607-6	9-227074-0	6-5227079-1
HI TEMP RG-59/U,TIMES PL59 AND PLF59	-	220189-5	-	A	1.312	-	-	9-228784-0	221607-5	9-413530-0	5-5227079-3
BELDEN 88240 AND BERK-TEK BTDC-58	220217-1	318452-2	-	A	1.312	-	-	9-228783-0	221607-5	9-227074-0	4-5227079-3
RG-179/U & 187/U	220217-3	220210-1	220009-5	A	1.090	227194-1	-	9-328666-0	227322-4	9-227074-1	2-5227079-2
RG-179/U & 187/U	220217-3	220210-1	220009-5	A	1.090	227194-1	-	9-328666-0	9-227322-1	9-413530-3	2-5227079-0
BELDEN 8218,AMPHENOL 21-597 & BELDEN NH SPECIAL	-	58330-1	69477-4	A	1.090	-	-	9-329461-0	2-221607-2	9-413530-2	1-5227079-9
RG-174/U & 188/U	220217-3	220210-1	220009-5	A	1.090	227194-1	-	9-50427-1	227322-8	9-227074-1	1-5227079-6
① RG-59/U,59A/U & 59B/U	220217-2	220189-2	220187-2	A	1.090	-	227423-1	9-50428-0	9-221607-6	9-413530-0	1-5227079-1
② RG-62/U,62A/U & 62B/U	220217-1	220189-1	220187-1	B	1.090	-	-	9-50427-1	9-221607-5	9-227074-0	5227079-9
RG-58/U,58A/U,58B/U,58C/U & 141/U	220217-1	220189-1	220187-1	A	1.090	-	-	9-50427-1	9-221607-5	9-227074-0	5227079-9
① RG-59/U,59A/U & 59B/U	220217-2	220189-2	220187-2	A	1.090	-	227423-1	9-50428-0	221607-6	9-227074-2	5227079-7
② RG-62/U,62A/U & 62B/U	220217-1	220189-1	220187-1	B	1.090	-	-	9-50427-1	221607-5	9-227074-0	5227079-6
RG-55/U,55A/U,55B/U, & 223/U	220217-1	220189-1	220187-1	A	1.280	-	-	9-225382-0	221607-5	9-227074-0	5227079-6
RG-58/U,58A/U,58B/U,58C/U & 141/U	220217-1	220189-1	220187-1	A	1.090	-	-	9-50427-1	221607-5	9-227074-0	5227079-5
CABLE SIZE	DIE SET ⑥	DIE SET ⑤	CRIMP TOOL	VIEW	A	⑤ TUBING QTY=1	④ SPACER QTY=1	③ FERRULE QTY=1	② CONTACT QTY=1	① PLUG ASSY QTY=1	PART NUMBER

THIS DRAWING IS A CONTROLLED DOCUMENT.

DIMENSIONS: INCHES	TOLERANCES UNLESS OTHERWISE SPECIFIED:	0 PLC ± .010	1 PLC ± .008	2 PLC ± .006	3 PLC ± .005	4 PLC ± .004	ANGLES ± .5°	FINISH
--------------------	--	--------------	--------------	--------------	--------------	--------------	--------------	--------

APVD	J. HAVENER	29MAR2005	NAME	J. LIPPERT	29MAR2005
CHK	J. HAVENER	29MAR2005	SIZE	A1	00779
DIN	J. HAVENER	29MAR2005	SCALE	4:1	SHEET 1 OF 1
REV	J. HAVENER	29MAR2005	RESTRICTED TO		

Customer Drawing