

5227161-9 Product Details

[Share](#) [Print](#) [Email](#)




5227161-9

TE Internal Number: 5227161-9

 Active

[View 3D PDF](#)

BNC RF Connectors

 Always EU RoHS/ELV Compliant
(Statement of Compliance)

Product Highlights:

- Connector - RF
- Jack
- Connector Style = Jack
- Applies To Printed Circuit Board
- PCB Mounting Orientation = Right Angle

[View all Features](#)

Quick Links

- ▶ [Pricing & Availability](#)
- ▶ [Search for Tooling](#)
- ▶ [Product Feature Selector](#)
- ▶ [Contact Us About This Product](#)

[Add to My Part List](#)

[Request Sample](#)

[Find Similar Products](#)

[Buy Product](#)

Documentation & Additional Information

Product Drawings:

- [JACK, RIGHT ANGLE, 50 OHM, PCB, BNC \(PDF, English\)](#)

Catalog Pages/Data Sheets:

- [BNC Connectors \(PDF, English\)](#)

Product Specifications:

- None Available

Application Specifications:

- None Available

Instruction Sheets:

- None Available

CAD Files: [\(CAD Format & Compression Information\)](#)

- [2D Drawing \(DXF, Version A\)](#)
- [3D Model \(IGES, Version A\)](#)
- [3D Model \(STEP, Version A\)](#)

[List all Documents](#)

Related Products:

- [Tooling](#)

Product Features (Please use the Product Drawing for all design activity)

Product Type Features:

- [Product Type](#) = Connector - RF
- [Gender](#) = Jack
- [PCB Mounting Orientation](#) = Right Angle
- [Grade](#) = Commercial
- [PCB Mount Retention](#) = With
- [PCB Mount Retention Type](#) = Hold Down Post(s)
- [Mounting Post Style](#) = Standard
- [Sealed](#) = No
- [Isolated](#) = No
- [Dielectric Material](#) = Polymethylpentene
- [Color](#) = Black

Mechanical Attachment:

- [Surface Mountable](#) = No
- [Hardware Included](#) = No
- [Panel Mount Retention](#) = With
- [Panel Mount Retention Type](#) = Lockwasher and Nut

Body Features:

- [Body Material](#) = VALOX
- [Body Insulation](#) = Without
- [Polarized](#) = No

Contact Features:

- [Center Contact Material](#) = Phosphor Bronze
- [Center Contact Plating](#) = Gold (30)

Housing Features:

- [Connector Style](#) = Jack

Configuration Features:

- [Number of Ports](#) = 1
- [Solder Terminal](#) = Without

Industry Standards:

- [Government/Industry Qualification](#) = No
- [RoHS/ELV Compliance](#) = RoHS compliant, ELV

- Panel Attachment Style = Rear Mount

Electrical Characteristics:

- Connector Impedance (Ω) = 50

Dimensions:

- PCB Height (mm [in]) = 13.18 [0.519]
- Mounting Post Length (mm [in]) = 3.48 [0.137]

compliant

- Lead Free Solder Processes = Wave solder capable to 260°C, Wave solder capable to 240°C, Wave solder capable to 265°C
- RoHS/ELV Compliance History = Always was RoHS compliant

Conditions for Usage:

- Applies To = Printed Circuit Board

Other:

- Brand = AMP
- Comment = If an Insulating Bushing is required, see Part Number 330620.

Corporate Information

- [About TE](#)
- [Investors](#)
- [News Room](#)
- [Supplier Portal](#)
- [Careers](#)
- [Terms & Conditions](#)
- [Privacy Policy](#)

Quick Links

- [Distributor Inventory](#)
- [Product Cross Reference](#)
- [Documents & Drawings](#)
- [Product Compliance Support Center](#)
- [Site Map](#)

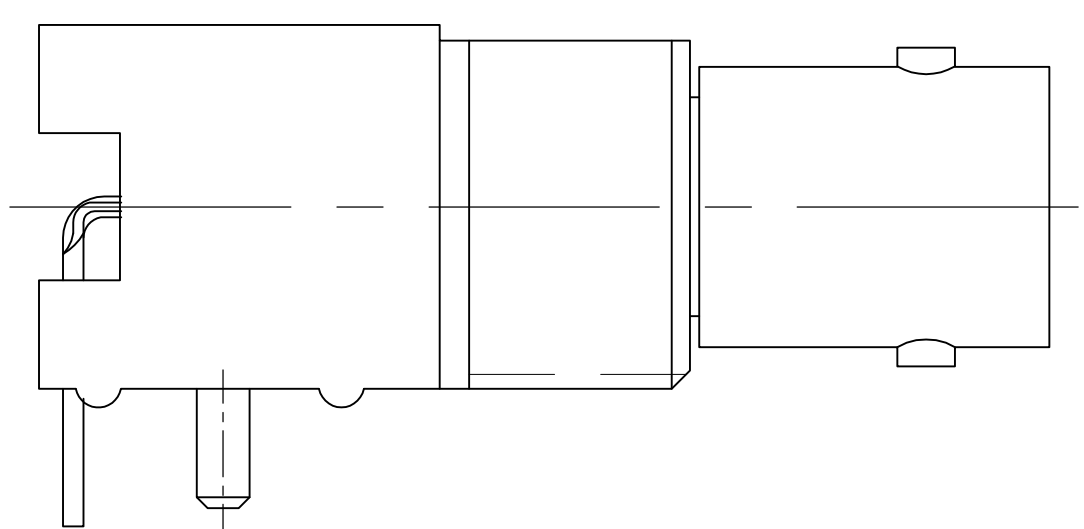
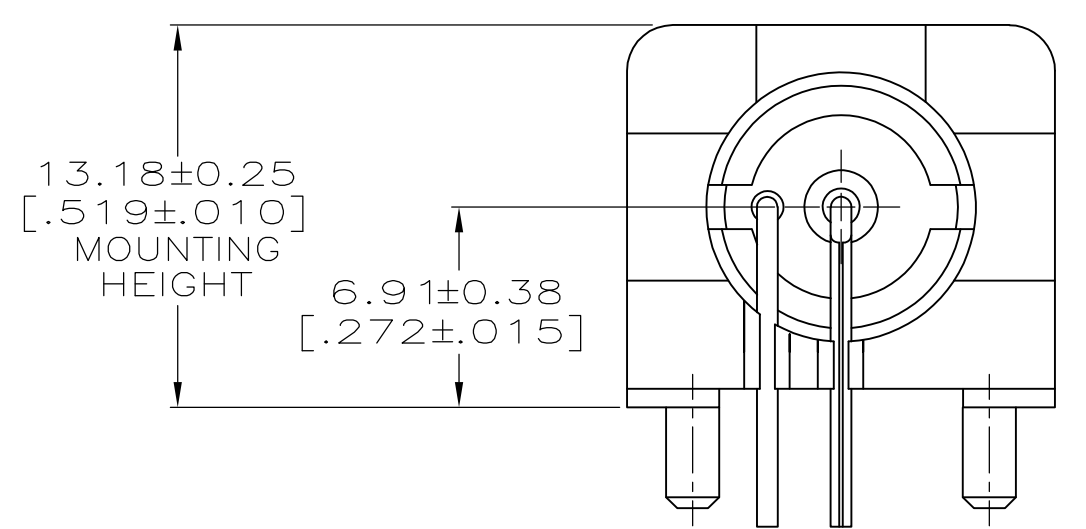
Customer Support

- [Email or Chat With Us](#)
- [Find a Phone Number](#)
- [Knowledge Base](#)
- [Manage Your Account](#)

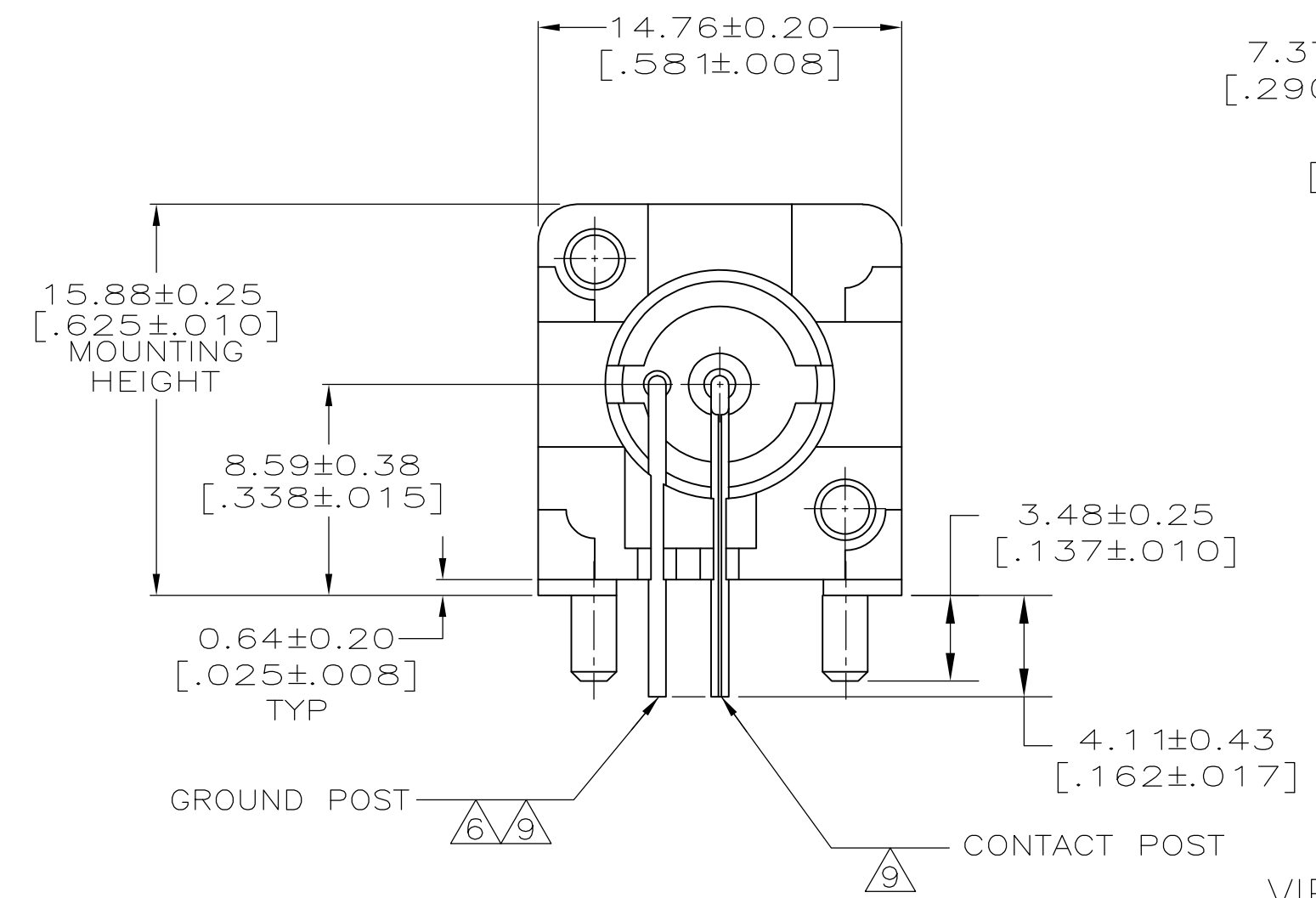
Keep Me Informed



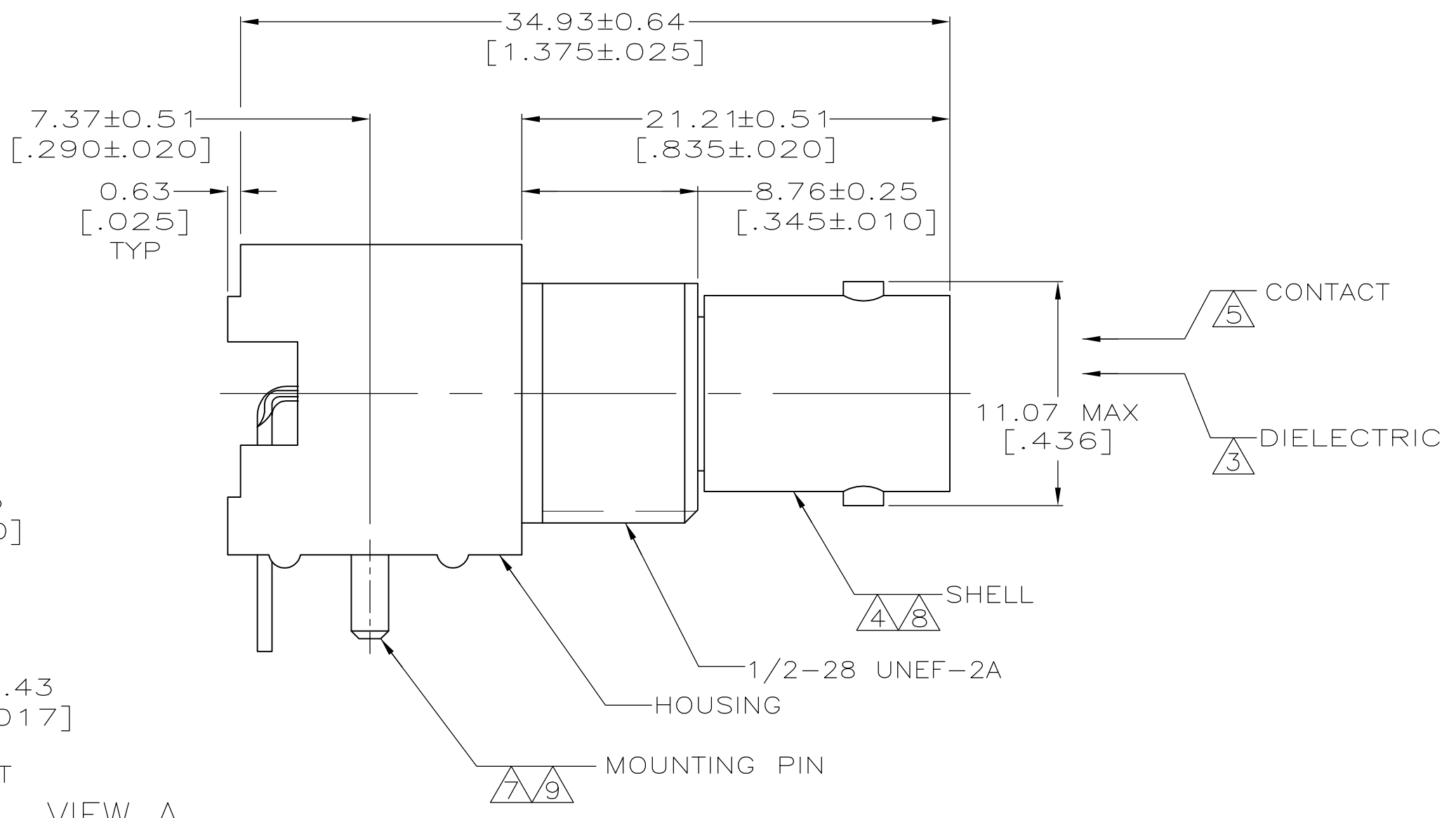
LOC	DIST	REVISIONS			
P	LR	DESCRIPTION	DATE	OWN	APPD
AJ	16	B1	REVISED PER ECO-11-005030	11MAR11	RK HMR



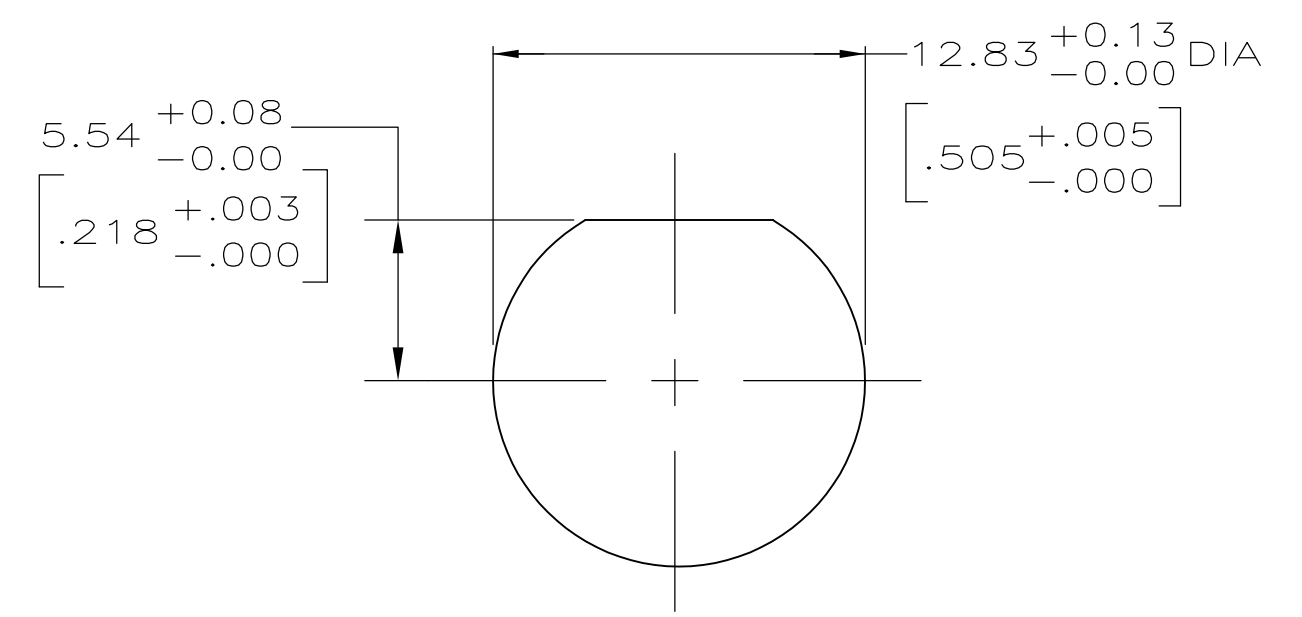
VIEW C
(SAME AS VIEW A EXCEPT AS SHOWN)



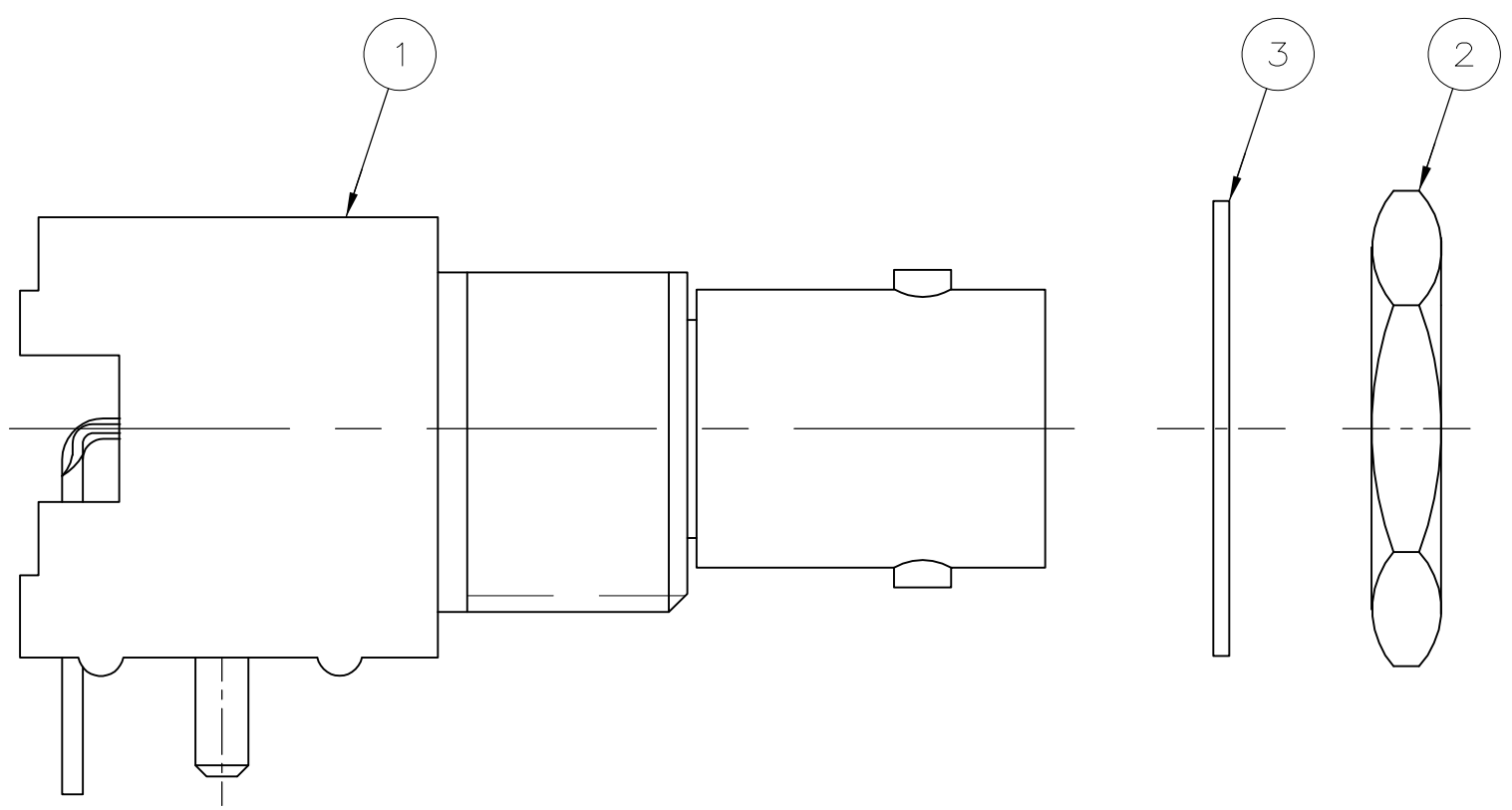
VIEW A



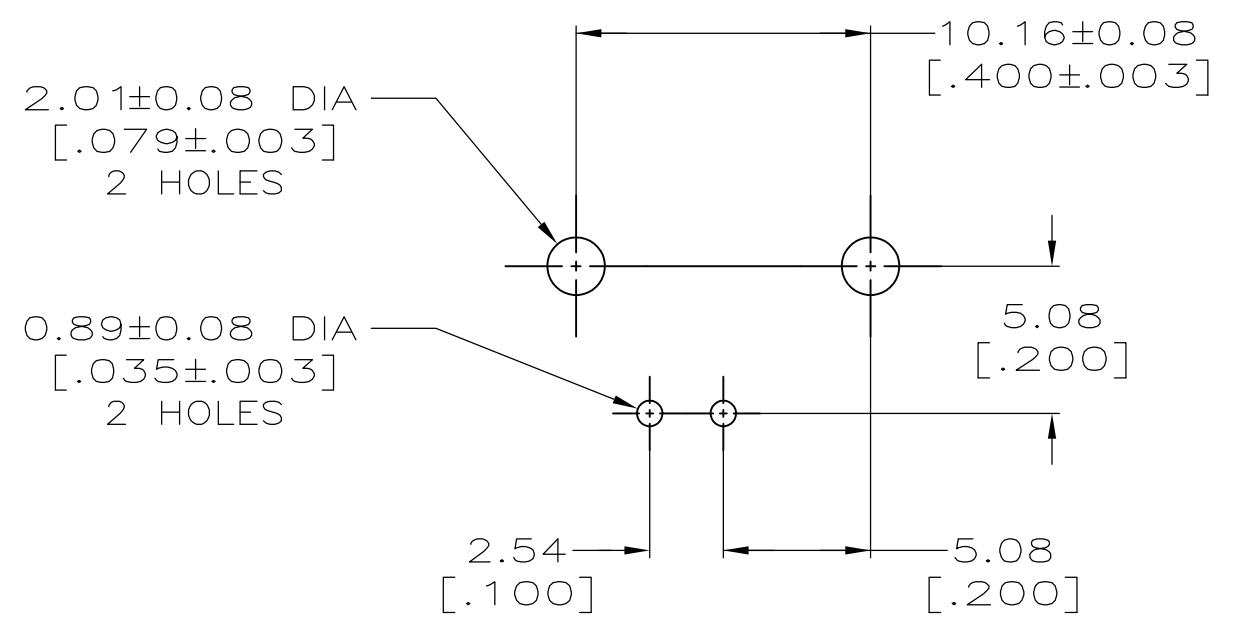
- 1 POLYESTER PBT PER MIL-M-24519, TYPE GPT-15F, UL94V-O RATED, COLOR:WHITE
- 2 POLYESTER PBT PER MIL-M-24519, TYPE GPT-15F, UL94V-O RATED, COLOR:BLACK
- 3 POLYMETHYLPENTENE, GENERAL PURPOSE.
- 4 ZINC PER QQ-Z-363.
- 5 PHOSPHOR BRONZE PER QQ-B-750.
- 6 BRASS PER ASTM-B-453.
- 7 BRASS PER ASTM-B-16.
- 8 NICKEL PLATE PER QQ-N-290, 3.81 μm [.000150] MINIMUM THICK.
- 9 TIN PLATE PER ASTM-B-545, 3.81 μm [.000150] MINIMUM THICK.
- 10 GOLD PLATE PER MIL-G-45204, 0.76 μm [.000030] MINIMUM THICK.
- 11 GOLD PLATE PER MIL-G-45204, 1.27 μm [.000050] MINIMUM THICK.
- 12. SEE INSTRUCTION SHEET 408-2769.



RECOMMENDED PANEL CUTOUT



VIEW B



PCB CONFIGURATION

CONTACT FINISH	HOUSING MATERIAL	VIEW	LOCKWASHER	JAM NUT QTY=1	ASSEMBLY QTY=1	PART NUMBER
-	-	B	1-329632-2	1-329631-2	5227161-9	1-5227161-7
-	-	B	1-329632-2	1-329631-2	5227161-6	1-5227161-6
1	1	C	-	-	-	1-5227161-5
10	1	C	-	-	-	5227161-9
10	1	C	-	-	-	5227161-7
10	1	A	-	-	-	5227161-6
10	1	A	-	-	-	5227161-3
9	1	A	-	-	-	5227161-2
9	1	A	-	-	-	5227161-1

THIS DRAWING IS A CONTROLLED DOCUMENT.

DIMENSIONS: MM(INCHES)	TOLERANCES UNLESS OTHERWISE SPECIFIED:	0 PLC ± -	1 PLC ± -	2 PLC ± 0.05 [0.002]	3 PLC ± -	4 PLC ± -	ANGLES ± -	FINISH

DWN: L. VARELA - DOCK5
 CHK: J. HAVENER
 APVD: S. BURKHOLDER
 PRODUCT SPEC: 108-12078
 APPLICATION SPEC: -
 MATERIAL: -
 WEIGHT: -
 SCALE: 4:1
 SHEET: 1 OF 1
 REV: B1

STE TE Connectivity
 JACK, RIGHT ANGLE, 50 OHM, PCB, BNC
 SIZE: A1
 CAGE CODE: 00779
 DRAWING NO: 5227161