

5227222-6 Product Details

[Share](#) [Print](#) [Email](#)




5227222-6

TE Internal Number: 5227222-6

 Active

[View 3D PDF](#)

BNC RF Connectors

 Always EU RoHS/ELV Compliant
(Statement of Compliance)

Product Highlights:

- Connector - RF
- Jack
- Connector Style = Jack
- Applies To Printed Circuit Board
- PCB Mounting Orientation = Vertical

[View all Features](#)

Quick Links

- ▶ [Pricing & Availability](#)
- ▶ [Search for Tooling](#)
- ▶ [Product Feature Selector](#)
- ▶ [Contact Us About This Product](#)

[Add to My Part List](#)

[Request Sample](#)

[Find Similar Products](#)

[Buy Product](#)

Documentation & Additional Information

Product Drawings:

- [JACK, VERTICAL, 50 OHM, PCB, SERIES BNC](#) (PDF, English)

Catalog Pages/Data Sheets:

- [BNC Connectors](#) (PDF, English)

Product Specifications:

- None Available

Application Specifications:

- None Available

Instruction Sheets:

- None Available

CAD Files: (CAD Format & Compression Information)

- [2D Drawing](#) (DXF, Version B)
- [3D Model](#) (IGES, Version B)
- [3D Model](#) (STEP, Version B)

[List all Documents](#)

Related Products:

- [Tooling](#)

Product Features (Please use the Product Drawing for all design activity)

Product Type Features:

- [Product Type](#) = Connector - RF
- [Gender](#) = Jack
- [PCB Mounting Orientation](#) = Vertical
- [Grade](#) = Commercial
- [PCB Mount Retention](#) = With
- [PCB Mount Retention Type](#) = Hold Down Post(s)
- [Mounting Post Style](#) = Standard
- [Sealed](#) = No
- [Isolated](#) = No
- [Dielectric Material](#) = Polymethylpentene
- [Color](#) = Black

Mechanical Attachment:

- [Surface Mountable](#) = No
- [Hardware Included](#) = No
- [Panel Mount Retention](#) = With
- [Panel Mount Retention Type](#) = Lockwasher and Nut

Body Features:

- [Body Material](#) = VALOX
- [Body Insulation](#) = Without
- [Polarized](#) = No

Contact Features:

- [Center Contact Material](#) = Phosphor Bronze
- [Center Contact Plating](#) = Gold

Housing Features:

- [Connector Style](#) = Jack

Configuration Features:

- [Number of Ports](#) = 1
- [Solder Terminal](#) = Without

Industry Standards:

- [Government/Industry Qualification](#) = No
- [RoHS/ELV Compliance](#) = RoHS compliant, ELV

- Panel Attachment Style = Rear Mount

Electrical Characteristics:

- Connector Impedance (Ω) = 50

Dimensions:

- PCB Height (mm [in]) = 34.93 [1.375]
- Mounting Post Length (mm [in]) = 3.48 [0.137]

compliant

- Lead Free Solder Processes = Wave solder capable to 240°C, Wave solder capable to 260°C, Wave solder capable to 265°C
- RoHS/ELV Compliance History = Always was RoHS compliant

Conditions for Usage:

- Applies To = Printed Circuit Board

Other:

- Brand = AMP
- Comment = If an Insulating Bushing is required, see Part Number 330620.; Lockwasher and Jam Nut must be ordered separately.

Corporate Information

- [About TE](#)
- [Investors](#)
- [News Room](#)
- [Supplier Portal](#)
- [Careers](#)
- [Terms & Conditions](#)
- [Privacy Policy](#)

Quick Links

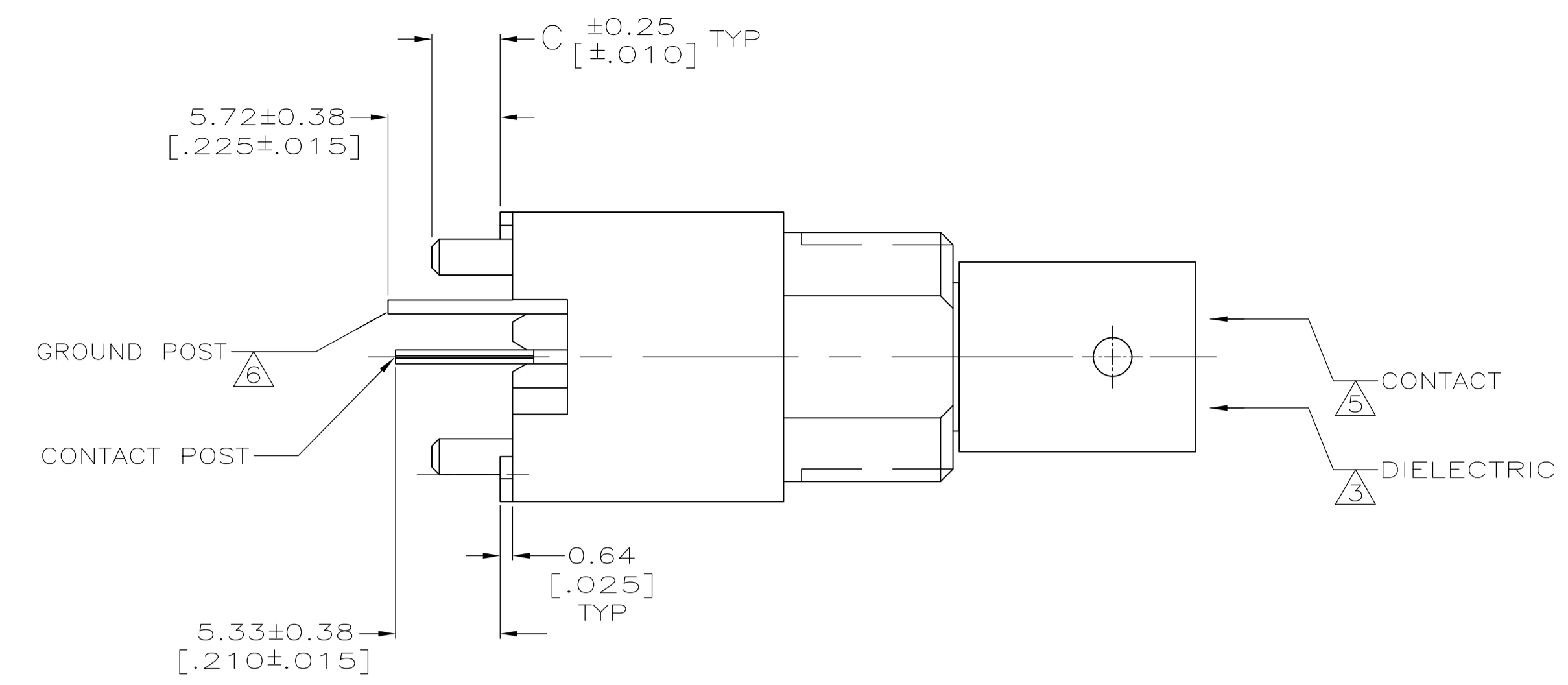
- [Distributor Inventory](#)
- [Product Cross Reference](#)
- [Documents & Drawings](#)
- [Product Compliance Support Center](#)
- [Site Map](#)

Customer Support

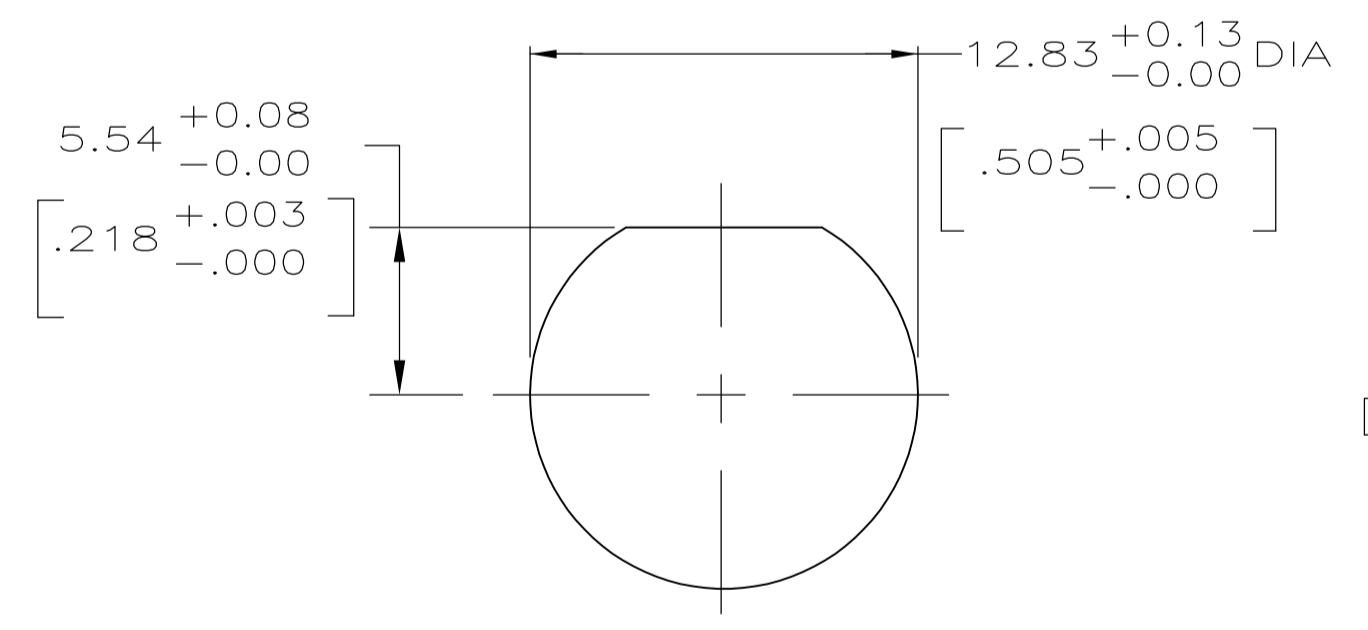
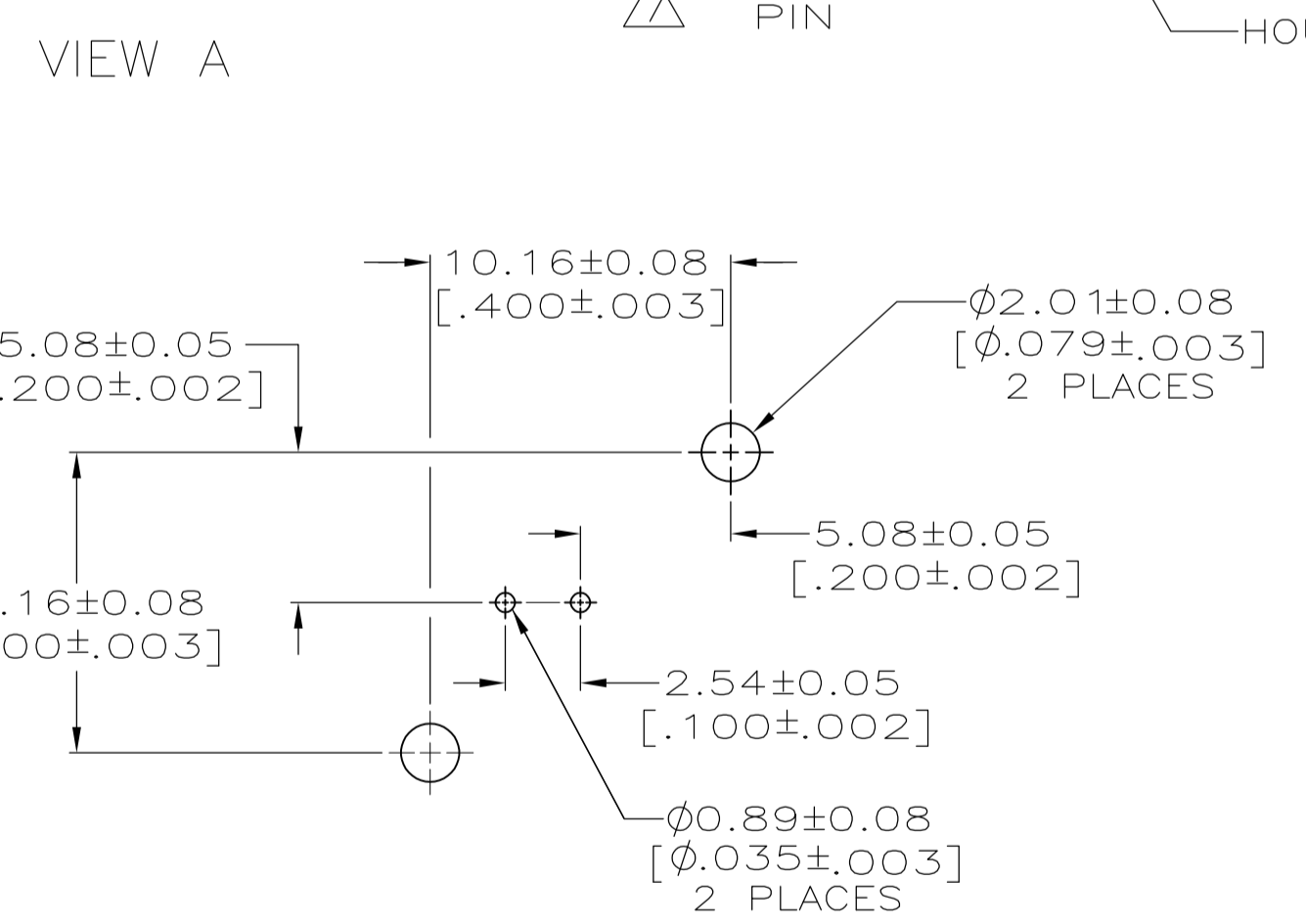
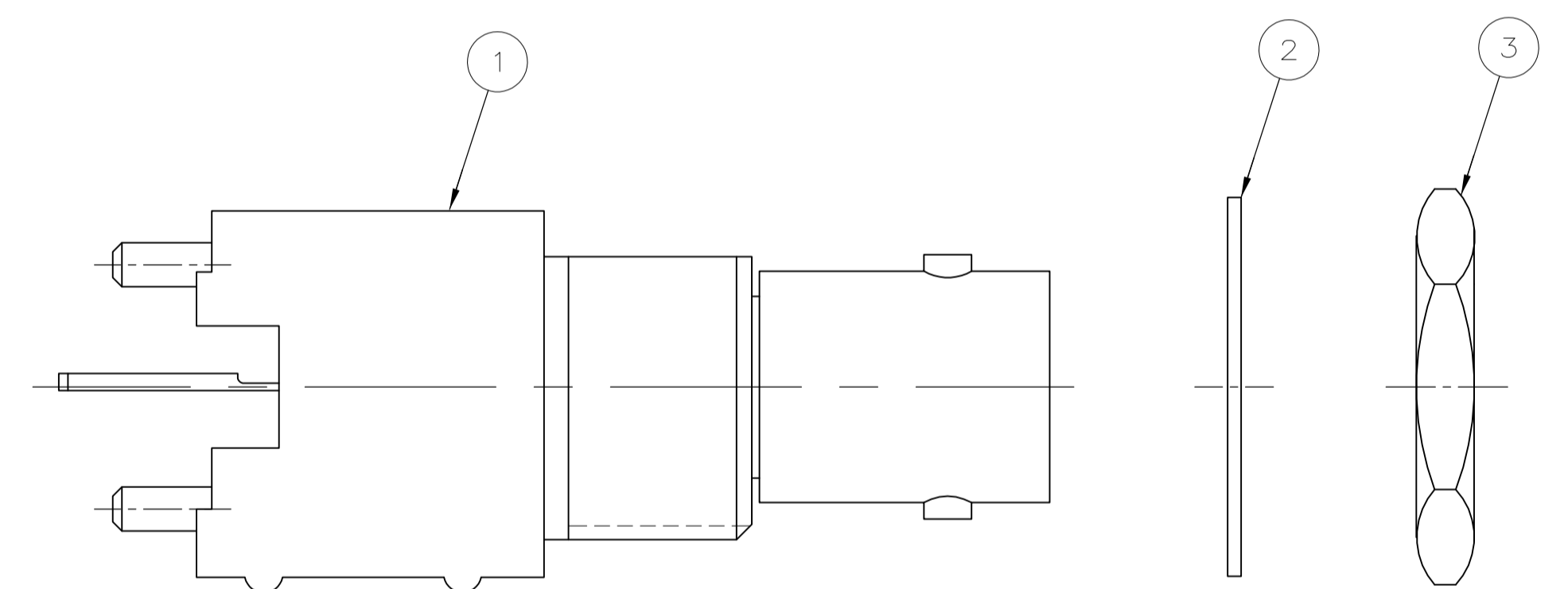
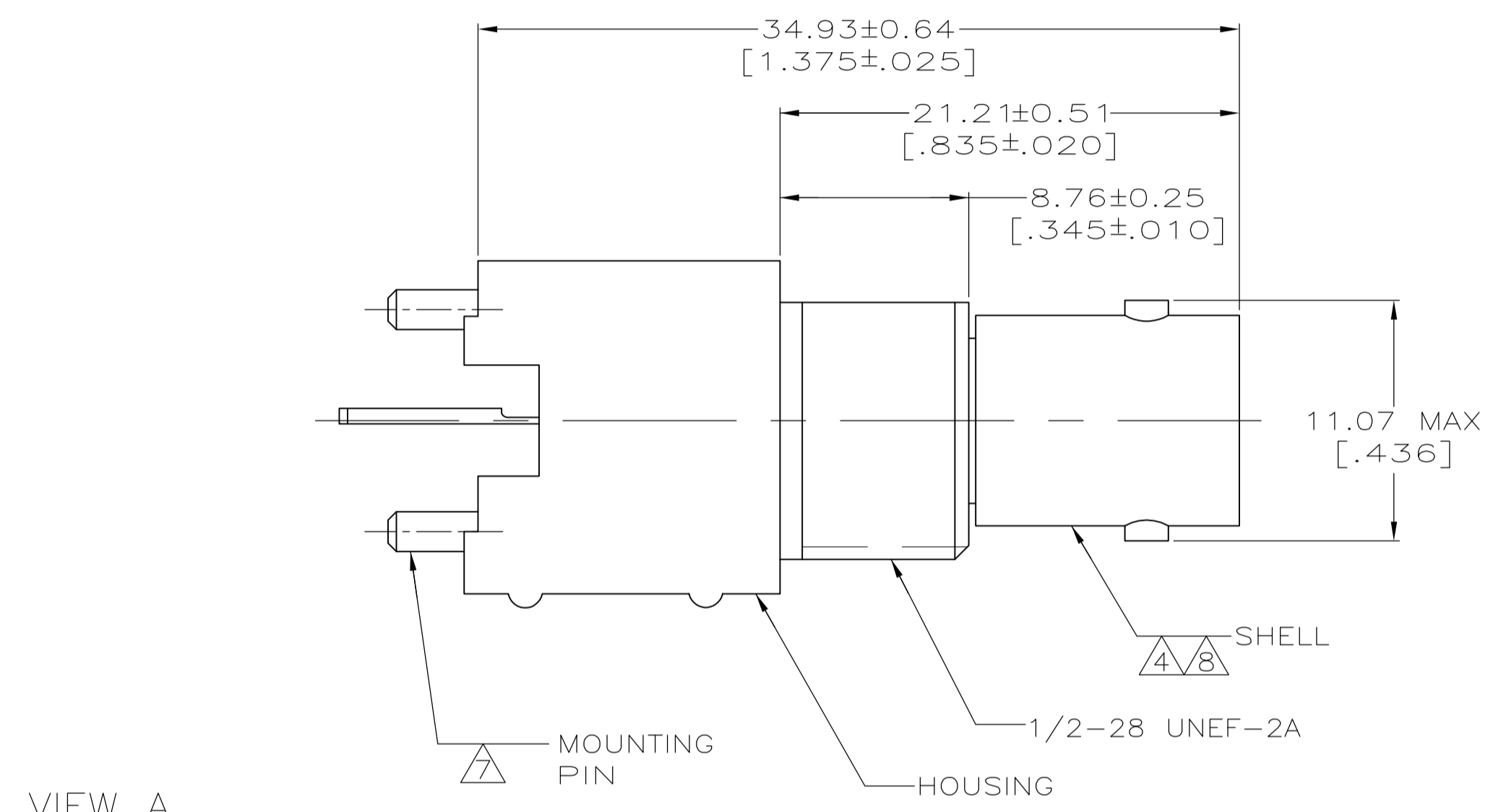
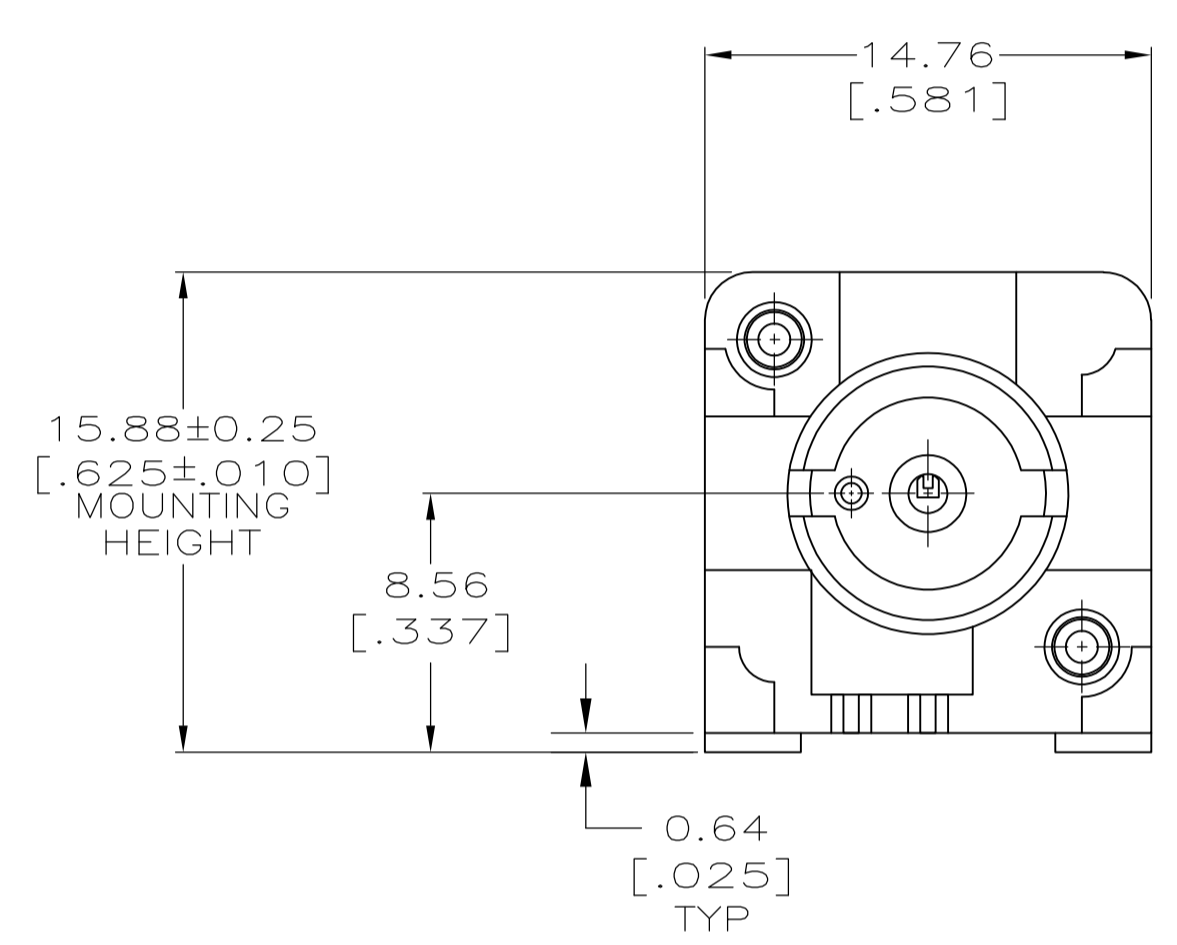
- [Email or Chat With Us](#)
- [Find a Phone Number](#)
- [Knowledge Base](#)
- [Manage Your Account](#)

Keep Me Informed





- 1 POLYESTER PBT PER MIL-M-24519, TYPE GPT-15F, UL94V-O RATED, COLOR: NATURAL
- 2 POLYESTER PBT PER MIL-M-24519, TYPE GPT-15F, UL94V-O RATED, COLOR: BLACK
- 3 POLYMETHYLPENTENE, GENERAL PURPOSE.
- 4 ZINC PER QQ-Z-363.
- 5 PHOSPHOR BRONZE PER QQ-B-750.
- 6 BRASS PER ASTM-B-453.
- 7 BRASS PER ASTM-B-16.
- 8 NICKEL PLATE PER QQ-N-290, 3.81 μ m [.000150] MINIMUM THICK.
- 9 TIN PLATE PER ASTM-B-545, 3.81 μ m [.000150] MINIMUM THICK.
- 10 GOLD PLATE PER MIL-C-45204, 0.76 μ m [.000030] MINIMUM THICK.
- 11. SEE INSTRUCTION SHEET 408-2769.



RECOMMENDED PANEL CUTOUT

PCB CONFIGURATION

VIEW B

-	6	5	4	3	2	1							
3.48 [.137]	6	6	6	6	6	6	B	1-329631-2	1-329632-2	5227222-6	5227222-9		
3.48 [.137]	6	6	6	6	6	6	A	-	-	-	5227222-6		
3.48 [.137]	6	6	6	6	6	6	A	-	-	-	5227222-3		
3.48 [.137]	6	6	6	6	6	6	A	-	-	-	5227222-2		
3.48 [.137]	6	6	6	6	6	6	A	-	-	-	5227222-1		
C	MOUNTING PIN PLATING	GROUND POST PLATING	CONTACT POST PLATING	CONTACT PLATING	HOUSING MATERIAL	VIEW	3	JAM NUT QTY=1	2	LOCKWASHER QTY=1	1	ASSEMBLY QTY=1	PART NUMBER

THIS DRAWING IS A CONTROLLED DOCUMENT.

DIMENSIONS: mm (INCHES)	TOLERANCES UNLESS OTHERWISE SPECIFIED:	DIN J. ALCORTA - 26APR2005	DOCK 5 - 26APR2005	 TE Connectivity
0 PLC ± -	1 PLC ± -	J. HAVENER	DOCK 5 - 26APR2005	
1 PLC ± -	2 PLC ± 0.20 [.008]	J. LIPPERT	26APR2005	NAME
2 PLC ± -	3 PLC ± -			JACK, VERTICAL,
3 PLC ± -	4 PLC ± -			50 OHM, PCB, SERIES BNC
4 PLC ± -	ANGLES ± -			PRODUCT SPEC
MATERIAL	FINISH			108-12078
				APPLICATION SPEC
				SIZE
				CAGE CODE
				DRAWING NO
				RESTRICTED TO
				WEIGHT
				A1 00779
				SCALE
				4:1
				SHEET
				1 OF 1
				REV
				B1