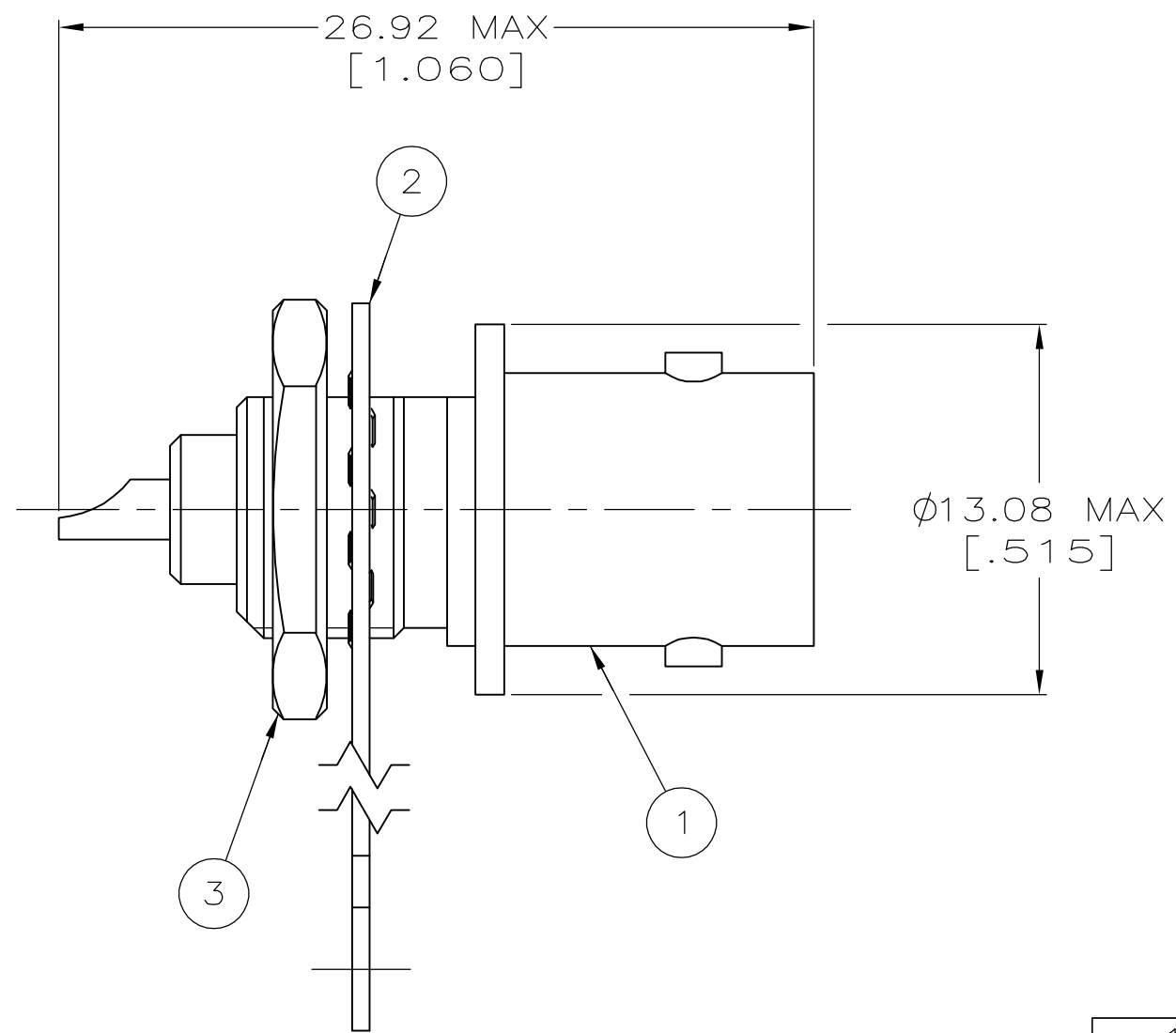
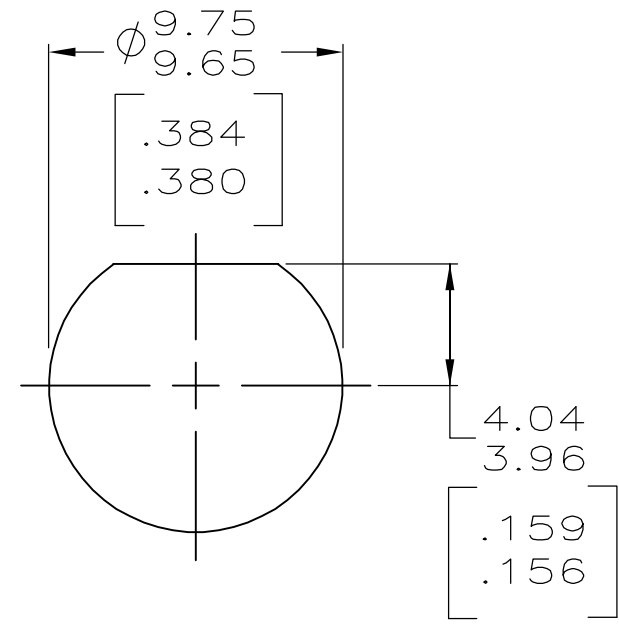


THIS DRAWING IS UNPUBLISHED. RELEASED FOR PUBLICATION
 © COPYRIGHT BY TYCO ELECTRONICS CORPORATION. ALL RIGHTS RESERVED.

LOC	DIST	REVISIONS			
P	LTR	DESCRIPTION	DATE	DWN	APVD
AJ	16	A	REVISED PER EC OS14-0150-05	30AUG05	BM JL



1. 3.175 [.125] MAX PANEL THICKNESS.



RECOMMENDED PANEL CUTOUT

1-330249-1	9-227260-0	227756-3	5227755-3
1-330249-1	9-227260-0	227756-2	5227755-2
1-330249-1	9-227260-0	227756-1	5227755-1
3 JAM NUT QTY=1	2 LOCKWASHER, TERMINAL QTY=1	1 JACK ASSY QTY=1	PART NUMBER

THIS DRAWING IS A CONTROLLED DOCUMENT.		DWN L. VARELA - DOCK5 21APR2005	Tyco Electronics Corporation Harrisburg, Pa 17105-3608	
DIMENSIONS: mm [INCHES]		CHK J. HAVENER 21APR2005	APVD J. LIPPERT 21APR2005	
TOLERANCES UNLESS OTHERWISE SPECIFIED:		NAME SOLDER JACK, 50 OHM, SERIES BNC		
0 PLC ± -		PRODUCT SPEC 108-12079		
1 PLC ± -		APPLICATION SPEC		
2 PLC ± -		SIZE A3		
3 PLC ± -		CAGE CODE 00779		
4 PLC ± -		DRAWING NO G-5227755		
ANGLES ± -		RESTRICTED TO		
FINISH		WEIGHT		
-		-		
		CUSTOMER DRAWING		
		SCALE 4:1		
		SHEET 1 OF 1		
		REV A		