

## 5228979-7 Product Details

[Share](#) [Print](#) [Email](#)



**5228979-7**

TE Internal Number: 5228979-7

Active

[View 3D PDF](#)

### BNC RF Connectors

Always EU RoHS/ELV Compliant (Statement of Compliance)

#### Product Highlights:

- Connector - RF
- Jack
- Connector Style = Jack
- Applies To Coaxial Cable
- Coaxial Cable Termination Type = Crimp

[View all Features](#)

### Quick Links

- ▶ [Pricing & Availability](#)
- ▶ [Search for Tooling](#)
- ▶ [Product Feature Selector](#)
- ▶ [Contact Us About This Product](#)

[Add to My Part List](#) [Request Sample](#) [Find Similar Products](#) [Buy Product](#)

### Documentation & Additional Information

#### Product Drawings:

- [JACK, COMMERCIAL, BNC](#) (PDF, English)

#### Catalog Pages/Data Sheets:

- [BNC Connectors](#) (PDF, English)

#### Product Specifications:

- None Available

#### Application Specifications:

- None Available

#### Instruction Sheets:

- None Available

#### CAD Files: [\(CAD Format & Compression Information\)](#)

- [2D Drawing](#) (DXF, Version A)
- [3D Model](#) (IGES, Version A)
- [3D Model](#) (STEP, Version A)

[List all Documents](#)

#### Related Products:

- [Tooling](#)

### Product Features (Please use the Product Drawing for all design activity)

#### Product Type Features:

- [Product Type](#) = Connector - RF
- Gender = Jack
- Grade = Commercial
- Sealed = No
- Isolated = No
- Dielectric Material = Polypropylene
- Coupling Nut Material = Brass

#### Mechanical Attachment:

- Surface Mountable = No
- Hardware Included = No
- Panel Mount Retention = Without

#### Electrical Characteristics:

- [Connector Impedance \(Ω\)](#) = 50

#### Termination Features:

- [Coaxial Cable Termination Type](#) = Crimp
- Crimp Type = Dual

#### Body Features:

- Body Style = Straight
- Body Plating = Nickel
- Body Insulation = Without
- Polarized = No

#### Contact Features:

- [Center Contact Material](#) = Beryllium Copper
- [Center Contact Plating](#) = Gold

#### Housing Features:

- Connector Style = Jack

#### Configuration Features:

- [Coaxial Cable Type \(RG/U or Mfg.\)](#) = 174, 188, 316
- Number of Ports = 1
- Solder Terminal = Without

#### Industry Standards:

- Government/Industry Qualification = No
- [RoHS/ELV Compliance](#) = RoHS compliant, ELV compliant
- [Lead Free Solder Processes](#) = Not relevant for lead free process
- RoHS/ELV Compliance History = Always was RoHS compliant

#### Conditions for Usage:

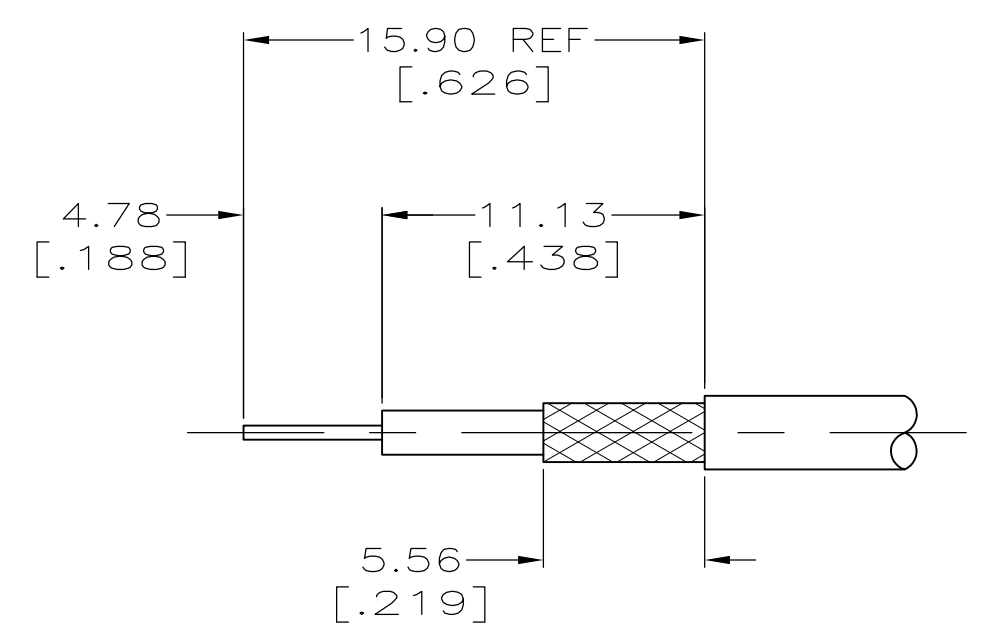
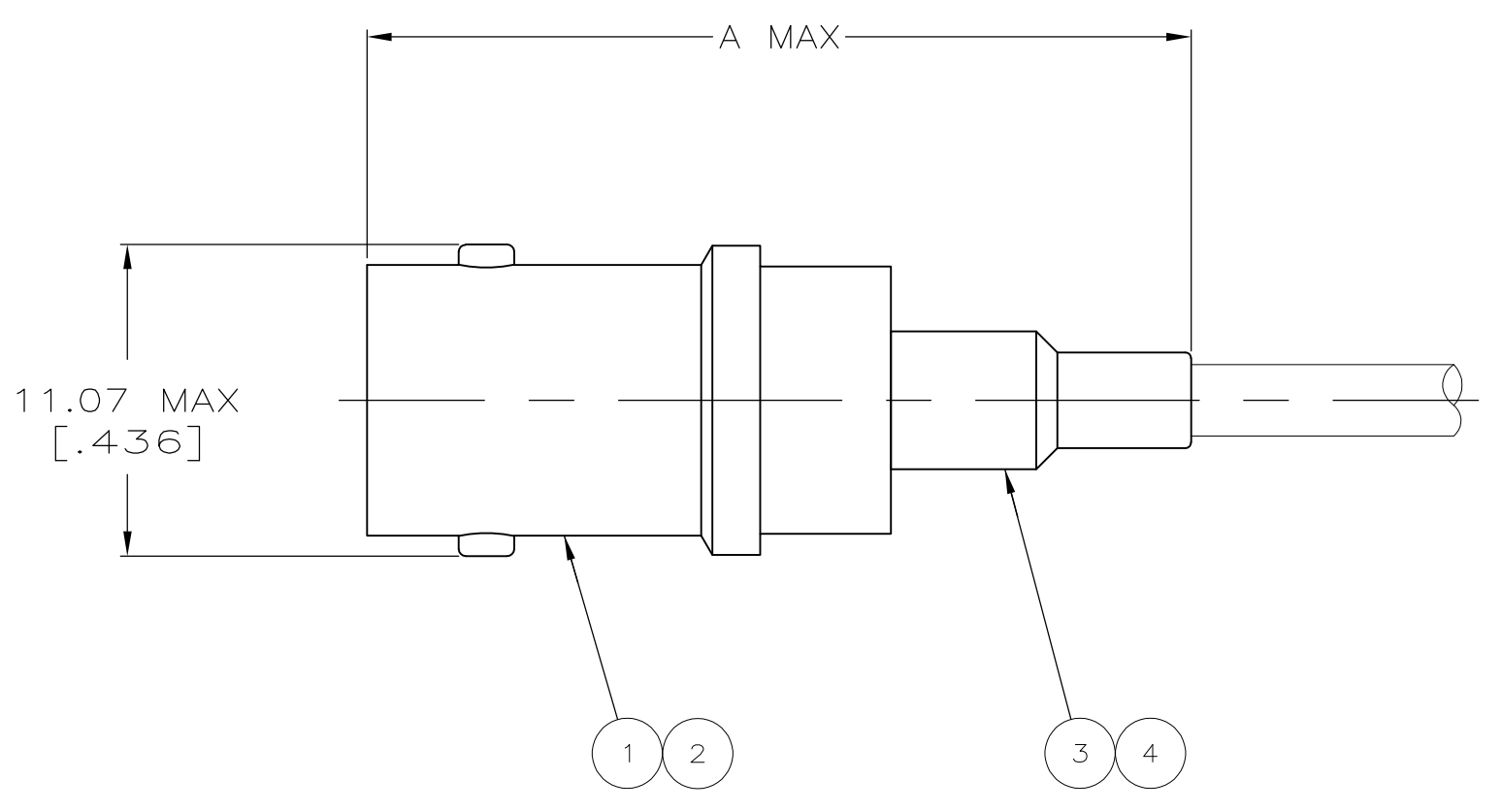
- [Applies To](#) = Coaxial Cable

#### Other:

- Brand = AMP

THIS DRAWING IS UNPUBLISHED. RELEASED FOR PUBLICATION  
 © COPYRIGHT - By - ALL RIGHTS RESERVED.

LOC		DIST		REVISIONS			
P	LR	DESCRIPTION	DATE	OWN	APPD		
AJ	16	A2	REVISED PER ECO-11-005030	11MAR11	RK	HMR	



- 1. USE INSTRUCTION SHEET 408-9050
- △ USE WITH PRO-CRIMPER 354940-1.
- △ OBSOLETE PARTS: OBSOLETE CIS STREAMLINING PER D.RENAUD/D.SINISI

RECOMMENDED STRIP LENGTH

△ OBSOLETE	BELDEN YR40862	220189-1	220187-1	30.48 [1.200]	-	9-50427-1	3-221149-6	221455-1	4-5228979-7
	RG-174/U,188/U & 316/U	220210-1	220009-5	30.48 [1.200]	21427-2	9-328666-0	2-221149-0	221455-3	5228979-7
	RG-59/U,59A/U,59B/U,62/U,62A/U & 62B/U	220189-2	220187-2	30.48 [1.200]	-	9-50428-0	1-221149-3	221455-2	5228979-6
	RG-58/U,58A/U,58B/U,58C/U,141/U & 141A/U	220189-1	220187-1	30.48 [1.200]	-	9-50427-1	221149-6	221455-1	5228979-5
	FOR USE WITH CABLE	DIE SET △2	CRIMP TOOL	A	④ BUSHING QTY = 1	③ FERRULE QTY = 1	② CONTACT QTY = 1	① JACK ASSY QTY = 1	PART NO

THIS DRAWING IS A CONTROLLED DOCUMENT.

DIMENSIONS: MM (INCHES)	TOLERANCES UNLESS OTHERWISE SPECIFIED:	0 PLC ± -	1 PLC ± -	2 PLC ± -	3 PLC ± .016	4 PLC ± -	ANGLES ± -
-------------------------	--	-----------	-----------	-----------	--------------	-----------	------------

DWN: L. VARELA - DOCK5  
 CHK: J. HAVENER  
 APVD: J. LIPPFERT  
 PRODUCT SPEC: 108-12047  
 APPLICATION SPEC: -  
 MATERIAL: -  
 FINISH: -  
 WEIGHT: -  
 CUSTOMER DRAWING

NAME: JACK, COMMERCIAL, BNC  
 SIZE: A1  
 CAGE CODE: 00779  
 DRAWING NO: C=5228979  
 SCALE: 4:1  
 SHEET: 1 OF 1  
 REV: A2

STE TE Connectivity  
 RESTRICTED TO