



Have a Question?
 Chat with a Product Information Specialist

What can we help you find?

[Products](#) [Industries](#) [Resources](#) [About TE](#) [My Account](#) [Innovation](#) [Support Center](#)

5229913-1 Product Details

[Share](#) [Print](#) [Email](#)



5229913-1

TE Internal Number: 5229913-1

Active

[View 3D PDF](#)

2.16 [.085] IDC Connectors

Always EU RoHS/ELV Compliant (Statement of Compliance)

Product Highlights:

- Connector Classification = IDC
- Product Category = Connectors
- Kit
- Kit Type = Connector Kit
- 50 Positions

[View all Features](#)

Quick Links

- ▶ [Pricing & Availability](#)
- ▶ [Search for Tooling](#)
- ▶ [Product Feature Selector](#)
- ▶ [Contact Us About This Product](#)

[Add to My Part List](#) [Request Sample](#) [Find Similar Products](#) [Buy Product](#)

Documentation & Additional Information	
<p>Product Drawings:</p> <ul style="list-style-type: none"> • RECEPTACLE KIT, 50 POSITION, B-SLOT, SCREW LOCK, TAP... (PDF, English) <p>Catalog Pages/Data Sheets:</p> <ul style="list-style-type: none"> • None Available <p>Product Specifications:</p> <ul style="list-style-type: none"> • None Available <p>Application Specifications:</p> <ul style="list-style-type: none"> • None Available <p>Instruction Sheets:</p> <ul style="list-style-type: none"> • None Available <p>CAD Files: (CAD Format & Compression Information)</p> <ul style="list-style-type: none"> • 2D Drawing (DXF, Version 0) • 3D Model (IGES, Version 0) • 3D Model (STEP, Version 0) 	<p>Additional Information:</p> <ul style="list-style-type: none"> • Product Line Information <p>Additional Product Images:</p> <ul style="list-style-type: none"> • Product Photo <p>Related Products:</p> <ul style="list-style-type: none"> • Tooling

[List all Documents](#)

Product Features (Please use the Product Drawing for all design activity)	
<p>Product Type Features:</p> <ul style="list-style-type: none"> • Connector Classification = IDC • Product Category = Connectors • Product Type = Kit • Kit Type = Connector Kit • Gender = Receptacle • Mating Connector Lock = Without • Slot Type Letter Code = B • Wire/Cable Type = 7 Strand, Solid • Protective Cover = Without • Profile = Standard • Color = Black <p>Mechanical Attachment:</p> <ul style="list-style-type: none"> • Panel Mount Retention = Without <p>Electrical Characteristics:</p> <ul style="list-style-type: none"> • Shielded = No <p>Dimensions:</p> <ul style="list-style-type: none"> • Cable Outer Diameter (mm [in]) = 8.89 - 10.80 [0.350 - 0.425] 	<p>Body Features:</p> <ul style="list-style-type: none"> • Wire Range (Solid) (mm [AWG]) = 0.51-0.40 [24-26] • Wire Range (Stranded) (mm² [AWG]) = 0.20² [24] <p>Contact Features:</p> <ul style="list-style-type: none"> • Contact Plating, Mating Area, Material = Gold (30), Gold Flash over Palladium Nickel <p>Housing Features:</p> <ul style="list-style-type: none"> • Housing Color Dot Designation = Blue <p>Configuration Features:</p> <ul style="list-style-type: none"> • Number of Positions = 50 <p>Industry Standards:</p> <ul style="list-style-type: none"> • RoHS/ELV Compliance = RoHS compliant, ELV compliant • Lead Free Solder Processes = Not relevant for lead free process • RoHS/ELV Compliance History = Always was RoHS compliant <p>Packaging Features:</p> <ul style="list-style-type: none"> • Packaging Method = Individual Kit <p>Other:</p> <ul style="list-style-type: none"> • Brand = AMP

Corporate Information

[About TE](#)
[Investors](#)

Quick Links

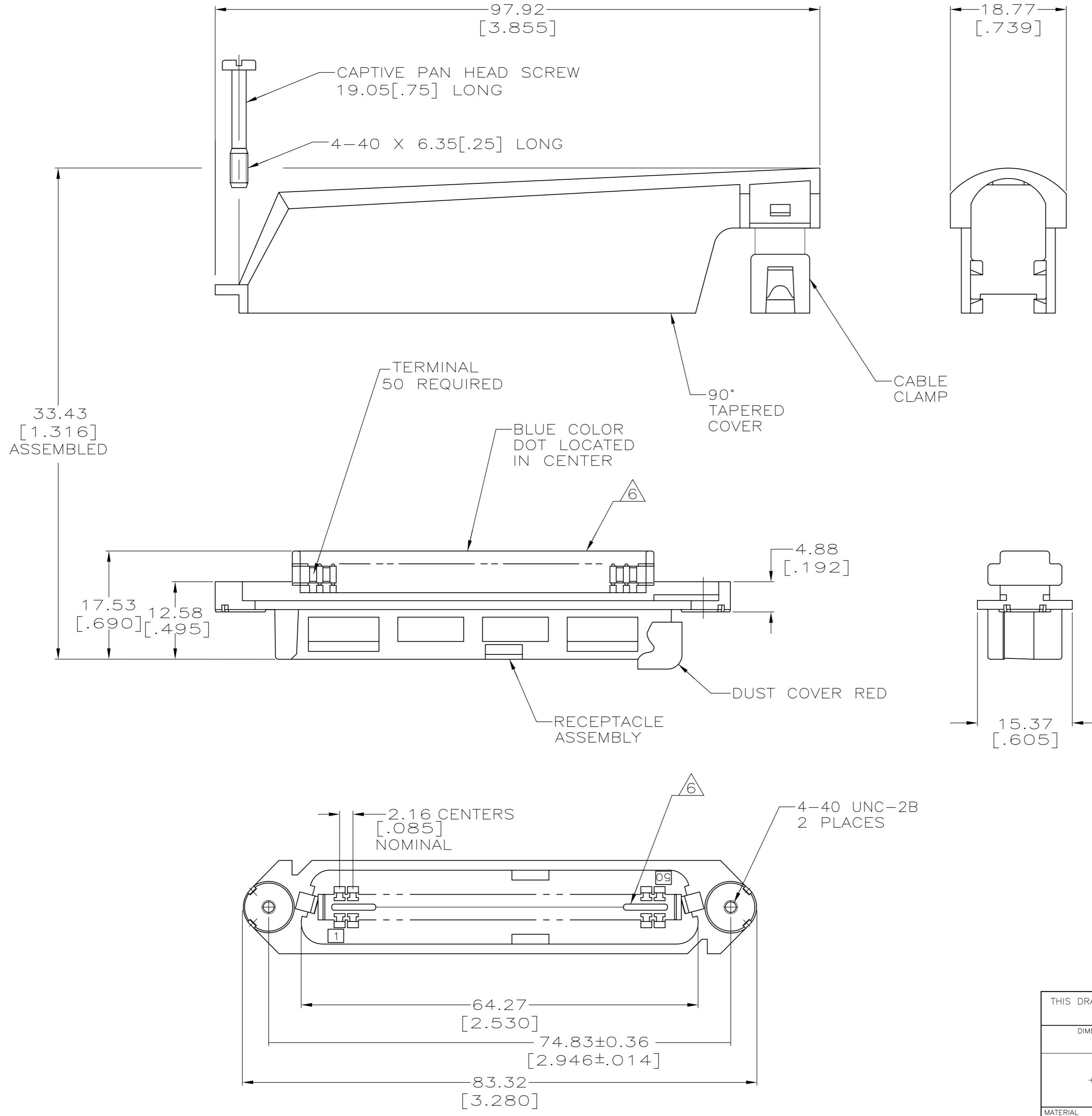
[Distributor Inventory](#)
[Product Cross Reference](#)

Customer Support

[Email or Chat With Us](#)
[Find a Phone Number](#)

THIS DRAWING IS UNPUBLISHED. RELEASED FOR PUBLICATION
 © COPYRIGHT 2005 By - ALL RIGHTS RESERVED.

LOC		DIST		REVISIONS			
GP	00	P	LTR	DESCRIPTION	DATE	DWN	APVD
		B2		REVISED PER ECO-11-004835	11MAR11	RK	HMR



- THE CONTACT SURFACES OF THE TERMINALS ARE COATED WITH LUBRICANT.
- DIMENSIONS ARE MAXIMUM UNLESS OTHERWISE SPECIFIED.
- MATERIAL: HOUSING AND COVER - POLYPHENYLENE OXIDE.
 CABLE CLAMP - POLYESTER MOLDING COMPOUND.
 TERMINAL - HIGH STRENGTH COPPER ALLOY PLATED WITH 0.76µm [.000030] MIN GOLD OR GOLD FLASH OVER PALLADIUM NICKEL PLATE, 0.76µm [.000030] MIN TOTAL ON MATING SURFACE, OVER 1.27µm [.000050] MIN NICKEL UNDERPLATE.
 HARDWARE - ZINC PLATED STEEL.
 DUST COVER - POLYETHYLENE MOLDING COMPOUND.
- THIS KIT SHIPPED NOT ASSEMBLED.
- WIRE SIZE: 24 & 26 AWG SOLID & 24 AWG STRAND COPPER CONDUCTORS. MAXIMUM INSULATION DIAMETER OF 1.15 [.045] IS ACCEPTABLE FOR MOST APPLICATIONS.
- CORING MAY OR MAY NOT APPEAR AND IS AT THE DISCRETION OF AMP INCORPORATED.
- OBSOLETE PARTS: OBSOLETE CIS STREAMLINING PER D.RENAUD/D.SINISI

PACKAGING	CABLE RANGE	DUST COVER	COLOR	PART NUMBER
BULK PACKED	ø7.62-8.26 [ø.300-.325]	YES	BLACK	6-5229913-7
	ø8.89-10.80 [ø.350-.425]	YES	GRAY	6-5229913-4
		YES	BLACK	6-5229913-3
POLY BAGGED	ø10.80-12.70 [ø.425-.500]	NO	BLACK	6-5229913-1
		YES	BLACK	3-5229913-1
	ø8.89-10.80 [ø.350-.425]	NO	BLACK	2-5229913-1
		YES	GRAY	1-5229913-4
		YES	BLACK	1-5229913-1
		NO	GRAY	5229913-4
NO	BLACK	5229913-1		

THIS DRAWING IS A CONTROLLED DOCUMENT.

DWN G.PETERS 23SEP05
 CHK W.MILLHIMES 23SEP05
 APVD M.WALMSLEY 23SEP05

TE Connectivity

RECEPTACLE KIT, 50 POSITION, B-SLOT, SCREW LOCK, TAPERED COVER, CHAMP-LOK

SIZE A2 CAGE CODE 00779 DRAWING NO C=5229913 RESTRICTED TO -

MATERIAL $\Delta 3$ FINISH $\Delta 3$ WEIGHT - SCALE 2:1 SHEET 1 OF 1 REV B2

CUSTOMER DRAWING

5229913

A