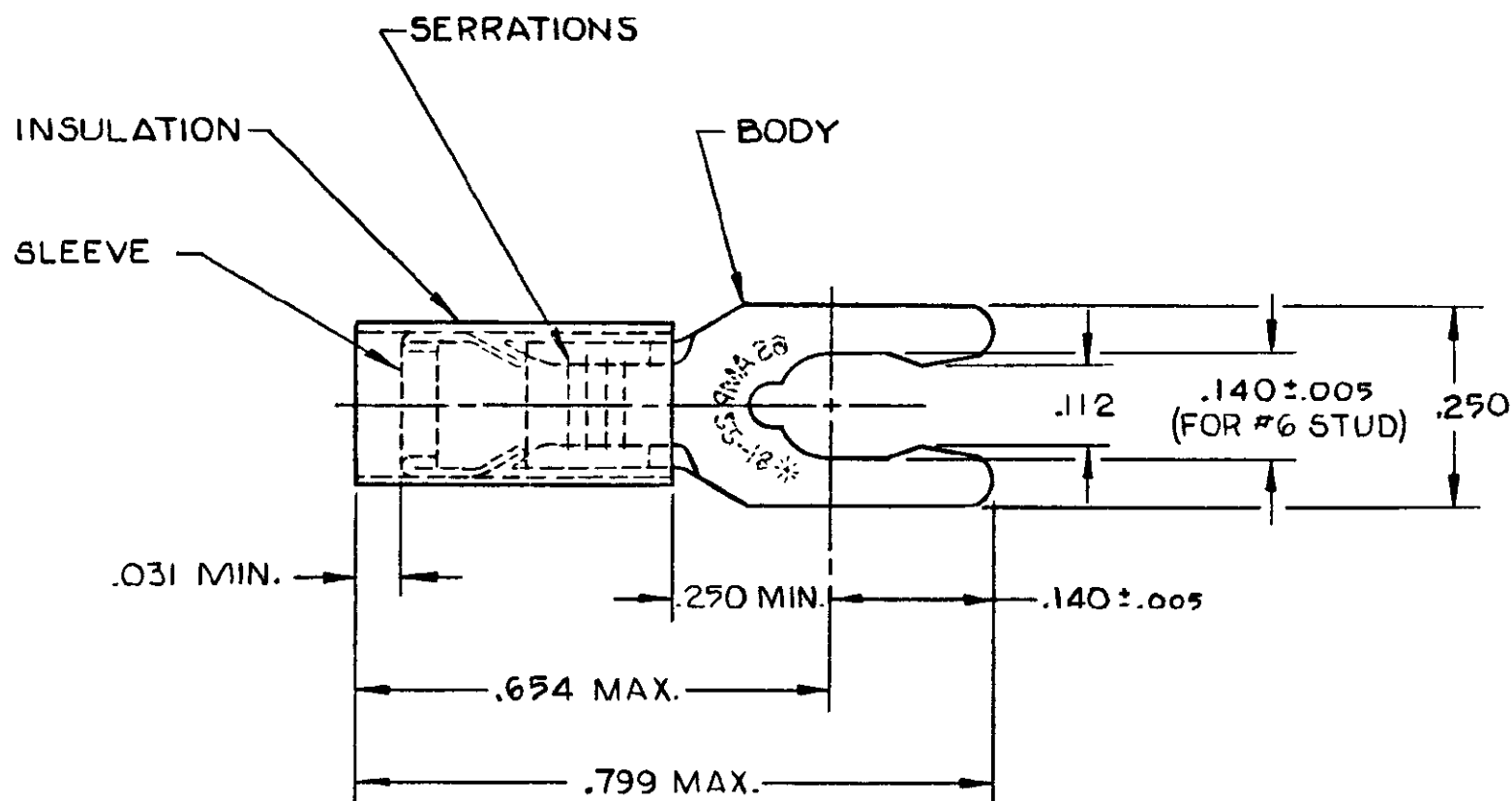


THIS DRAWING IS UNPUBLISHED. RELEASED FOR PUBLICATION, 19
 © COPYRIGHT 19 BY AMP INCORPORATED, HARRISBURG, PA. ALL INTERNATIONAL RIGHTS RESERVED. AMP PRODUCTS MAY BE COVERED BY U.S. AND FOREIGN PATENTS AND/OR PATENTS PENDING.

REVISIONS						
P	F	ZONE	LTR	DESCRIPTION	DATE	APPROVED
✓	✓		G	REDRAWN-REVISED PER G-1477, G-1175, P85-0091 THRU P85-0094	11/27/96	Pgm
✓	✓		H	OBSOLETE - 84-9 PER G-2393	3/24/87	G.S. Pgm
✓			J	REVISED G-3048-57-58	4-12-88	ms/GY
✓	L		K	OBS - S, -6, -7 G-3790, G-3791, G-3792	11/23/88	GY
✓			L	REV PER G-5648	2/5/91	DKS/ME
			M	REV/0720-0049-93	3-18-93	TQ./ME
✓			N	REV/94-3086-001	10-13-94	LO/ME



1. WIRE INSULATION DIA. = SEE TABLE, DIM. "A"
 2. TONGUE MATERIAL THK. = .031 ± .002
 3. 22-18 MARKING FOR MILITARY, COMMERCIAL RANGE 22-16
- 4 TIN PL MILT-10727 .000100 MIN THK
5 NICKEL PL QQ-N-290 .000300 MIN THK.

OBSOLETE
 OBSOLETE
 OBSOLETE
 OBSOLETE
 OBSOLETE

4	.080-.125	5000	ON TAPE, REEL	1-52929-0
4	.080-.125	100	LOOSE PC, BOX SPL	8-52929-5
4	.080-.125	100	LOOSE PC, BOX	8-52929-1
4	.105-.140	100	ON TAPE, SM BOX	52929-9
4	.105-.140	1000	ON TAPE, LG BOX	52929-8
4	.080-.125	100	ON TAPE, SM BOX	52929-7
4	.080-.125	1000	ON TAPE, LG BOX	52929-6
5	.105-.140	5000	ON TAPE, REEL	52929-5
4	.105-.140	5000	ON TAPE, REEL	52929-3
4	.080-.125	5000	ON TAPE, REEL	52929-1
4	.080-.125	---	LOOSE PIECE	52929

BODY FINISH	DIM "A"	QUANTITY	DESCRIPTION	PART NO
UNLESS OTHERWISE SPECIFIED DIMENSIONS ARE IN INCHES. TOLERANCES ON: DECIMALS ±.008 ANGLES ±				
MATERIAL		CONTRACT NO		
INSULATION: NYLON-RED		DR UTA/RFB 9-26-85		
SLEEVE: COPPER (QQ-C-576)		CHK <i>M. J. ...</i> 11-27-96		
BODY: PHOSPHOR BRONZE (QQ-B-750)		APPD <i>Man ...</i>		
OTHER APPD		NAME		
		AMP INCORPORATED Harrisburg, Pa.		
		TERMINAL, P.I.D.G, SPRING SPADE (STUB) WIRE SIZE: 22-16		
SIZE	FSCM NO	DRAWING NO		
B	00779	52929		
SCALE	NTS	SHEET 1 OF 1		