



Have a Question?
 Chat with a Product
 Information Specialist

What can we help you find?

[Products](#) |
 [Industries](#) |
 [Resources](#) |
 [About TE](#) |
 [My Account](#) |
 [Innovation](#) |
 [Support Center](#)

52949 Product Details

[Share](#) |
 [Print](#) |
 [Email](#)



52949

TE Internal Number: 52949

Active

[View 3D PDF](#)

Ring and Spade Tongue Terminals

Always EU RoHS/ELV Compliant (Statement of Compliance)

Product Highlights:

- Terminal Shape = Spring Spade, Short
- Receptacle Style = Straight
- Body Style = PLASTI-GRIP
- Barrel Type = Closed Barrel
- Wire/Cable Type = Regular Wire

[View all Features](#)

Quick Links

- [Pricing & Availability](#)
- [Search for Tooling](#)
- [Product Feature Selector](#)
- [Contact Us About This Product](#)

[Add to My Part List](#) |
 [Request Sample](#) |
 [Find Similar Products](#) |
 [Buy Product](#)

Documentation & Additional Information

Product Drawings:

- [TERMINAL, SPRING SPADE, SHORT, PLASTI-GRIP, WIRE SIZ...](#) (PDF, English)

Catalog Pages/Data Sheets:

- None Available

Product Specifications:

- None Available

Application Specifications:

- [PLASTI-GRIP Terminals and Splices](#) (PDF, English)

Instruction Sheets:

- [AMP* PIDG* \(VINYL\) & PLASTI-GRIP* SHORT SPRING SPADE...](#) (PDF, English)

CAD Files: (CAD Format & Compression Information)

- [2D Drawing](#) (DXF, Version N1)
- [3D Model](#) (IGES, Version N1)
- [3D Model](#) (STEP, Version N1)

[List all Documents](#)

Related Products:

- [Tooling](#)

Product Features (Please use the Product Drawing for all design activity)

Product Type Features:

- Terminal Shape = Spring Spade, Short
- Receptacle Style = Straight
- Barrel Type = Closed Barrel
- Wire/Cable Type = Regular Wire
- Insulation = Yes
- Insulation Support = Insulation Support
- Stud Diameter (mm [in]) = 3.56 [0.140]
- Stud Size = 6 [M3.5]
- Shape = SPADE-029
- Heavy Duty = No
- Finish = Tin
- Color = Red

Electrical Characteristics:

- Voltage (VAC) = 600

Termination Features:

- Wire/Cable Size (CMA) = 509 - 3,260

Dimensions:

- Insulation Diameter (mm [in]) = 2.67 - 3.56 [.105 - .140]

Body Features:

- Body Style = PLASTI-GRIP
- Wire Range (mm [AWG]) = 0.30-1.40² [22-16]
- Material = Brass
- Tongue Material Thickness (mm [in]) = 0.79 [0.031]
- Insulation Material = Vinyl

Industry Standards:

- Government/Industry Qualification = No
- RoHS/ELV Compliance = RoHS compliant, ELV compliant
- Lead Free Solder Processes = Not relevant for lead free process
- RoHS/ELV Compliance History = Always was RoHS compliant

Conditions for Usage:

- Temperature Range (°C) = 90

Packaging Features:

- Packaging Method = Loose Piece
- Packaging Quantity = 1,000

Other:

- Brand = AMP

Corporate Information

[About TE](#)

[Investors](#)

Quick Links

[Distributor Inventory](#)

[Product Cross Reference](#)

Customer Support

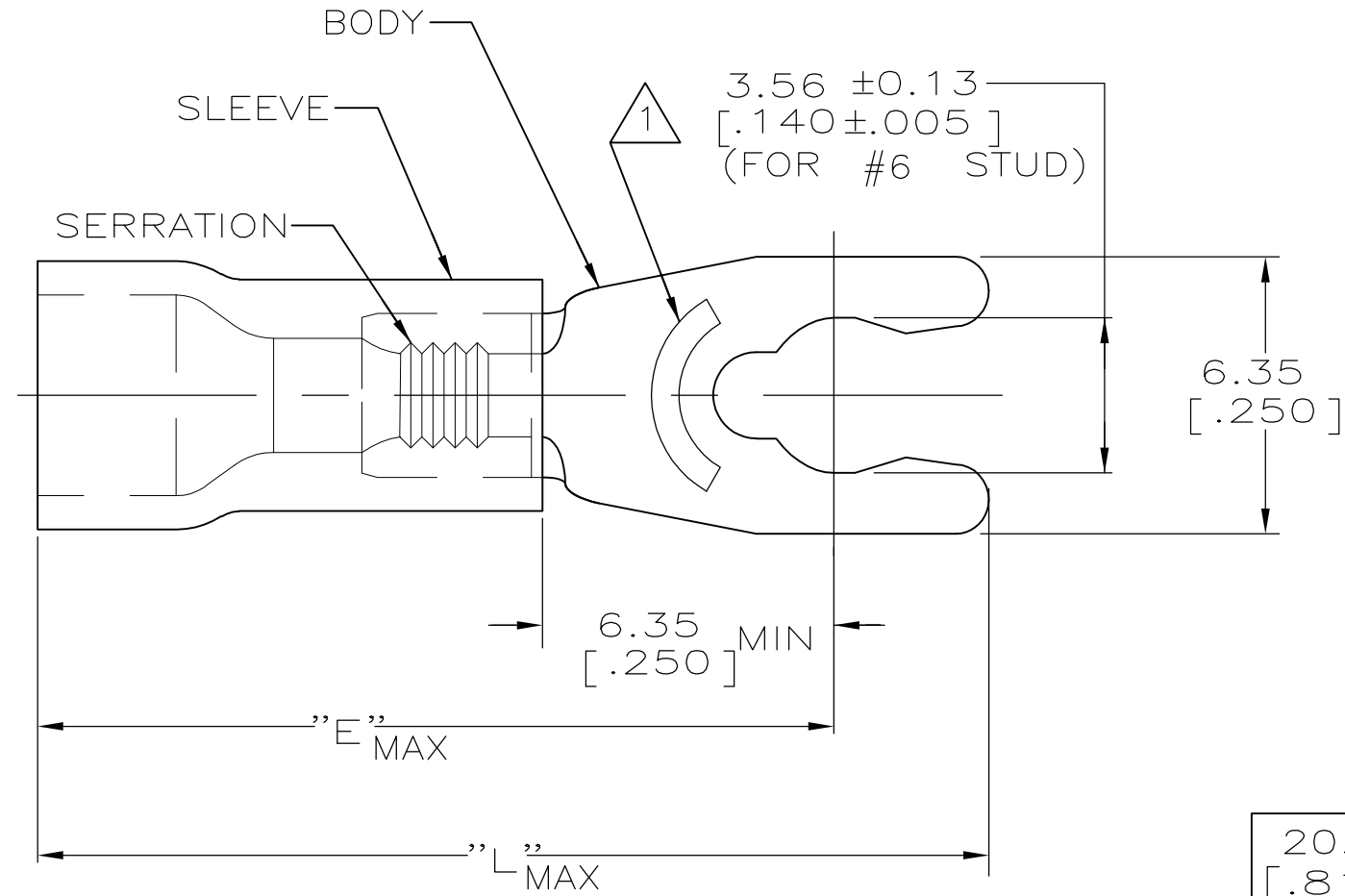
[Email or Chat With Us](#)

[Find a Phone Number](#)

THIS DRAWING IS UNPUBLISHED. RELEASED FOR PUBLICATION
 © COPYRIGHT - By - ALL RIGHTS RESERVED.

LOC	DIST	REVISIONS					
G	14	P	LTR	DESCRIPTION	DATE	DWN	APVD
		P1		REVISED PER ECO-11-004820	11MAR11	RK	HMR

AMP WIRE RANGE	Listed FILE E13288	LR7189 Certified
22-16 AWG SOLID OR STRANDED	22-16 AWG SOLID OR STRANDED	22-16 AWG SOLID OR STRANDED



- 1. STAMP 6S AMP 22-18* APPROX AS SHOWN
22-16 TERMINALS ARE STAMPED 22-18 IN
ACCORDANCE WITH MILITARY SPEC MIL-T-7928
COMMERCIAL WIRE RANGE IS 22-16
- 2. SEE TABLE FOR WIRE INSUL DIA
- 3. TONGUE MATL THK, 0.79±0.05 [.031±.002]
- 4. MATERIAL: BODY - BRASS PER ASTM B36
SLEEVE - PVC, COLOR - RED

20.60 [.811]	16.92 [.666]	2.67-3.56 [.105-.140]	100	LOOSE PIECE, BOX	8-52949-1
21.84 [.860]	18.16 [.715]	3.81-5.08 [.150-.200]	2500	ON TAPE, REEL	52949-3
21.84 [.860]	18.16 [.715]	3.81-5.08 [.150-.200]	1000	LOOSE PIECE	52949-2
20.60 [.811]	16.92 [.666]	2.67-3.56 [.105-.140]	5000	ON TAPE, REEL	52949-1
20.60 [.811]	16.92 [.666]	2.67-3.56 [.105-.140]	1000	LOOSE PIECE	52949
L	E	WIRE INSUL DIA	QTY	PACKAGE TYPE	PART NO

AMP INCORPORATED
CUSTOMER SERVICE SYSTEMS

FOR ADDITIONAL PRODUCT INFORMATION OR COPIES OF DRAWINGS AND TECHNICAL DOCUMENTS
 PRODUCT INFORMATION CENTER
 1-800-522-6752

FOR APPLICATION TOOLING ASSISTANCE CENTER
 TOOLING INFORMATION
 1-800-722-1111

FOR ORDER ENTRY
 1-800-526-5142

MAX RECOMMENDED OPERATING TEMPERATURE:
 105°C [221°F]

VOLTAGE RATING:
 600V MAX
 (1000V FIXTURE OR SIGN)

CIRCULAR MIL AREA:
 0.26-1.65mm² [509-3260]
 SOLID OR STRANDED

THIS DRAWING IS A CONTROLLED DOCUMENT.

DIMENSIONS: mm[INCHES]

TOLERANCES UNLESS OTHERWISE SPECIFIED:

0 PLC ± -
 1 PLC ± -
 2 PLC ± 0.20 [.008]
 3 PLC ± -
 4 PLC ± -
 ANGLES ± -

MATERIAL: TIN PER ASTM B545

DWN L OLMEDA 26JUN95
 CHK M ELLIS 26JUN95
 APVD G NGO 26JUN95

STE TE Connectivity

NAME: TERMINAL, SPRING SPADE, SHORT, PLASTI-GRIP, WIRE SIZE: 22-16

PRODUCT SPEC: UL 486A

APPLICATION SPEC: -

WEIGHT: -

SIZE: A3 CAGE CODE: 00779 DRAWING NO: C-52949 RESTRICTED TO: -

CUSTOMER DRAWING SCALE: 6:1 SHEET: 1 OF 1 REV: P1