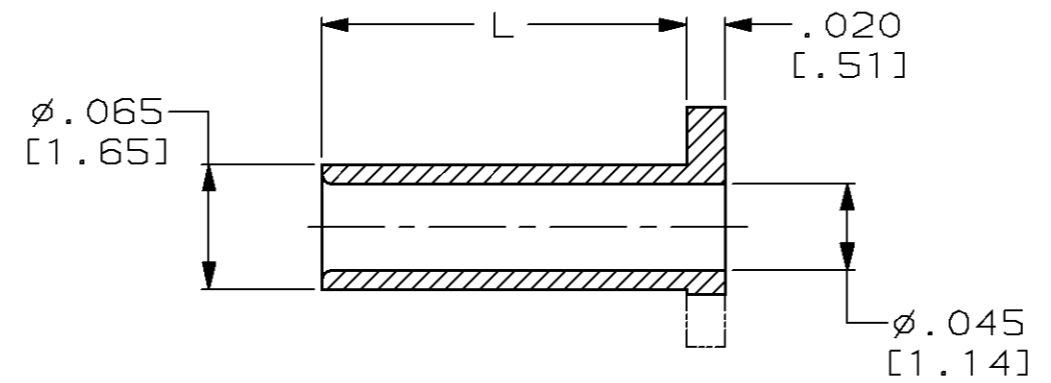
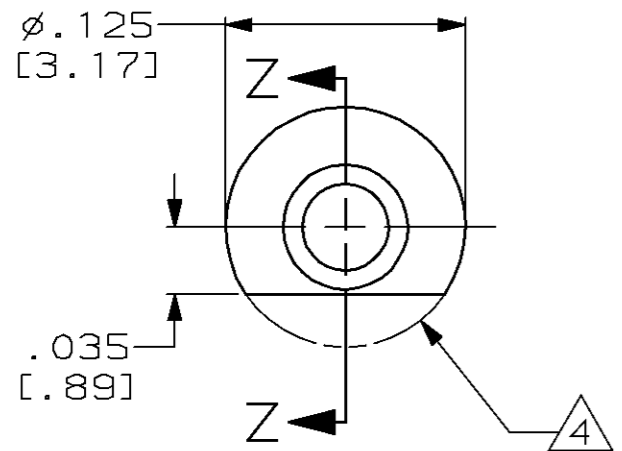


THIS DRAWING IS UNPUBLISHED. RELEASED FOR PUBLICATION, 19 .  
 © COPYRIGHT 19 BY AMP INCORPORATED. ALL RIGHTS RESERVED.

LOC	DIST	REVISIONS			
P	LTR	DESCRIPTION	DATE	DWN	APVD
DF	F0	D	REV REDRAW PER 0600-4885-95	02-05-98	JB DM

- ① BRASS, NICKEL PLATED.
- ② USE TO SECURE KEY PART NUMBER 530341-1 IN PIN HEADER ASSEMBLY PART NUMBER 530339 WITH TOOL PART NUMBER 91117-1.
- ③ USE TO SECURE PART NUMBER 530341-1 IN 1001 SERIES PIN HEADER ASSEMBLY SUCH AS 531721.
- ④ FULL FLANGE HEAD, APPLICABLE WHERE NOTED ONLY (SEE TABLE).



SECTION Z-Z

MILITARY PART NUMBER	REMARKS	L	PART NUMBER
-	AS SHOWN	.125	530347-9
-	④	.145	530347-8
-	AS SHOWN	.145	530347-5
M55302/31-10	③ ④	.190	530347-3
-	AS SHOWN ②	.190	530347-2
M55302/31-05	AS SHOWN ②	.170	530347-1

<small>THIS DRAWING IS A CONTROLLED DOCUMENT FOR AMP INCORPORATED. IT IS SUBJECT TO CHANGE AND THE CONTROLLING ENGINEERING ORGANIZATION SHOULD BE CONTACTED FOR THE LATEST REVISION.</small>		DWN T. ALEXANDER 12-15-94 CHK D. MILLER 12-22-94 APVD B. FOLEY 12-22-94	<b>AMP</b> AMP Incorporated Harrisburg, PA 17105-3608
DIMENSIONS: mm 	TOLERANCES UNLESS OTHERWISE SPECIFIED: 0 PLC ±- 1 PLC ±- 2 PLC ±- 3 PLC ±.005 [.13] 4 PLC ±- ANGLES ±-	PRODUCT SPEC - APPLICATION SPEC - WEIGHT -	NAME <b>KEY RIVET, BOX CONNECTOR</b>
MATERIAL ①	FINISH ①	SIZE A3 CAGE CODE 00779 DRAWING NO C-530347	SCALE 10:1 SHEET 1 OF 1 REV D
CUSTOMER DRAWING			

# Mouser Electronics

Authorized Distributor

Click to View Pricing, Inventory, Delivery & Lifecycle Information:

[TE Connectivity:](#)

[530347-2](#)