

Distributed by:

**JAMECO**<sup>®</sup>  
ELECTRONICS

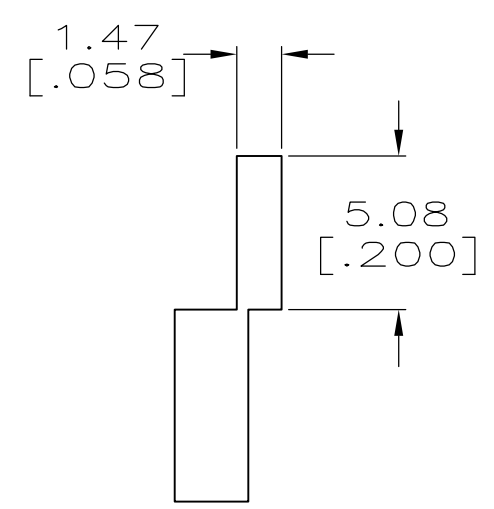
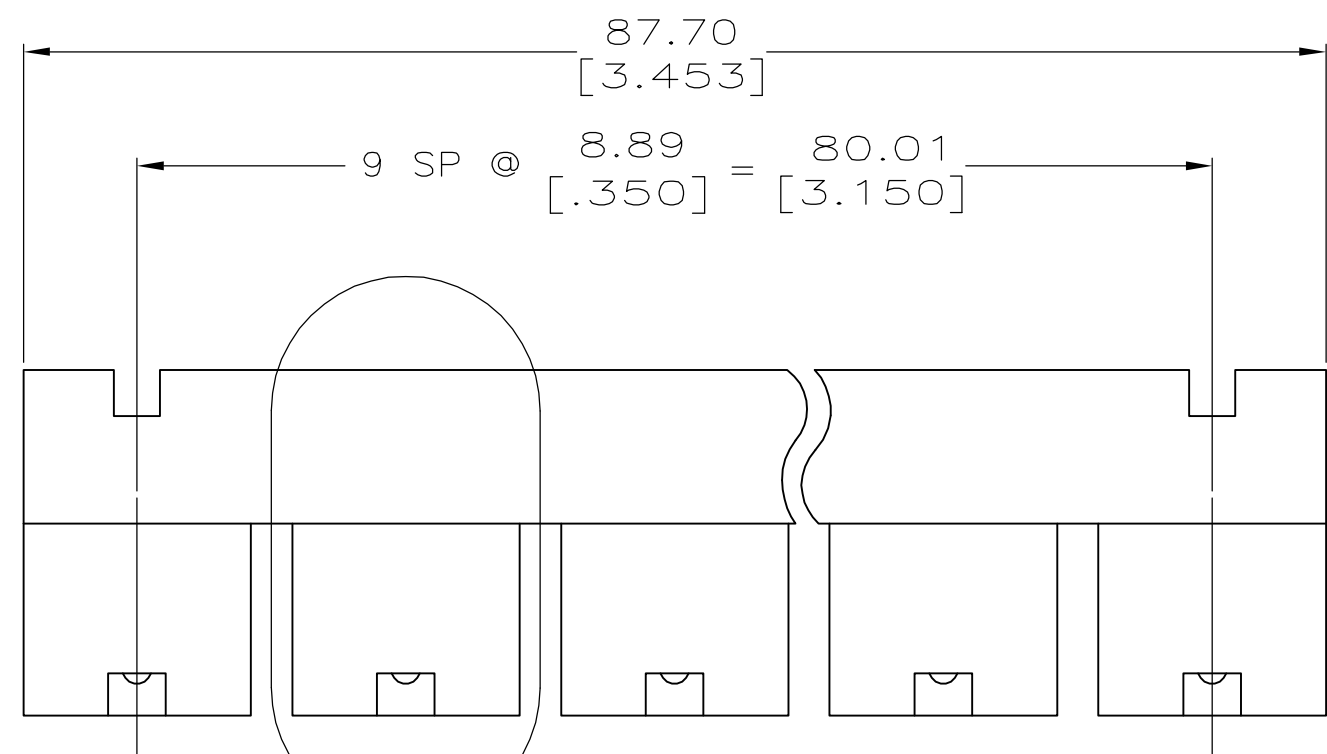
**www.Jameco.com ♦ 1-800-831-4242**

The content and copyrights of the attached  
material are the property of its owner.

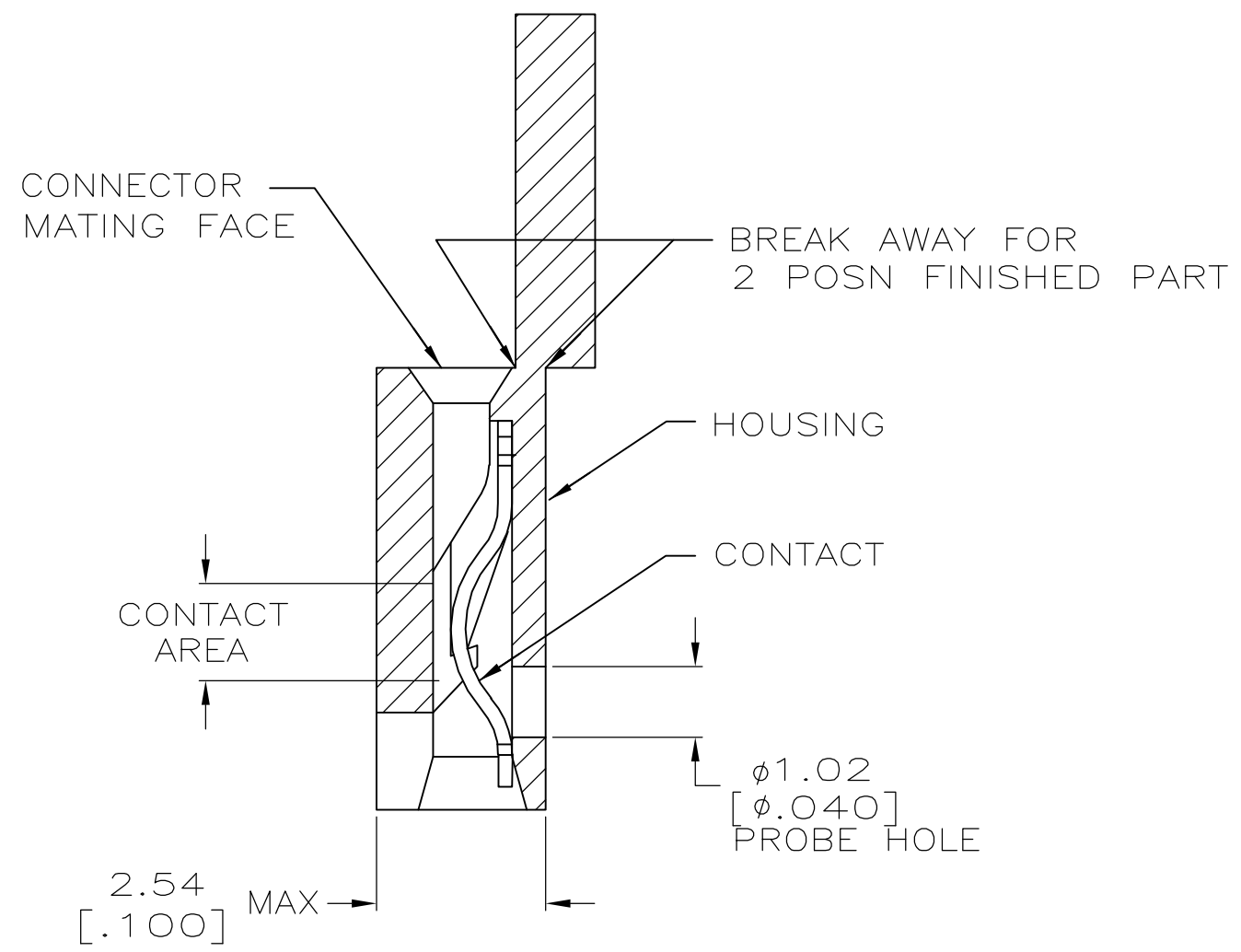
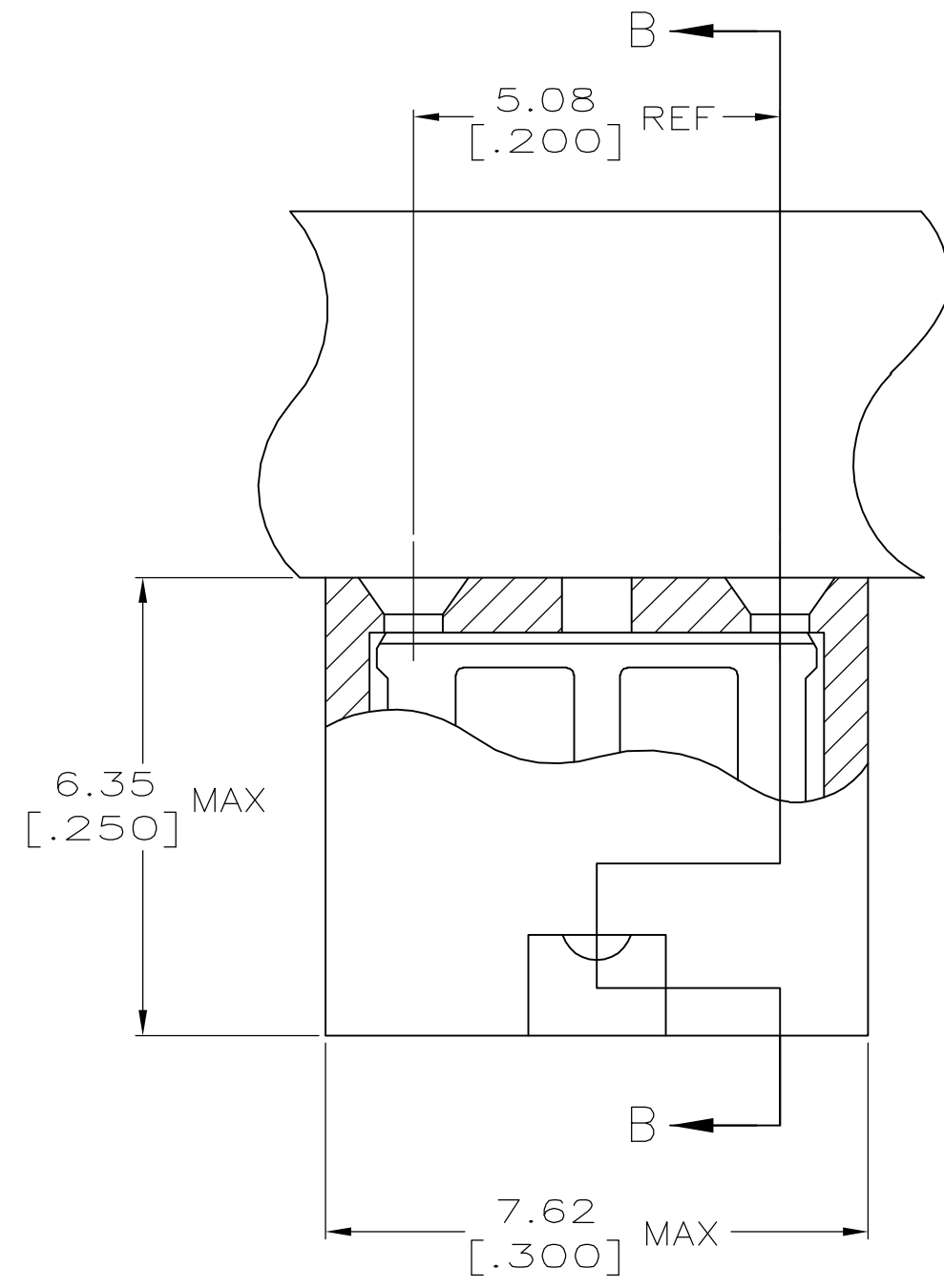
Jameco Part Number 851016

THIS DRAWING IS UNPUBLISHED. RELEASED FOR PUBLICATION  
 © COPYRIGHT BY TYCO ELECTRONICS CORPORATION. ALL RIGHTS RESERVED.

LOC		DIST		REVISIONS			
P	LTR	DESCRIPTION	DATE	DWN	APVD		
	F1	ECO-06-7221	14AUG06	MB	NE		



- 1 MATERIAL:  
HOUSING: GLASS-FILLED POLYESTER, COLOR-BLACK.  
CONTACT: BERYLLIUM COPPER.
- 2 CONTACT PLATED WITH 0.00254 [.000100] TIN-LEAD OVER ALL.
- 3 CONTACT PLATED WITH 0.00038 [.000015] GOLD IN CONTACT AREA OVER 0.00127 [.000050] NICKEL OVER ALL.
- 4 CONTACT PLATED WITH 0.00076 [.000030] GOLD IN CONTACT AREA OVER 0.00127 [.000050] NICKEL OVER ALL.
- 5 PART NO. DENOTES INDIVIDUAL TWO POSITION SHUNT, WHICH IS PACKAGED ON BREAKAWAY COMBS OF TEN SHUNTS.
- 6 CONNECTOR MATES WITH WIRE WRAP POSTS, 0.64 [.025] SQUARE OR ROUND AND 0.56 [.022] X 0.66 [.026] POSTS. LENGTH 5.08 [.200] MINIMUM.
- 7 CONTACT PLATED WITH 0.00254 [.000100] MATTE TIN OVER ALL.
- 8 PART NO. DENOTES INDIVIDUAL TWO POSITION SHUNT, WHICH IS PACKAGED LOOSE PIECE.
- 9 PRELIMINARY P/N - NOT RELEASED FOR PRODUCTION



SECTION B-B  
SCALE 10:1

DETAIL A  
SCALE 10:1

FINISH	PART NUMBER
7	531230-5
4	531230-4
3	531230-3
2	531230-2
1	531230-1

THIS DRAWING IS A CONTROLLED DOCUMENT.		DWN R.TALLEY 3-12-91	<b>tyco</b> Tyco Electronics Corporation	
DIMENSIONS: mm [INCHES]		CHK -	Harrisburg, PA 17105-3608	
TOLERANCES UNLESS OTHERWISE SPECIFIED:		APVD -	NAME	
0 PLC ± -	1 PLC ± -	PRODUCT SPEC 108-9057	LOW PROFILE SHUNT CONNECTOR	
2 PLC ± -	3 PLC ± 0.26 [.010]	APPLICATION SPEC 114-1059	5.08 [.200] CL	
4 PLC ± -	ANGLES ± -	WEIGHT -	SIZE A2	CAGE CODE 00779
FINISH SEE TABLE		CUSTOMER DRAWING	DRAWING NO C=531230	RESTRICTED TO -
		SCALE 4:1	SHEET 1 of 1	REV F1