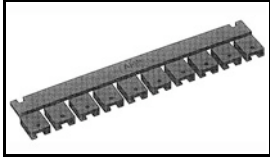


531230-4 Product Details

[Share](#) [Print](#) [Email](#)




531230-4

TE Internal Number: 531230-4

 Active

 [View 3D PDF](#)

Post Shunts

-  Always EU RoHS/ELV Compliant
(Statement of Compliance)

Product Highlights:

- Shunt
- Shunt Type = Standard Housing
- 2 Positions
- 5.08 mm Centerline
- Tin Contact Plating, Mating Area, Material

[View all Features](#)

Quick Links

- ▶ [Pricing & Availability](#)
- ▶ [Search for Tooling](#)
- ▶ [Product Feature Selector](#)
- ▶ [Contact Us About This Product](#)

[Add to My Part List](#)

[Request Sample](#)

[Find Similar Products](#)

[Buy Product](#)

Documentation & Additional Information

Product Drawings:

- [LOW PROFILE SHUNT CONNECTOR 5.08 \[1.200\] CL](#) (PDF, English)

Catalog Pages/Data Sheets:

- None Available

Product Specifications:

- [Low Profile Shunt Connector](#) (PDF, English)

Application Specifications:

- [Low Profile, Economy, Dual Beam, and Multiposition Sh...](#) (PDF, English)

Instruction Sheets:

- None Available

CAD Files: (CAD Format & Compression Information)

- [2D Drawing](#) (DXF, Version F1)
- [3D Model](#) (IGES, Version F1)
- [3D Model](#) (STEP, Version F1)

[List all Documents](#)

Additional Information:

- [Product Line Information](#)

Related Products:

- [Tooling](#)

Product Features (Please use the Product Drawing for all design activity)

Product Type Features:

- Product Type = Shunt
- Shunt Type = Standard Housing
- Shunt Style = Open Top
- Profile = Low

Electrical Characteristics:

- Contact - Rated Current (A) = 3
- Dielectric Withstanding Voltage (V) = 1000
- Insulation Resistance (MΩ) = 1,000

Dimensions:

- Height (mm [in]) = 6.35 [0.250]

Body Features:

- Handle = Without

Contact Features:

Housing Features:

- Centerline (mm [in]) = 5.08 [0.200]
- Housing Color = Black
- Housing Material = Polyester GF
- UL Flammability Rating = UL 94V-0

Configuration Features:

- Number of Positions = 2

Industry Standards:

- RoHS/ELV Compliance = RoHS compliant, ELV compliant
- Lead Free Solder Processes = Not relevant for lead free process
- RoHS/ELV Compliance History = Always was RoHS compliant
- UL Rating = Recognized
- CSA Certified = Yes

- Contact Plating, Mating Area, Material = Tin
- Contact Base Material = Beryllium Copper

Packaging Features:

- Packaging Method = Stick of 10

Other:

- Brand = AMP

Corporate Information

[About TE](#)
[Investors](#)
[News Room](#)
[Supplier Portal](#)
[Careers](#)
[Terms & Conditions](#)
[Privacy Policy](#)

Quick Links

[Distributor Inventory](#)
[Product Cross Reference](#)
[Documents & Drawings](#)
[Product Compliance Support Center](#)
[Site Map](#)

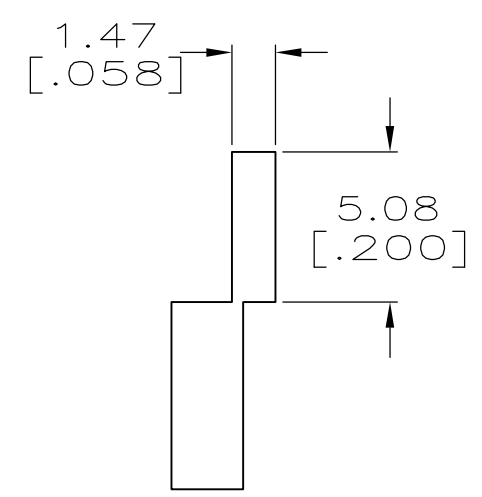
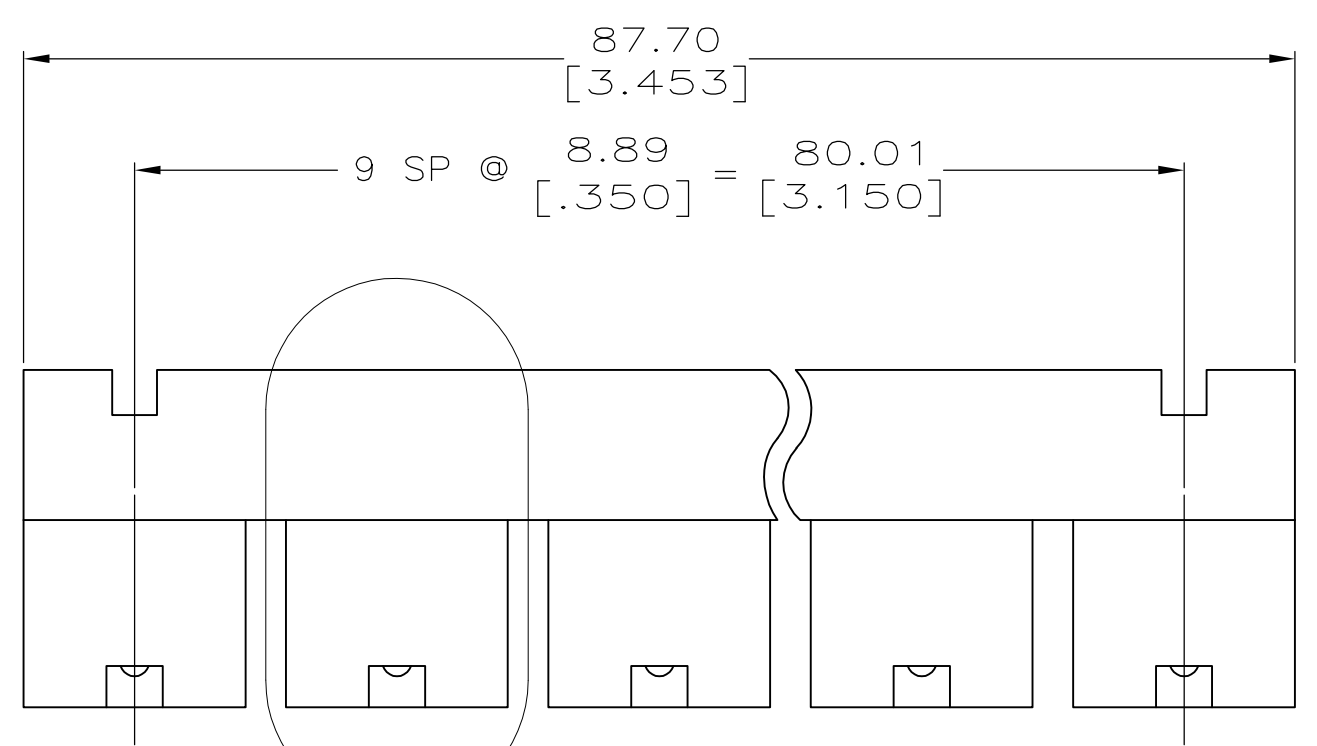
Customer Support

[Email or Chat With Us](#)
[Find a Phone Number](#)
[Knowledge Base](#)
[Manage Your Account](#)

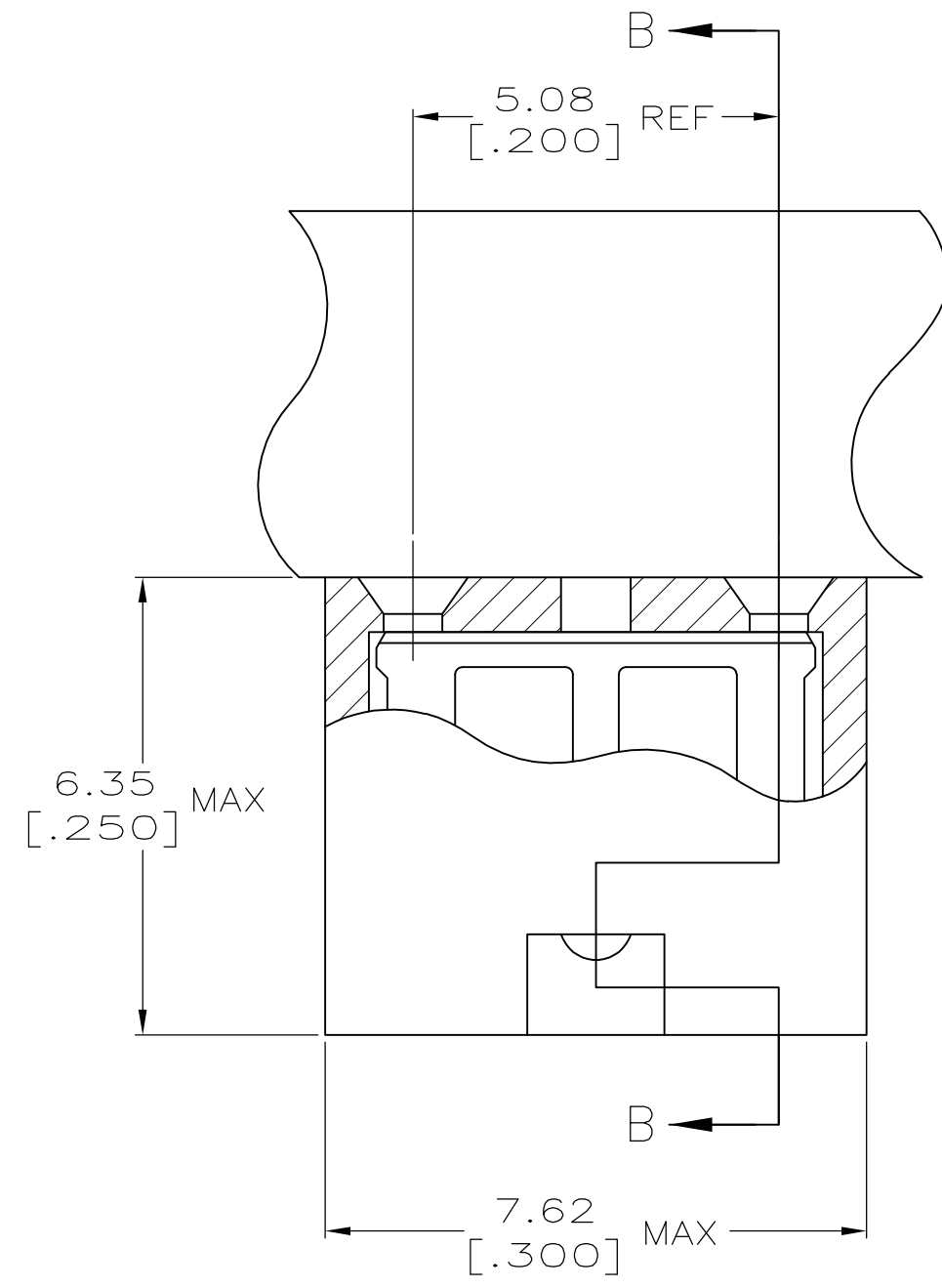
Keep Me Informed

THIS DRAWING IS UNPUBLISHED. RELEASED FOR PUBLICATION
 © COPYRIGHT - By - ALL RIGHTS RESERVED.

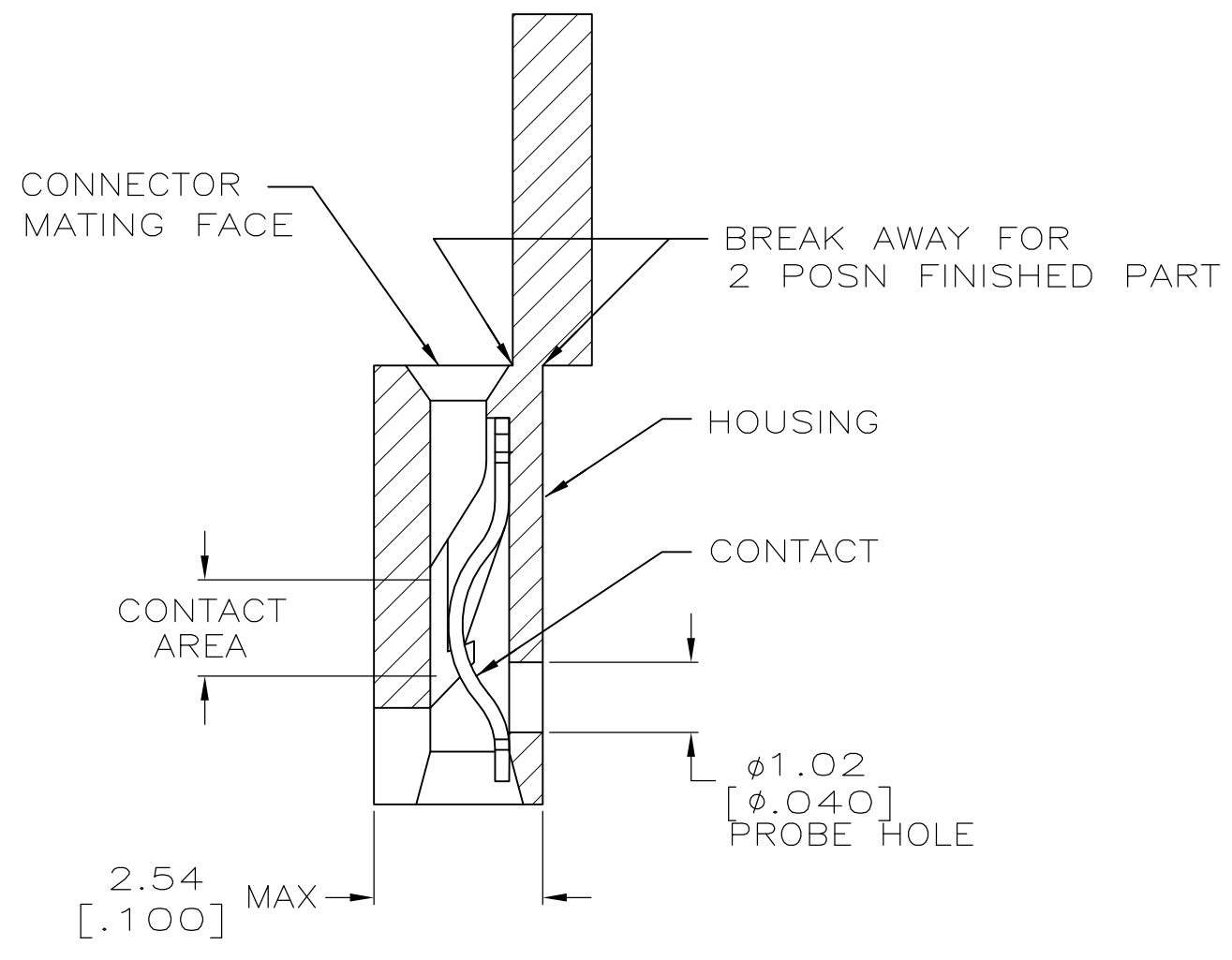
LOC		DIST		REVISIONS			
P	LTR	DESCRIPTION	DATE	DWN	APVD		
AG	00						
	F2	REVISED PER ECO-11-004820	11MAR11	RK	HMR		



- 1 MATERIAL:
HOUSING: GLASS-FILLED POLYESTER, COLOR-BLACK.
CONTACT: BERYLLIUM COPPER.
- 2 CONTACT PLATED WITH 0.00254 [.000100] TIN-LEAD OVER ALL.
- 3 CONTACT PLATED WITH 0.00038 [.000015] GOLD IN CONTACT AREA OVER 0.00127 [.000050] NICKEL OVER ALL.
- 4 CONTACT PLATED WITH 0.00076 [.000030] GOLD IN CONTACT AREA OVER 0.00127 [.000050] NICKEL OVER ALL.
- 5 PART NO. DENOTES INDIVIDUAL TWO POSITION SHUNT, WHICH IS PACKAGED ON BREAKAWAY COMBS OF TEN SHUNTS.
- 6 CONNECTOR MATES WITH WIRE WRAP POSTS, 0.64 [.025] SQUARE OR ROUND AND 0.56 [.022] X 0.66 [.026] POSTS. LENGTH 5.08 [.200] MINIMUM.
- 7 CONTACT PLATED WITH 0.00254 [.000100] MATTE TIN OVER ALL.
- 8 PART NO. DENOTES INDIVIDUAL TWO POSITION SHUNT, WHICH IS PACKAGED LOOSE PIECE.
- 9 PRELIMINARY P/N - NOT RELEASED FOR PRODUCTION



DETAIL A
SCALE 10:1



SECTION B-B
SCALE 10:1

FINISH	PART NUMBER
7	531230-5
4	531230-4
3	531230-3
2	531230-2
1	531230-1

THIS DRAWING IS A CONTROLLED DOCUMENT.		DWN R.TALLEY 3-12-91	STE TE Connectivity				
DIMENSIONS: mm [INCHES]		CHK -					
TOLERANCES UNLESS OTHERWISE SPECIFIED:		APVD -	NAME LOW PROFILE SHUNT CONNECTOR 5.08 [.200] CL				
0 PLC ± -		PRODUCT SPEC 108-9057					
1 PLC ± -		APPLICATION SPEC 114-1059	SIZE A2	CAGE CODE 00779	DRAWING NO C=531230	RESTRICTED TO -	
2 PLC ± -		MATERIAL 1	CUSTOMER DRAWING		SCALE 4:1	SHEET 1 of 1	REV F2
3 PLC ± 0.26 [.010]		FINISH SEE TABLE					
4 PLC ± -							
ANGLES ± -							