

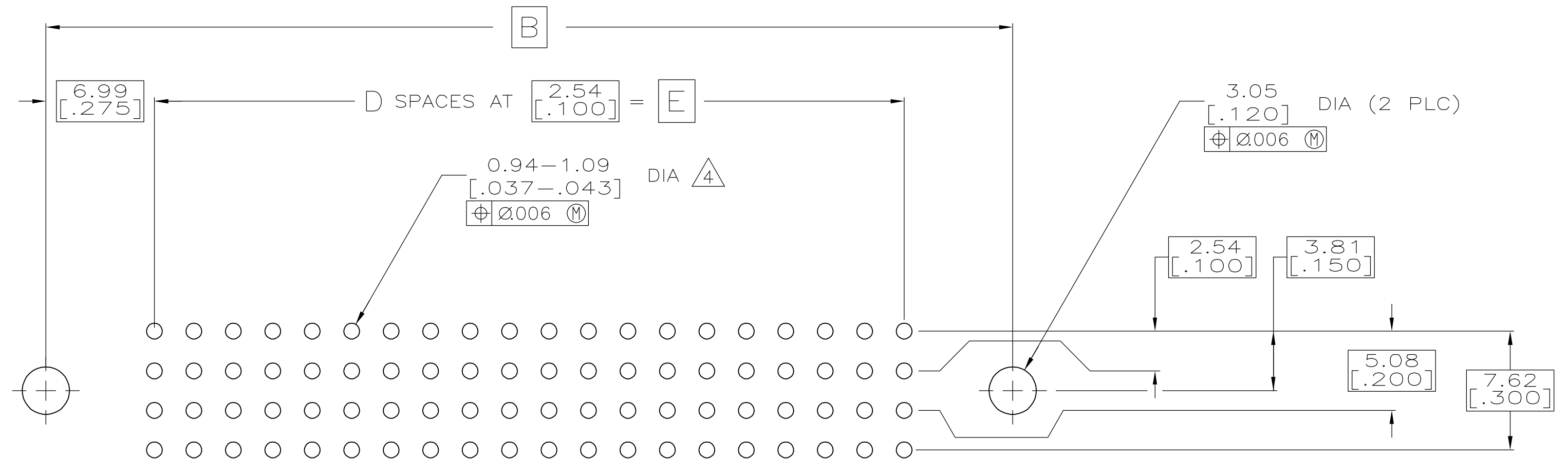
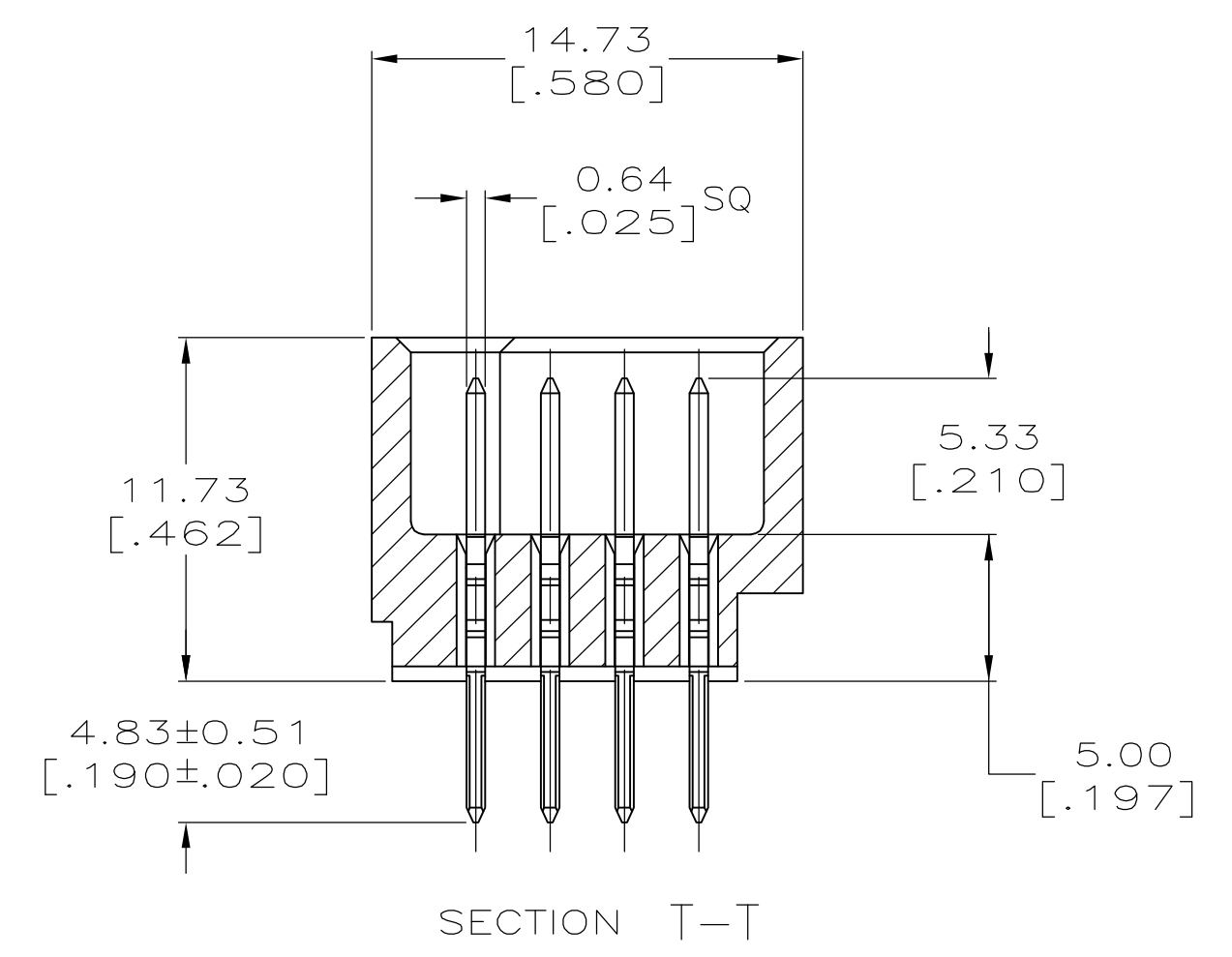
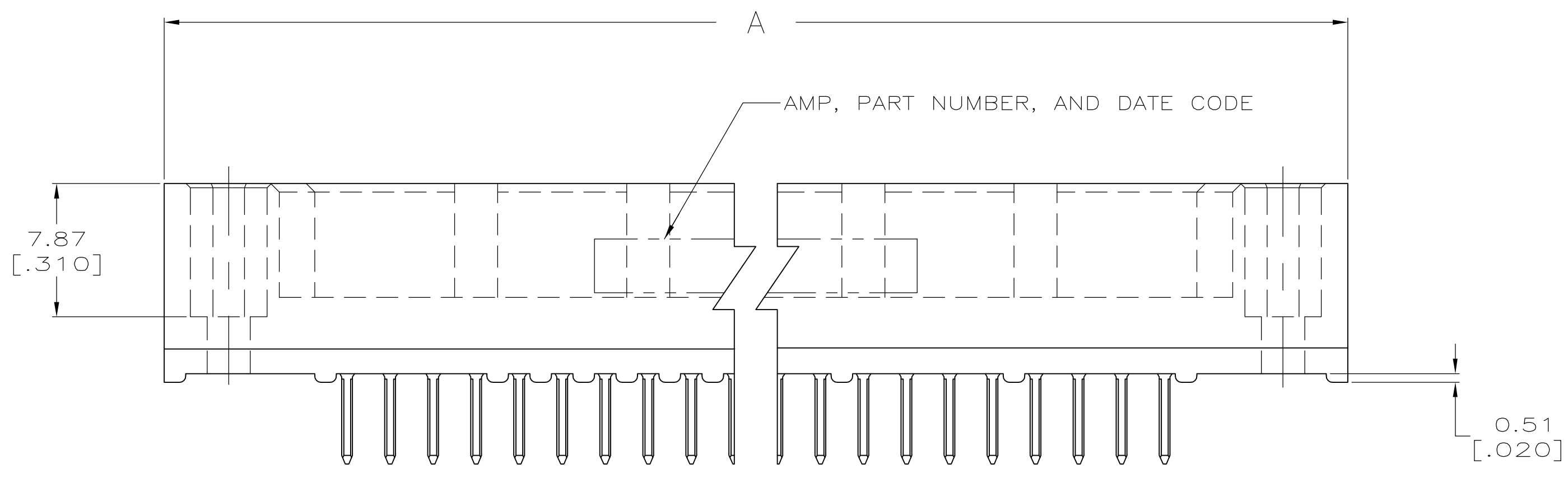
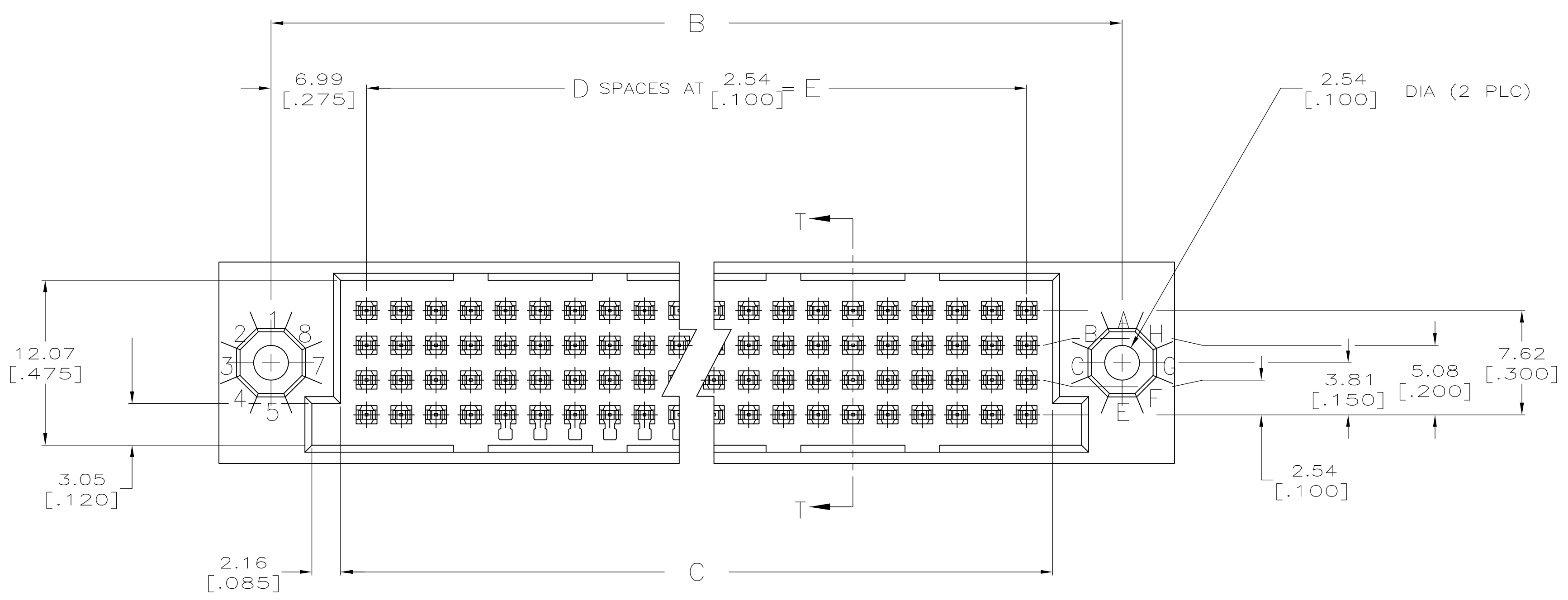
Distributed by:

JAMECO[®]
ELECTRONICS

www.Jameco.com ♦ 1-800-831-4242

The content and copyrights of the attached
material are the property of its owner.

Jameco Part Number 754099



RECOMMENDED P.C. BOARD LAYOUT

THIS DRAWING IS A CONTROLLED DOCUMENT.		DIN R.K. SEIFRIED 8-18-92	04/09/90	Tyco Electronics Corporation Harrisburg, PA 17105-3608	
DIMENSIONS: mm [INCHES]		CHK F. KIBLER	APVD	NAME	
TOLERANCES UNLESS OTHERWISE SPECIFIED:		PRODUCT SPEC		HDI, 4 ROW, PIN ASSEMBLY, 4.83 [.190] LONG SOLDER PINS, .00076 [.000030] GOLD PLATE	
0 PLC ± -		APPLICATION SPEC		SIZE	
1 PLC ± -		MATERIAL		CAGE CODE	
2 PLC ± -		FINISH		DRAWING NO	
3 PLC ± 0.13 [.005]		WEIGHT		A1 00779	
4 PLC ± -		CUSTOMER DRAWING		SCALE 4:1	
ANGLES ± -		SHEET 1 OF 2		REV R	

- ① HOUSING MATERIAL: THERMOPLASTIC, COLOR-BLACK.
- ② CONTACT MATERIAL: PHOSPHOR BRONZE.
- ③ CONTACT FINISH: .00127-.00254 [.000050-.000100] NICKEL UNDERPLATE ALL OVER; .00076 [.000030] GOLD PLATE IN CONTACT AREA, TIN-LEAD PLATED POSTS.
- ④ SOLDER PIN POST RECOMMENDED P.C. BOARD HOLE SIZES ARE 0.94-1.09 [.037-.043]; RECOMMENDED PAD DIA IS 1.52 [.060].
- 5. DIMENSIONS IN BRACKETS ARE IN INCHES.
- ⑥ HOUSINGS WITH CENTER MOUNTING IS RECOMMENDED FOR ASSEMBLIES HAVING 75 CONTACTS PER ROW OR MORE.
- ⑦ PART NUMBER IS OBSOLETE.

⑥⑦							1-532436-9
⑦							1-532436-8
⑥⑦							1-532436-7
⑥⑦							1-532436-6
⑥⑦							1-532436-5
⑥⑦							1-532436-4
⑥⑦	200.66 [7.900]	79	204.47 [8.050]	214.63 [8.450]	222.25 [8.750]	320	1-532436-3
	187.96 [7.400]	74	191.77 [7.550]	201.93 [7.950]	209.55 [8.250]	300	1-532436-2
⑦	175.26 [6.900]	69	179.07 [7.050]	189.23 [7.450]	196.85 [7.750]	280	1-532436-1
⑦	162.56 [6.400]	64	166.37 [6.550]	176.53 [6.950]	184.15 [7.250]	260	1-532436-0
	149.86 [5.900]	59	153.67 [6.050]	163.83 [6.450]	171.45 [6.750]	240	532436-9
	137.16 [5.400]	54	140.97 [5.550]	151.13 [5.950]	158.75 [6.250]	220	532436-8
	124.46 [4.900]	49	128.27 [5.050]	138.43 [5.450]	146.05 [5.750]	200	532436-7
	111.76 [4.400]	44	115.57 [4.550]	125.73 [4.950]	133.35 [5.250]	180	532436-6
	99.06 [3.900]	39	102.87 [4.050]	113.03 [4.450]	120.65 [4.750]	160	532436-5
	86.36 [3.400]	34	90.17 [3.550]	100.33 [3.950]	107.95 [4.250]	140	532436-4
	78.74 [3.100]	31	82.55 [3.250]	92.71 [3.650]	100.33 [3.950]	128	532436-3
	73.66 [2.900]	29	77.47 [3.050]	87.63 [3.450]	95.25 [3.750]	120	532436-2
	60.96 [2.400]	24	64.77 [2.550]	74.93 [2.950]	82.55 [3.250]	100	532436-1
	E	D	C	B	A	POSN	PART NUMBER

THIS DRAWING IS A CONTROLLED DOCUMENT.		DIN R.K. SEIFRIED 04/09/90		Tyco Electronics Corporation	
DIMENSIONS: mm [INCHES]		CHK F. KIBLER 8-18-92		Harrisburg, PA 17105-3608	
TOLERANCES UNLESS OTHERWISE SPECIFIED:		APVD		NAME	
0 PLC ± -		-		HDI, 4 ROW, PIN ASSEMBLY,	
1 PLC ± -		-		4.83 [.190] LONG SOLDER PINS,	
2 PLC ± -		-		.00076 [.000030] GOLD PLATE	
3 PLC ± 0.13 [.005]		-		SIZE	
4 PLC ± -		-		A 1	
ANGLES ± -		-		CAGE CODE DRAWING NO	
FINISH		-		00779 532436	
MATERIAL		WEIGHT		RESTRICTED TO	
①②		-		-	
③		-		CUSTOMER DRAWING	
		SCALE 4:1		SHEET 2 OF 2	
				REV R	