

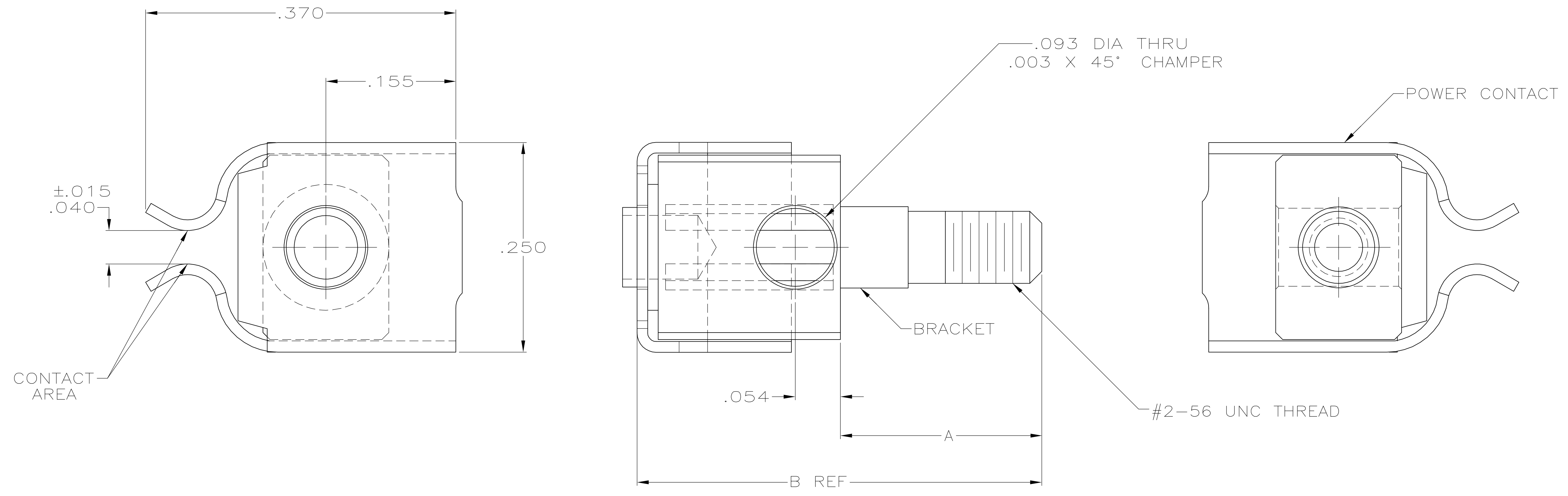
Distributed by:

JAMECO[®]
ELECTRONICS

www.Jameco.com ♦ 1-800-831-4242

The content and copyrights of the attached
material are the property of its owner.

Jameco Part Number 954023



- ① CONTACT MATERIAL: PHOSPHOR BRONZE.
- ② BRACKET MATERIAL: BRASS.
- ③ FINISH: .000050 - .000100 NICKEL UNDERPLATE ALL OVER, .000030 GOLD IN CONTACT AREA, GOLD FLASH ON REMAINDER.
- ④ FINISH: .000050 - .000100 NICKEL ALL OVER.
- ⑤ FINISH: .000050 - .000100 NICKEL UNDERPLATE ALL OVER, .000050 GOLD IN CONTACT AREA, GOLD FLASH ON REMAINDER.

OBSOLETE	.613	.360	③	1-532924-1
OBSOLETE	.648	.395	③	1-532924-0
OBSOLETE	.578	.325	③	532924-9
OBSOLETE	.678	.425	③	532924-8
	.478	.225	③	532924-7
OBSOLETE	.443	.190	③	532924-6
OBSOLETE	.538	.285	③	532924-5
	.538	.285	③	532924-4
	.578	.325	③	532924-3
	-	-	-	-
	.678	.425	③	532924-1
	B	A	FINISH	PART NUMBER

THIS DRAWING IS A CONTROLLED DOCUMENT.

DIMENSIONS: mm [INCHES]	TOLERANCES UNLESS OTHERWISE SPECIFIED: 0 PLC ± - 1 PLC ± - 2 PLC ± - 3 PLC ± .005 4 PLC ± - ANGLES ± -	FINISH ③	DWN DAVID LEE HOFFMAN 12/11/89	CHK D.L. HOFFMAN 8/17/92	APVD -	NAME -	tyco Electronics	Tyco Electronics Corporation Harrisburg, PA 17105-3608
MATERIAL ① ②			PRODUCT SPEC -	APPLICATION SPEC -	WEIGHT -	SIZE A1	CAGE CODE 00779	DRAWING NO 532924
CUSTOMER DRAWING			SCALE 4:1		SHEET 1 of 1		REV N	