

53408-1 Product Details



53408-1

TE Internal Number: 53408-1



Radiation Resistant/Pre-Insulated Terminals & Splices

Not EU RoHS or ELV Compliant ([Find RoHS Compliant Alternates](#))

Product Highlights:

- Terminal
- 1 & 2 Class
- Wire Range = 0.30-1.40² [22-16] mm [AWG]
- Wire/Cable Size = 509 - 3,260 CMA
- Body Style = PIDG

Documentation & Additional Information

Product Drawings:

- [TERMINAL, RING TONGUE, PVF2 , P.I.D.G. WIRE SIZE: 22...](#) (PDF, English)

Catalog Pages/Data Sheets:

- [RADIATION_RESISTANT_PRE-INSULATED_TERMINALS_SPLICES](#) (PDF, English)

Product Specifications:

- None Available

Application Specifications:

- None Available

Instruction Sheets:

- None Available

CAD Files: ([CAD Format & Compression Information](#))

- [2D Drawing](#) (DXF, Version L)
- [3D Model](#) (IGES, Version L)
- [3D Model](#) (STEP, Version L)

Additional Information:

- [Product Line Information](#)

Related Products:

- [Tooling](#)

Product Features (Please use the Product Drawing for all design activity)

Product Type Features:

- [Product Type](#) = Terminal
- [Wire Insulation Diameter \(mm \[in\]\)](#) = 3.18 [0.125]
- [Stud Size](#) = 8 [M4]
- [Finish](#) = Tin-Lead
- [Color Code](#) = Red
- [Insulation](#) = Yes

Termination Features:

- [Wire/Cable Size \(CMA\)](#) = 509 - 3,260

Body Features:

- [Wire Range \(mm \[AWG\]\)](#) = 0.30-1.40² [22-16]
- [Body Style](#) = PIDG
- [Tongue Material Thickness \(mm \[in\]\)](#) = 0.84 [0.033]
- [Body Material](#) = Copper
- [Insulation Sleeve Color](#) = Natural
- [Insulation Sleeve Material](#) = PVF2
- [Insulation Support Sleeve Material](#) = Copper

Contact Features:

- [Class](#) = 1 & 2

Industry Standards:

- [Government/Industry Qualification](#) = Yes
- [Government/Industry Part Number](#) = M7928/13-149, M7928/4-149
- [RoHS/ELV Compliance](#) = Not ELV/RoHS compliant
- [Lead Free Solder Processes](#) = Not relevant for lead free process

Packaging Features:

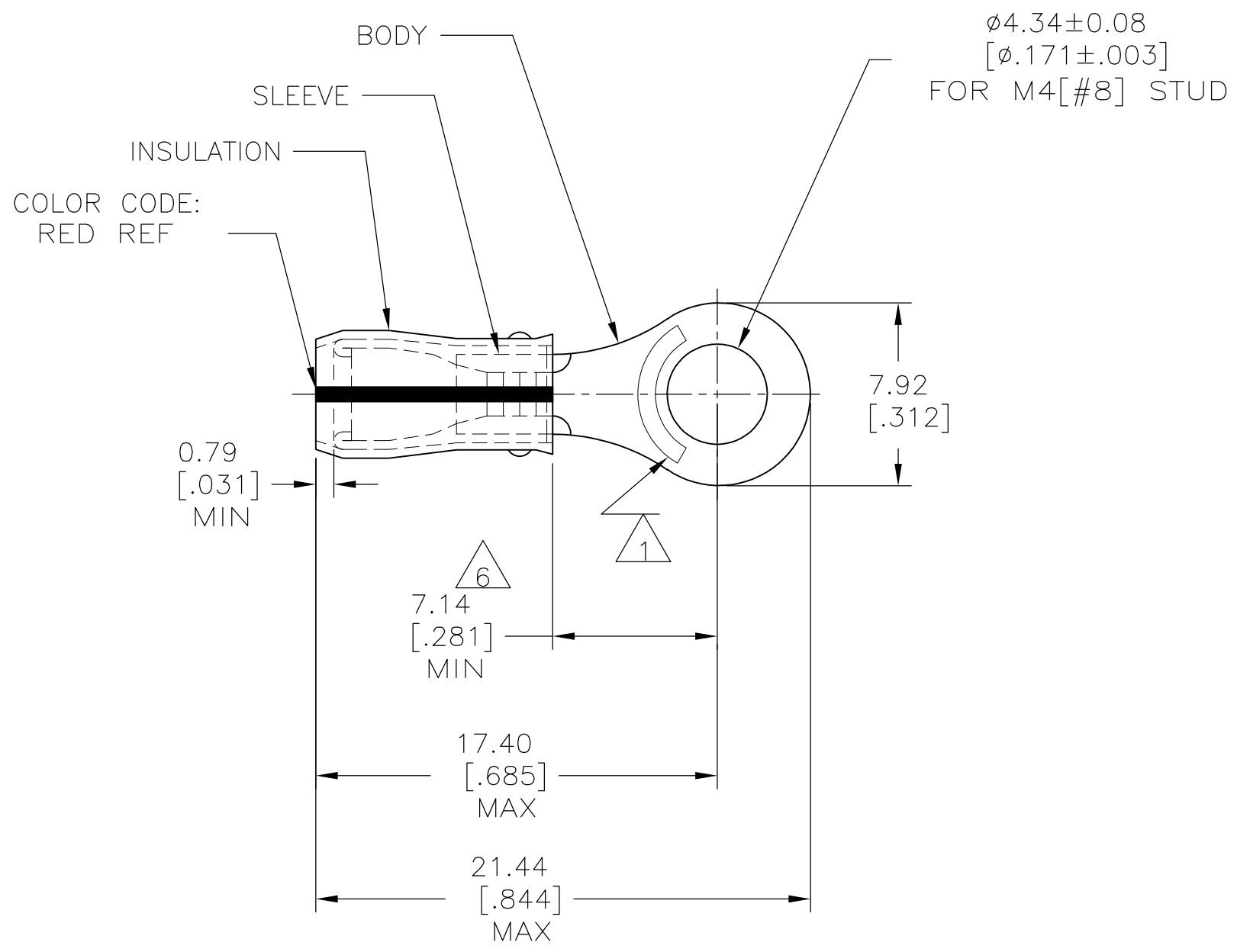
- [Packaging Method](#) = Loose Piece

Other:

- [Brand](#) = AMP

THIS DRAWING IS UNPUBLISHED. RELEASED FOR PUBLICATION
 © COPYRIGHT - By - ALL RIGHTS RESERVED.

LOC	DIST	REVISIONS					
		P	LTR	DESCRIPTION	DATE	DWN	APVD
G	14		L2	REVISED PER ECO-12-007718	07MAY12	KH	DR



- 1 STAMP AMP 22-18* APPROX AS SHOWN
22-16 TERMINALS ARE STAMPED 22-18 IN ACCORDANCE WITH MILITARY SPEC SAE AS7928
COMMERCIAL WIRE RANGE IS 22-16.
- 2 WIRE INSULATION DIA: 2.03-3.18 [.080-.125]
- 3 TONGUE MATERIAL THK: 0.79±0.05 [.031±.002]
- 4 BODY & SLEEVE: TIN/LEAD (93-7) PLATE PER ASTM B545, (3% MIN LEAD CONTENT)
- 5 BODY & SLEEVE- CU PER ASTM B152
INSULATION - PVF2, COLOR - NATURAL
- 6 DIMENSION APPLIES FROM EDGE OF METAL WIRE BARREL TO CENTER OF STUD HOLE.

MILITARY P/N & CLASS	QTY	PACKAGE TYPE	PART NO.
-	100	LOOSE PIECE, BOX	8-53408-1
M7928/4-149, CLASS 2	5000	ON TAPE, REEL	53408-2
M7928/4-149, CLASS 1 & 2 M7928/13-149, CLASS 1 & 2	1000	LOOSE PIECE	53408-1

**AMP INCORPORATED
CUSTOMER SERVICE SYSTEMS**

FOR ADDITIONAL PRODUCT INFORMATION OR COPIES OF DRAWINGS AND TECHNICAL DOCUMENTS
 PRODUCT INFORMATION CENTER
 1-800-522-6752

FOR APPLICATION TOOLING INFORMATION
 TOOLING ASSISTANCE CENTER
 1-800-722-1111

FOR ORDER ENTRY
 1-800-526-5142

MAX RECOMMENDED OPERATING TEMPERATURE:
150°C[302°F] MAX

VOLTAGE RATING:
N/A

CIRCULAR MIL AREA:
0.26-1.65mm²[509-3260] STRANDED

THIS DRAWING IS A CONTROLLED DOCUMENT.

DIMENSIONS: mm [INCHES]

TOLERANCES UNLESS OTHERWISE SPECIFIED:

0 PLC	± -
1 PLC	± -
2 PLC	± 0.20[.008]
3 PLC	± -
4 PLC	± -
ANGLES	± -

MATERIAL: - 5 FINISH: - 4

DWN DK SCHRUM 06/16/93
 CHK RE HERSEY 7/6/93
 APVD M ELLIS 7/6/93

STE TE Connectivity

NAME: TERMINAL, RING TONGUE, PVF2, P.I.D.G. WIRE SIZE: 22-16 AWG

APPLICATION SPEC: NOT AVAILABLE

SIZE: A3 CAGE CODE: 00779 DRAWING NO: C-53408 RESTRICTED TO: -

WEIGHT: -

CUSTOMER DRAWING SCALE: 4:1 SHEET: 1 OF 1 REV: L2