

Distributed by:

JAMECO[®]
ELECTRONICS

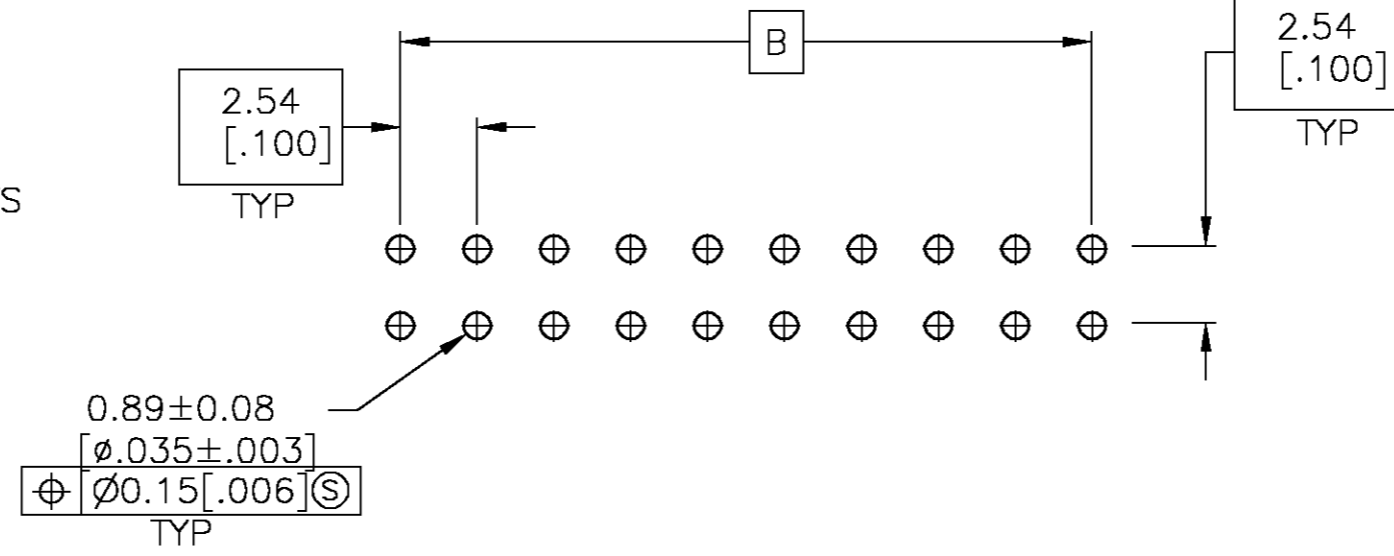
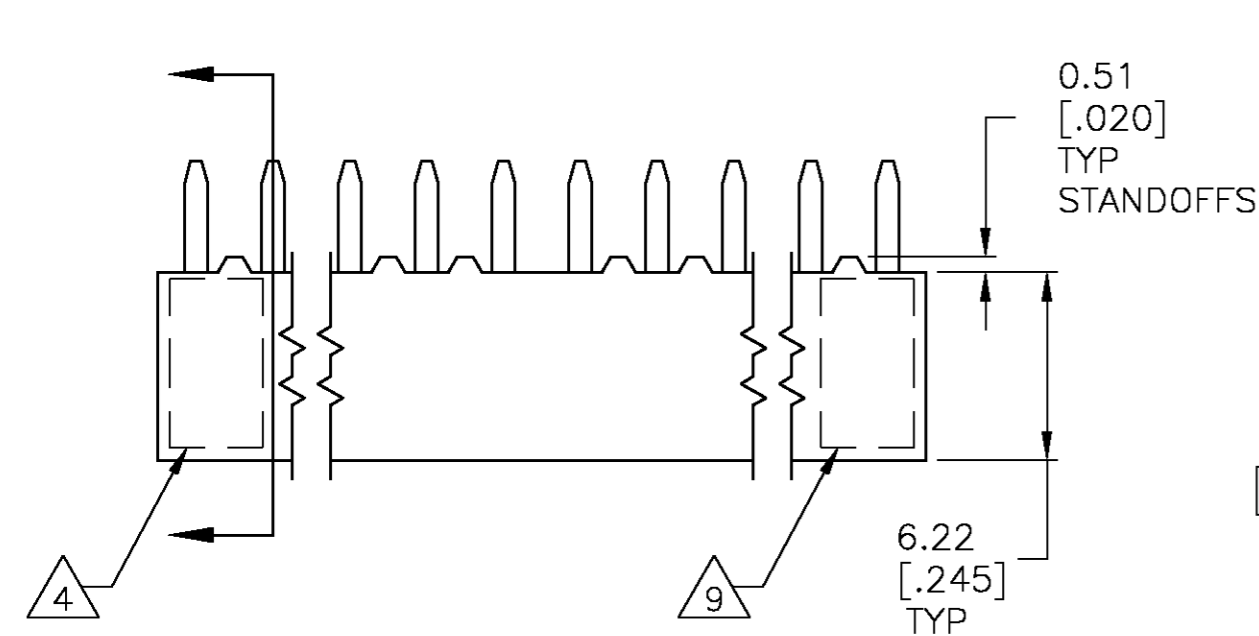
www.Jameco.com ♦ 1-800-831-4242

The content and copyrights of the attached
material are the property of its owner.

Jameco Part Number 851391

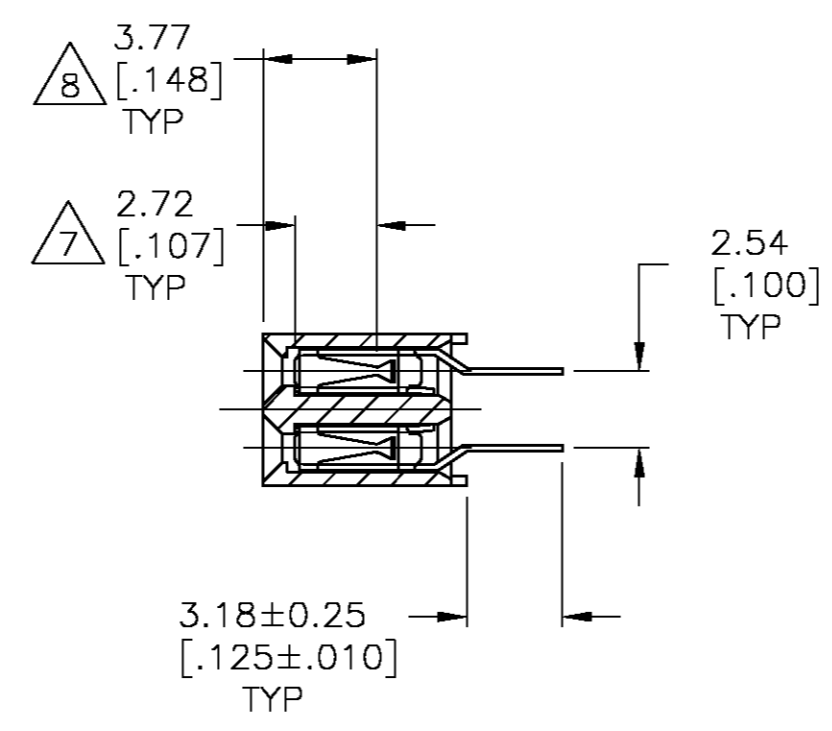
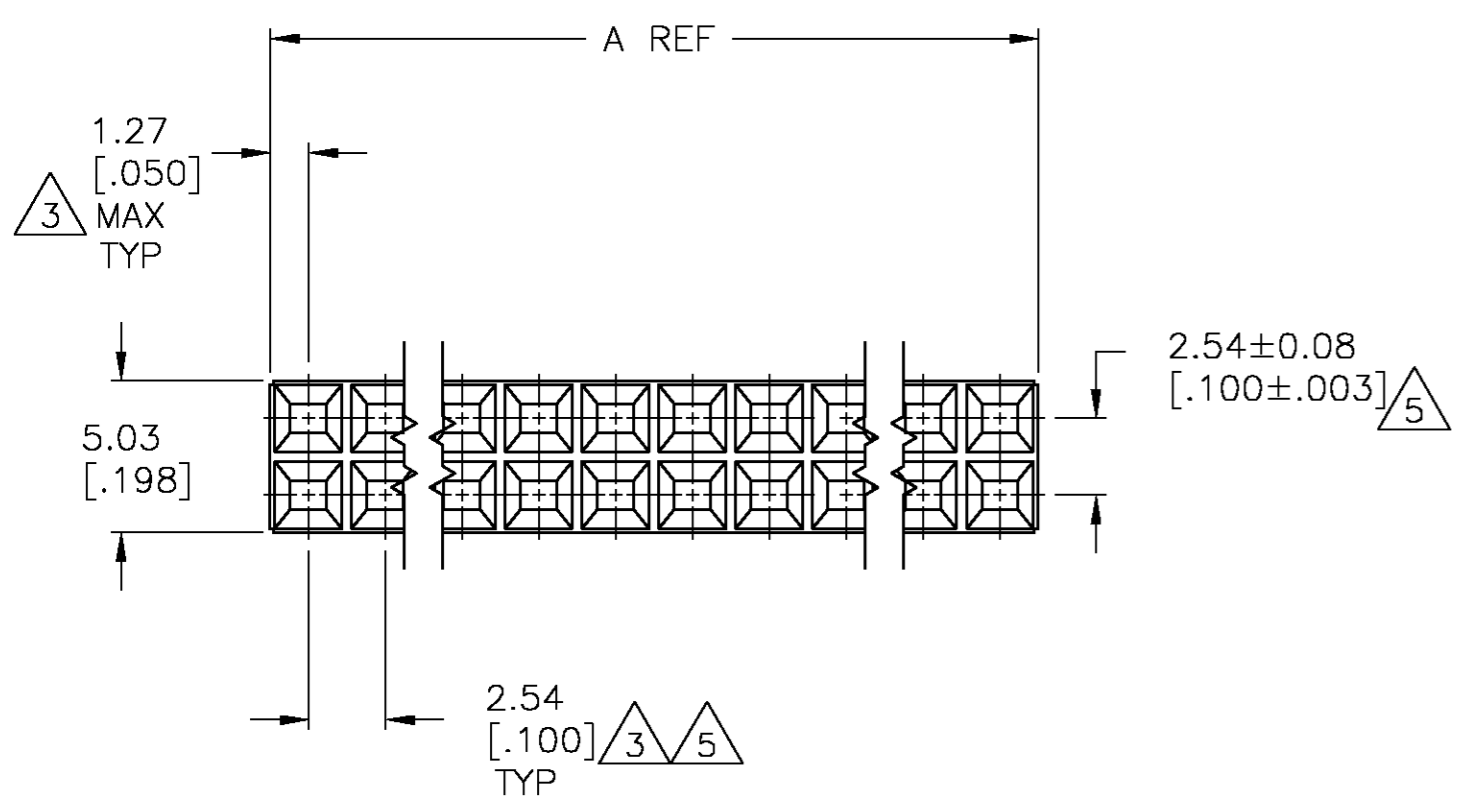
THIS DRAWING IS UNPUBLISHED. RELEASED FOR PUBLICATION
 © COPYRIGHT BY TYCO ELECTRONICS CORPORATION. ALL RIGHTS RESERVED.

Loc		DIST		REVISIONS			
P	LTR	DESCRIPTION		DATE	DWN	APVD	
AD	00	P		REV PER 0G3C-0452-04	10NOV04	JR	JO



RECOMMENDED PC BOARD HOLE PATTERN
 PC BOARD THICKNESS 1.57[.062]

SEE SHEET 2
 FOR P/N'S -51 THRU -90



2	99.06[3.900]	101.60[4.000]	80	4-534998-0
2	96.52[3.800]	99.06[3.900]	78	3-534998-9
2	93.98[3.700]	96.52[3.800]	76	3-534998-8
2	91.44[3.600]	93.98[3.700]	74	3-534998-7
2	88.90[3.500]	91.44[3.600]	72	3-534998-6
2	86.36[3.400]	88.90[3.500]	70	3-534998-5
2	83.82[3.300]	86.36[3.400]	68	3-534998-4
2	81.28[3.200]	83.82[3.300]	66	3-534998-3
2	78.74[3.100]	81.28[3.200]	64	3-534998-2
2	76.20[3.000]	78.74[3.100]	62	3-534998-1
2	73.66[2.900]	76.20[3.000]	60	3-534998-0
2	71.12[2.800]	73.66[2.900]	58	2-534998-9
2	68.58[2.700]	71.12[2.800]	56	2-534998-8
2	66.04[2.600]	68.58[2.700]	54	2-534998-7
2	63.50[2.500]	66.04[2.600]	52	2-534998-6
2	60.96[2.400]	63.50[2.500]	50	2-534998-5
2	58.42[2.300]	60.96[2.400]	48	2-534998-4
2	55.88[2.200]	58.42[2.300]	46	2-534998-3
2	53.34[2.100]	55.88[2.200]	44	2-534998-2
2	50.80[2.000]	53.34[2.100]	42	2-534998-1
2	48.26[1.900]	50.80[2.000]	40	2-534998-0
2	45.72[1.800]	48.26[1.900]	38	1-534998-9
2	43.18[1.700]	45.72[1.800]	36	1-534998-8
2	40.64[1.600]	43.18[1.700]	34	1-534998-7
2	38.10[1.500]	40.64[1.600]	32	1-534998-6
2	35.56[1.400]	38.10[1.500]	30	1-534998-5
2	33.02[1.300]	35.56[1.400]	28	1-534998-4
2	30.48[1.200]	33.02[1.300]	26	1-534998-3
2	27.94[1.100]	30.48[1.200]	24	1-534998-2
2	25.40[1.000]	27.94[1.100]	22	1-534998-1
2	22.86[.900]	25.40[1.000]	20	1-534998-0
2	20.32[.800]	22.86[.900]	18	534998-9
2	17.78[.700]	20.32[.800]	16	534998-8
2	15.24[.600]	17.78[.700]	14	534998-7
2	12.70[.500]	15.24[.600]	12	534998-6
2	10.16[.400]	12.70[.500]	10	534998-5
2	7.62[.300]	10.16[.400]	8	534998-4
2	5.08[.200]	7.62[.300]	6	534998-3
2	2.54[.100]	5.08[.200]	4	534998-2
2	-	2.54[.100]	2	534998-1


- 1 HOUSING: FLAME RETARDANT, GLASS FILLED, THERMOPLASTIC, COLOR: BLACK. CONTACT: PHOSPHOR BRONZE
- 2 CONTACT: DUPLEX PLATED 0.76µm[.000030] GOLD IN CONTACT AREA, 3.81-7.62µm[.000150-.000300] BRIGHT TIN-LEAD ON LEADS, ALL OVER 1.27µm[.000050] NICKEL
- 3 THESE DIMENSIONS PERTAIN TO CAVITY CENTERLINES ONLY - NOT TO CONTACT LOCATIONS
- 4 PART NUMBER AND DATE CODE ARE MARKED IN APPROXIMATE LOCATION SHOWN.
- 5 TOLERANCE IS NON-CUMULATIVE.
- 6 2 POSITION DATE CODE IS MARKED OPPOSITE SIDE OF TYCO LOGO.
- 7 POINT-OF-MEASUREMENT DIMENSION FOR PLATING THICKNESS (INSIDE CONTACT BEAM).
- 8 POINT-OF-CONTACT DIMENSION.
- 9 TYCO TRADEMARK AND CSA LOGO ARE MOLDED INTO HOUSING, THIS LOCATION.
- 10 NO PART NUMBER MARKING REQUIRED FOR THIS PART.
- 11 CONTACT: DUPLEX PLATED 0.76µm[.000030] GOLD IN CONTACT AREA, 3.81-7.62µm[.000150-.000300] MATTE TIN ON LEADS, ALL OVER 1.27µm[.000050] NICKEL
- 12 PRELIMINARY - NOT FOR PRODUCTION

THIS DRAWING IS A CONTROLLED DOCUMENT.		DWN M.BINNER 06NOV2002	Tyco Electronics Corporation Harrisburg, PA 17105	
DIMENSIONS: MM [INCHES]		CHK J.OLSON 06NOV02		
TOLERANCES UNLESS OTHERWISE SPECIFIED:		APVD J.OLSON 06NOV02	NAME	
0 PLC ± -		PRODUCT SPEC 108-25022	RECEPTACLE ASSEMBLY, MOD IV, DOUBLE ROW, DUAL ENTRY, .100X.100CL, VERTICAL MOUNT, AMPMODU	
1 PLC ± -		APPLICATION SPEC 114-25018	SIZE A2	CAGE CODE 00779
2 PLC ± 0.13[.005]		WEIGHT -	DRAWING NO C=534998	RESTRICTED TO -
3 PLC ± -		CUSTOMER DRAWING		
4 PLC ± -		SCALE 4:1 SHEET 1 OF 2 REV P		
ANGLES ± -				
FINISH				

THIS DRAWING IS UNPUBLISHED. RELEASED FOR PUBLICATION
 © COPYRIGHT BY TYCO ELECTRONICS CORPORATION. ALL RIGHTS RESERVED.

LOC	DIST	REVISIONS					
AD	00	P	LTR	DESCRIPTION	DATE	DWN	APVD
		-		SEE SHEET 1	-	-	-

	B	A	NO OF POSN	PART NUMBER
$\frac{12}{11}$	99.06[3.900]	101.60[4.000]	80	9-534998-0
$\frac{12}{11}$	96.52[3.800]	99.06[3.900]	78	8-534998-9
$\frac{12}{11}$	93.98[3.700]	96.52[3.800]	76	8-534998-8
$\frac{12}{11}$	91.44[3.600]	93.98[3.700]	74	8-534998-7
$\frac{12}{11}$	88.90[3.500]	91.44[3.600]	72	8-534998-6
$\frac{12}{11}$	86.36[3.400]	88.90[3.500]	70	8-534998-5
$\frac{12}{11}$	83.82[3.300]	86.36[3.400]	68	8-534998-4
$\frac{12}{11}$	81.28[3.200]	83.82[3.300]	66	8-534998-3
$\frac{12}{11}$	78.74[3.100]	81.28[3.200]	64	8-534998-2
$\frac{12}{11}$	76.20[3.000]	78.74[3.100]	62	8-534998-1
$\frac{12}{11}$	73.66[2.900]	76.20[3.000]	60	8-534998-0
$\frac{12}{11}$	71.12[2.800]	73.66[2.900]	58	7-534998-9
$\frac{12}{11}$	68.58[2.700]	71.12[2.800]	56	7-534998-8
$\frac{12}{11}$	66.04[2.600]	68.58[2.700]	54	7-534998-7
$\frac{12}{11}$	63.50[2.500]	66.04[2.600]	52	7-534998-6
$\frac{12}{11}$	60.96[2.400]	63.50[2.500]	50	7-534998-5
$\frac{12}{11}$	58.42[2.300]	60.96[2.400]	48	7-534998-4
$\frac{12}{11}$	55.88[2.200]	58.42[2.300]	46	7-534998-3
$\frac{12}{11}$	53.34[2.100]	55.88[2.200]	44	7-534998-2
$\frac{12}{11}$	50.80[2.000]	53.34[2.100]	42	7-534998-1
$\frac{12}{11}$	48.26[1.900]	50.80[2.000]	40	7-534998-0
$\frac{12}{11}$	45.72[1.800]	48.26[1.900]	38	6-534998-9
$\frac{12}{11}$	43.18[1.700]	45.72[1.800]	36	6-534998-8
$\frac{12}{11}$	40.64[1.600]	43.18[1.700]	34	6-534998-7
$\frac{12}{11}$	38.10[1.500]	40.64[1.600]	32	6-534998-6
$\frac{12}{11}$	35.56[1.400]	38.10[1.500]	30	6-534998-5
$\frac{12}{11}$	33.02[1.300]	35.56[1.400]	28	6-534998-4
$\frac{12}{11}$	30.48[1.200]	33.02[1.300]	26	6-534998-3
$\frac{12}{11}$	27.94[1.100]	30.48[1.200]	24	6-534998-2
$\frac{12}{11}$	25.40[1.000]	27.94[1.100]	22	6-534998-1
$\frac{12}{11}$	22.86[.900]	25.40[1.000]	20	6-534998-0
$\frac{12}{11}$	20.32[.800]	22.86[.900]	18	5-534998-9
$\frac{12}{11}$	17.78[.700]	20.32[.800]	16	5-534998-8
$\frac{12}{11}$	15.24[.600]	17.78[.700]	14	5-534998-7
$\frac{12}{11}$	12.70[.500]	15.24[.600]	12	5-534998-6
$\frac{12}{11}$	10.16[.400]	12.70[.500]	10	5-534998-5
$\frac{12}{11}$	7.62[.300]	10.16[.400]	8	5-534998-4
$\frac{12}{11}$	5.08[.200]	7.62[.300]	6	5-534998-3
$\frac{12}{11}$	2.54[.100]	5.08[.200]	4	5-534998-2
$\frac{12}{11}$	-	2.54[.100]	2	$\frac{6}{6}$ 5-534998-1

THIS DRAWING IS A CONTROLLED DOCUMENT.		DWN M.BINNER 06NOV2002	 Tyco Electronics Corporation Harrisburg, PA 17105	
DIMENSIONS: MM [INCHES]		CHK J.OLSON 06NOV02		
TOLERANCES UNLESS OTHERWISE SPECIFIED:		APVD J.OLSON 06NOV02	NAME	
0 PLC ± - 1 PLC ± - 2 PLC ± 0.13[.005] 3 PLC ± - 4 PLC ± - ANGLES ± - FINISH		PRODUCT SPEC 108-25022	RECEPTACLE ASSEMBLY, MOD IV, DOUBLE ROW, DUAL ENTRY, .100X.100CL, VERTICAL MOUNT, AMPMODU	
MATERIAL $\frac{1}{1}$		APPLICATION SPEC 114-25018	SIZE A2	RESTRICTED TO -
		WEIGHT -	CAGE CODE 00779	DRAWING NO C=534998
		CUSTOMER DRAWING	SCALE 4:1	SHEET 2 OF 2 REV P