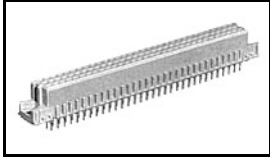


## 535032-4 Product Details

[Share](#) [Print](#) [Email](#)



**535032-4**

TE Internal Number: 535032-4

 Active

[View 3D PDF](#)

### Eurocard Type C

Not EU RoHS or ELV Compliant (Find RoHS Compliant Alternates)

### Product Highlights:

- Eurocard Product Line
- Product Series = Type C
- Connector Assembly
- Connector Style = Receptacle
- Board-to-Board

[View all Features](#)

### Quick Links

- ▶ [Pricing & Availability](#)
- ▶ [Search for Tooling](#)
- ▶ [Product Feature Selector](#)
- ▶ [Contact Us About This Product](#)

[Add to My Part List](#)

[Request Sample](#)

[Find Similar Products](#)

[Buy Product](#)

### Documentation & Additional Information

#### Product Drawings:

- [ASSEMBLY, RECEPTACLE, EUROCARD, TOOLLESS PRESSFIT, 9...](#) (PDF, English)

#### Catalog Pages/Data Sheets:

- None Available

#### Product Specifications:

- None Available

#### Application Specifications:

- [Eurocard Connectors Types B,C,M,Q,R, & Enhanced Typ...](#) (PDF, English)

#### Instruction Sheets:

- None Available

#### CAD Files: (CAD Format & Compression Information)

- [2D Drawing](#) (DXF, Version AB)
- [3D Model](#) (IGES, Version AB)
- [3D Model](#) (STEP, Version AB)

[List all Documents](#)

#### Additional Information:

- [Product Line Information](#)

#### Related Products:

- [Tooling](#)

### Product Features (Please use the Product Drawing for all design activity)

#### Product Type Features:

- Product Line = Eurocard
- Product Series = Type C
- Connector Type = Connector Assembly
- [PCB Mount Retention](#) = With
- [PCB Mount Retention Type](#) = Action/Compliant Tail
- [PCB Mounting Orientation](#) = Vertical
- Termination Method to PC Board = Through Hole - Press Fit
- [Size](#) = Standard
- [Make First / Break Last](#) = No
- [Bus Type](#) = FUTUREBUS, MULTIBUS (II), NUBUS, VMEbus, VXIBus
- [DIN Level](#) = II

#### Electrical Characteristics:

- [Contact - Rated Current \(A\)](#) = 1.5

#### Housing Features:

- [Connector Style](#) = Receptacle
- [Centerline \(mm \[in\]\)](#) = 2.54 [0.100]
- [Mating Alignment](#) = With
- [Mating Alignment Type](#) = Polarization
- [Housing Material](#) = Glass Filled Polyester
- [UL Flammability Rating](#) = UL 94V-0

#### Configuration Features:

- [Number of Rows](#) = 3
- [Number of Positions](#) = 96
- [Rows Loaded](#) = A, B, C

#### Industry Standards:

- [RoHS/ELV Compliance](#) = Not ELV/RoHS compliant
- [Lead Free Solder Processes](#) = Not relevant for lead free process

**Termination Features:**

- Termination Post Length (mm [in]) = 4.83 [0.190]

**Dimensions:**

- PCB Thickness (Minimum) (mm [in]) = 1.57 [0.062]

**Contact Features:**

- Contact Type = Socket
- Contact Base Material = Phosphor Bronze
- Contact Plating, Termination Area, Material = Gold Flash over Nickel
- Contact Cross Section (mm [in]) = 0.30 x 0.61 [0.012 x .024]

**Conditions for Usage:**

- Applies To = Printed Circuit Board

**Operation/Application:**

- Application Use = Board-to-Board
- Contact Transmits (Typical Application) = Signal (Data)

**Other:**

- Brand = AMP

**Corporate Information**

[About TE](#)  
[Investors](#)  
[News Room](#)  
[Supplier Portal](#)  
[Careers](#)  
[Terms & Conditions](#)  
[Privacy Policy](#)

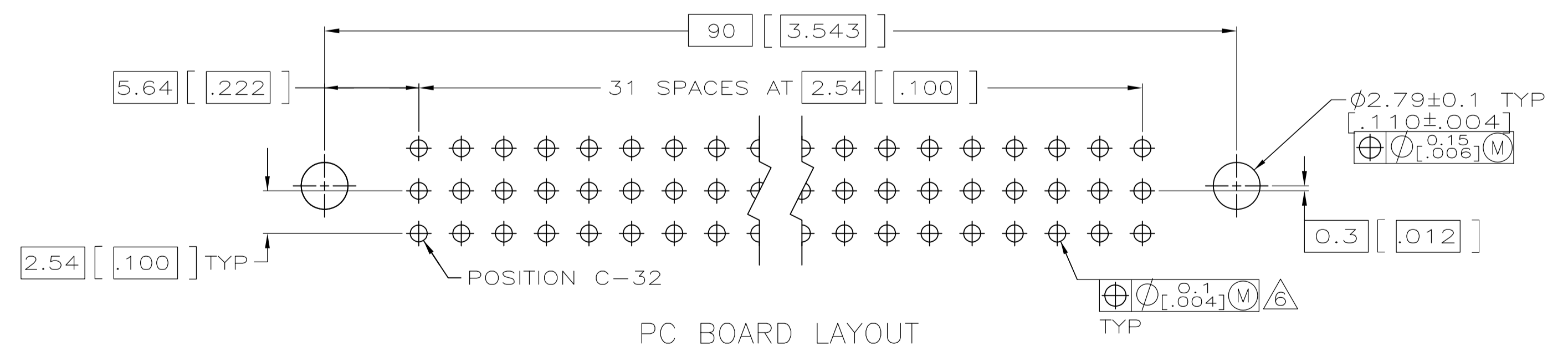
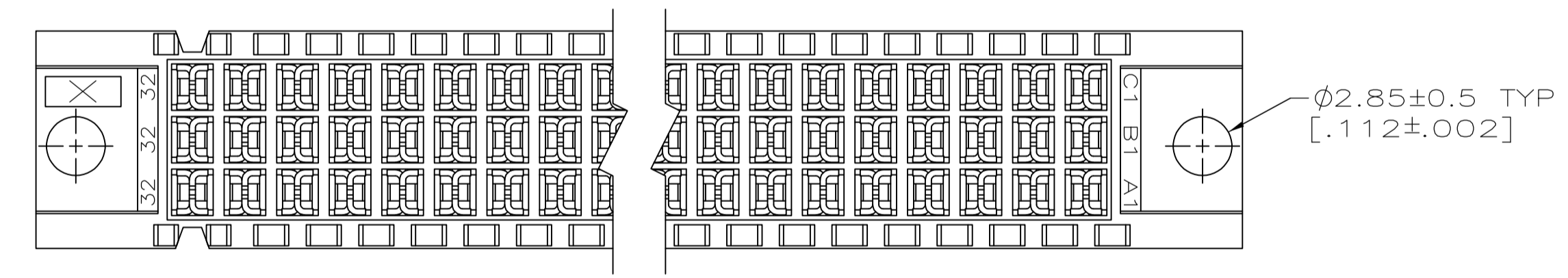
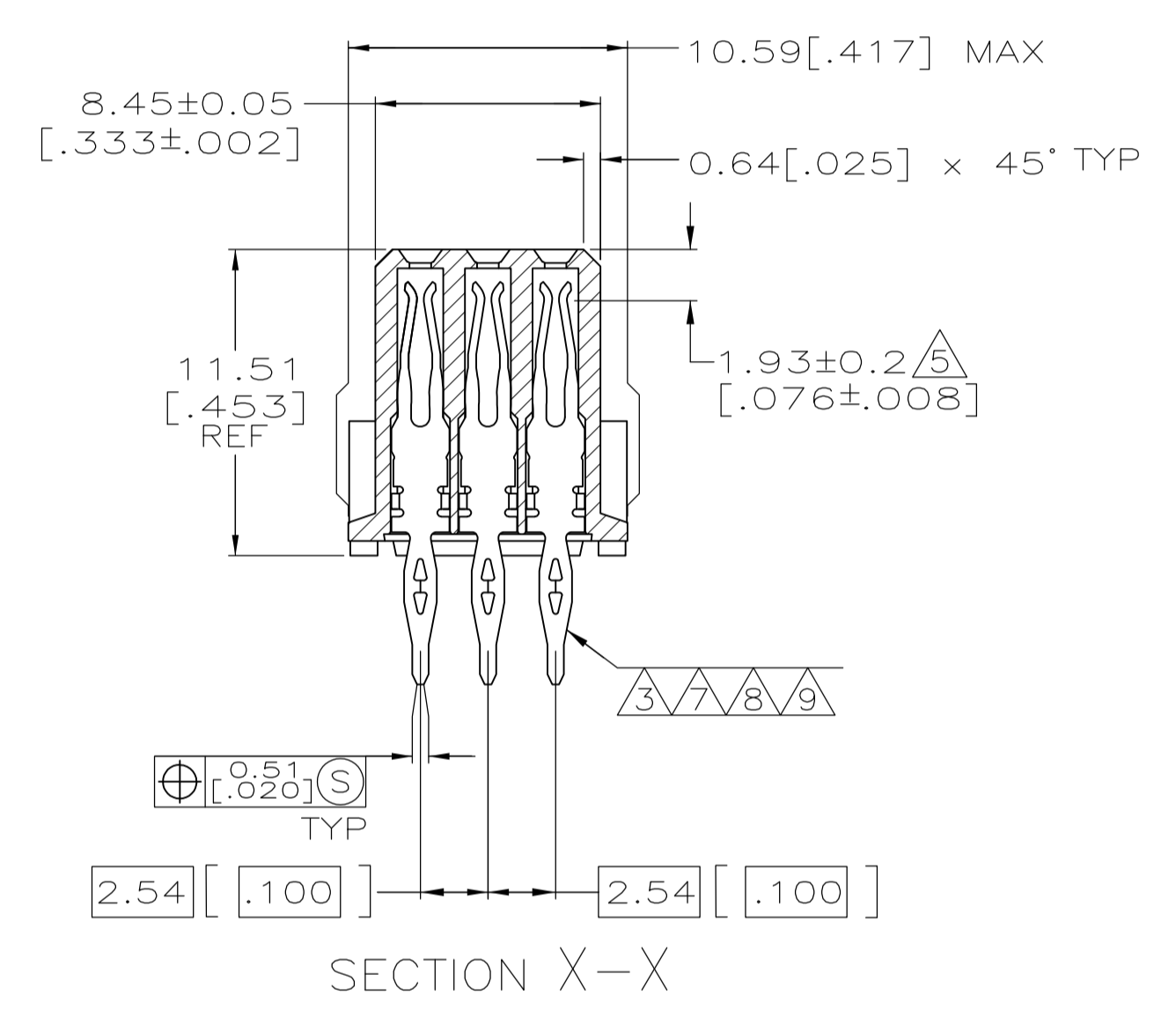
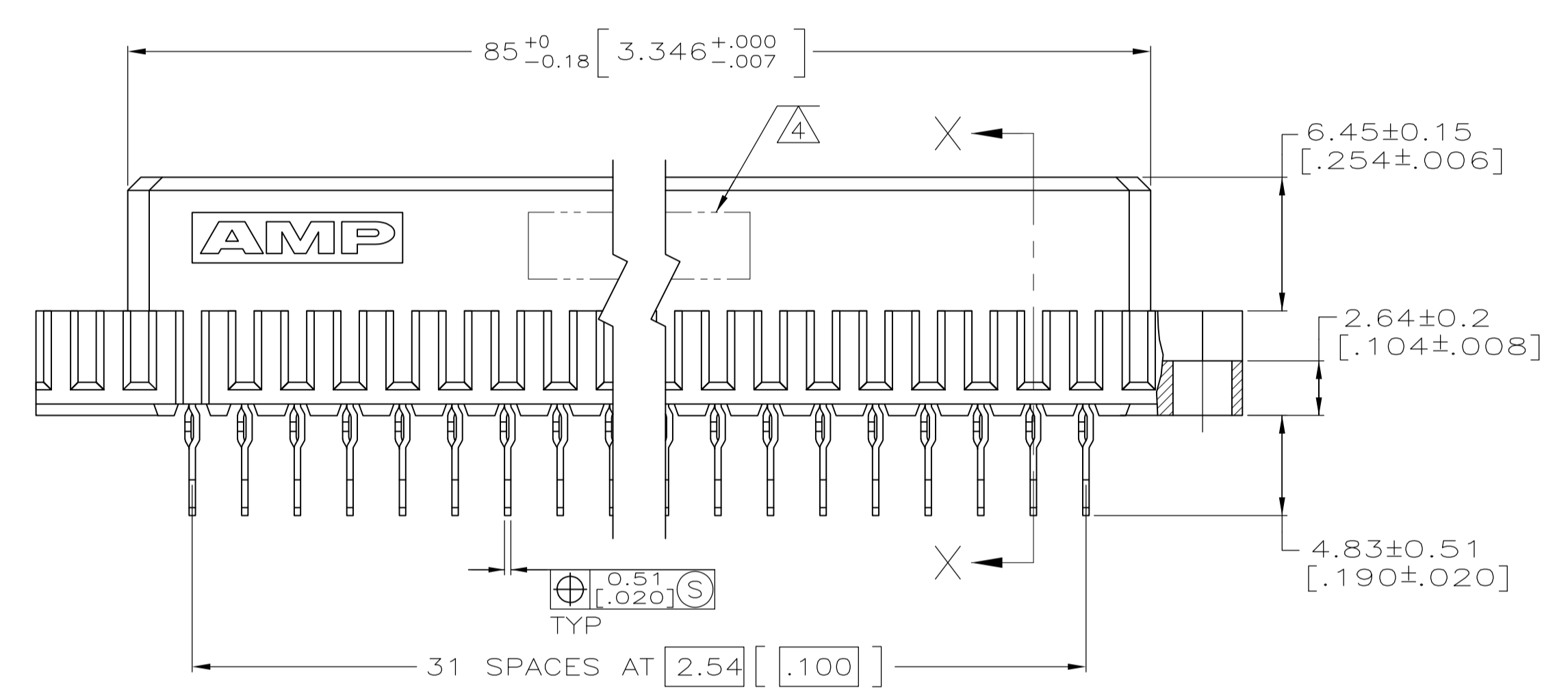
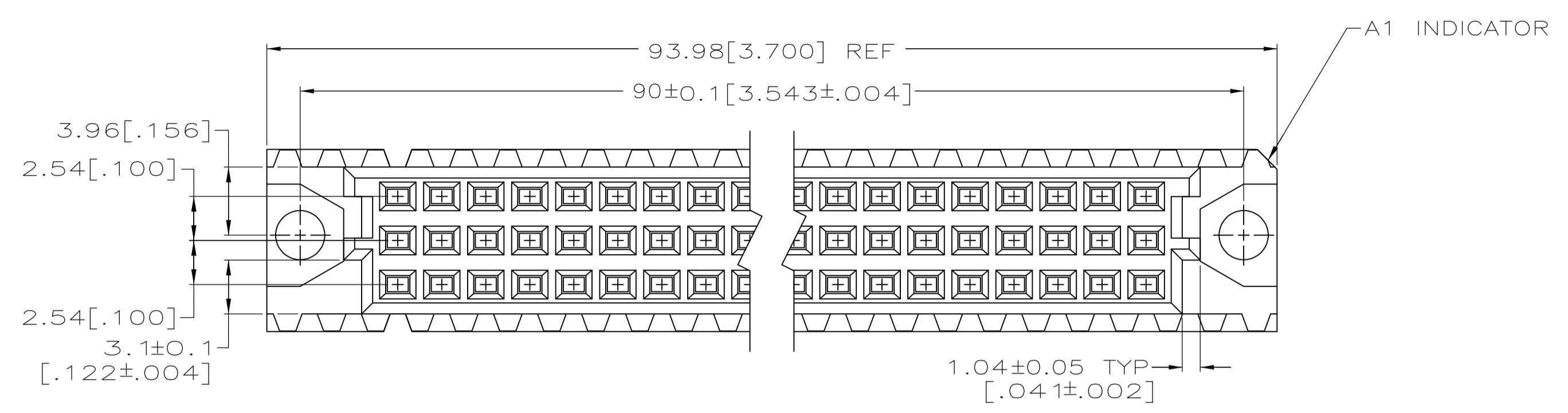
**Quick Links**

[Distributor Inventory](#)  
[Product Cross Reference](#)  
[Documents & Drawings](#)  
[Product Compliance Support Center](#)  
[Site Map](#)

**Customer Support**

[Email or Chat With Us](#)  
[Find a Phone Number](#)  
[Knowledge Base](#)  
[Manage Your Account](#)

**Keep Me Informed**



- 1 HOUSING MATERIAL: GLASS-FILLED POLYESTER. COLOR: GRAY.
- 2 CONTACT MATERIAL: PHOSPHOR BRONZE.
- 3 CONTACT FINISH: DIN 41612 CLASS 2 IN CONTACT AREA. TIN ON POSTS.
- 4 PART NUMBER, DATE CODE IDENTIFICATION, CSA LOGO IN THIS APPROXIMATE AREA.
- 5 POINT OF MEASUREMENT FOR GOLD.
- 6 ACTION PIN POSTS REQUIRE 1.57 [.062] MINIMUM THICK PC BOARD. RECOMMENDED PC BOARD HOLES ARE Ø1.151 ± 0.02 [.0453 ± .001] DRILLED HOLE WITH 0.02-0.07 [.001-.003] COPPER AND 0.008 [.0003] MINIMUM TIN-LEAD PLATING. FINISHED HOLE AFTER PLATING, Ø0.94-1.09 [.037-.043].
- 7 CONTACT FINISH: 0.00127 [.000050] GOLD IN CONTACT AREA. 0.00127 [.000050] NICKEL UNDERPLATE ALL OVER. TIN-LEAD ON POSTS.
- 8 CONTACT FINISH: DIN 41612 CLASS 3 IN CONTACT AREA. TIN-LEAD ON POSTS.
- 9 CONTACT FINISH: DIN 41612 CLASS 2 IN CONTACT AREA. TIN-LEAD ON POSTS.

SUPERSEDED BY: 5535032-4	3	1 THRU 32	X	X	X	96	7-535032-4
	8	1 THRU 32	X	X	X	96	535032-9
	9	1 THRU 32	X	X	X	96	535032-5
	9	1 THRU 32	X	X	X	96	535032-4
	7	1 THRU 32	X	X	X	96	535032-1
NOTES	POSITIONS LOADED	C	B	A	NO. OF LOADED POSITION	ASSY PART NUMBER	

THIS DRAWING IS A CONTROLLED DOCUMENT. DIN L. BRINER 12/6/88  
CHK: J. BROWN 2/27/89

DIMENSIONS: mm [INCHES]	TOLERANCES UNLESS OTHERWISE SPECIFIED:	PRODUCT SPEC	NAME
0 PLC ± -	1 PLC ± -	APPLICATION SPEC	ASSEMBLY, RECEPTACLE, EUROCARD, TOOLLESS PRESSFIT, 96 POSITION
2 PLC ± 0.13 [.005]	3 PLC ± -	WEIGHT	SIZE: A1
4 PLC ± -	ANGLES ± -	CUSTOMER DRAWING	SCALE: 4:1

STE TE Connectivity  
ASSEMBLY, RECEPTACLE, EUROCARD, TOOLLESS PRESSFIT, 96 POSITION  
DRAWING NO: 00779  
SHEET 1 OF 1  
REV R1