

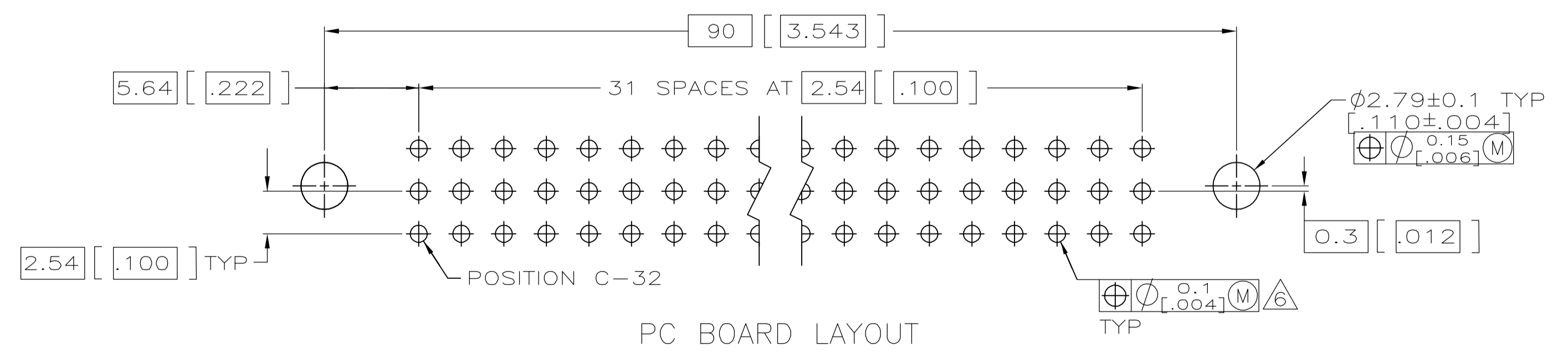
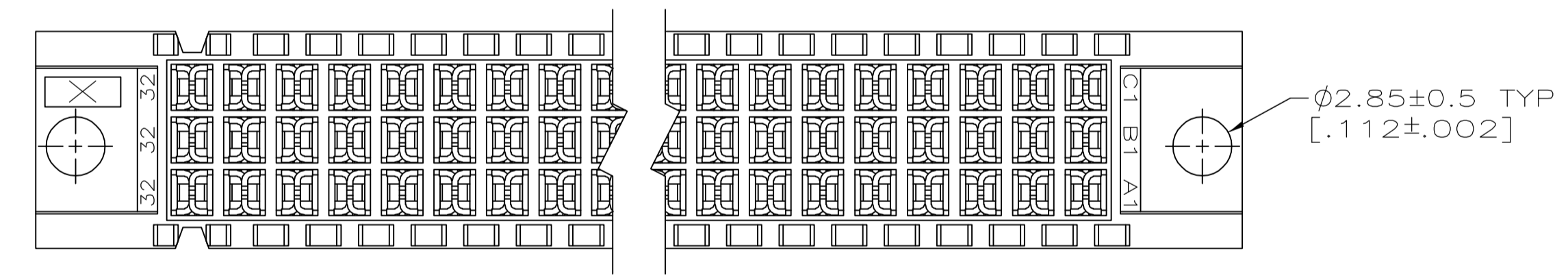
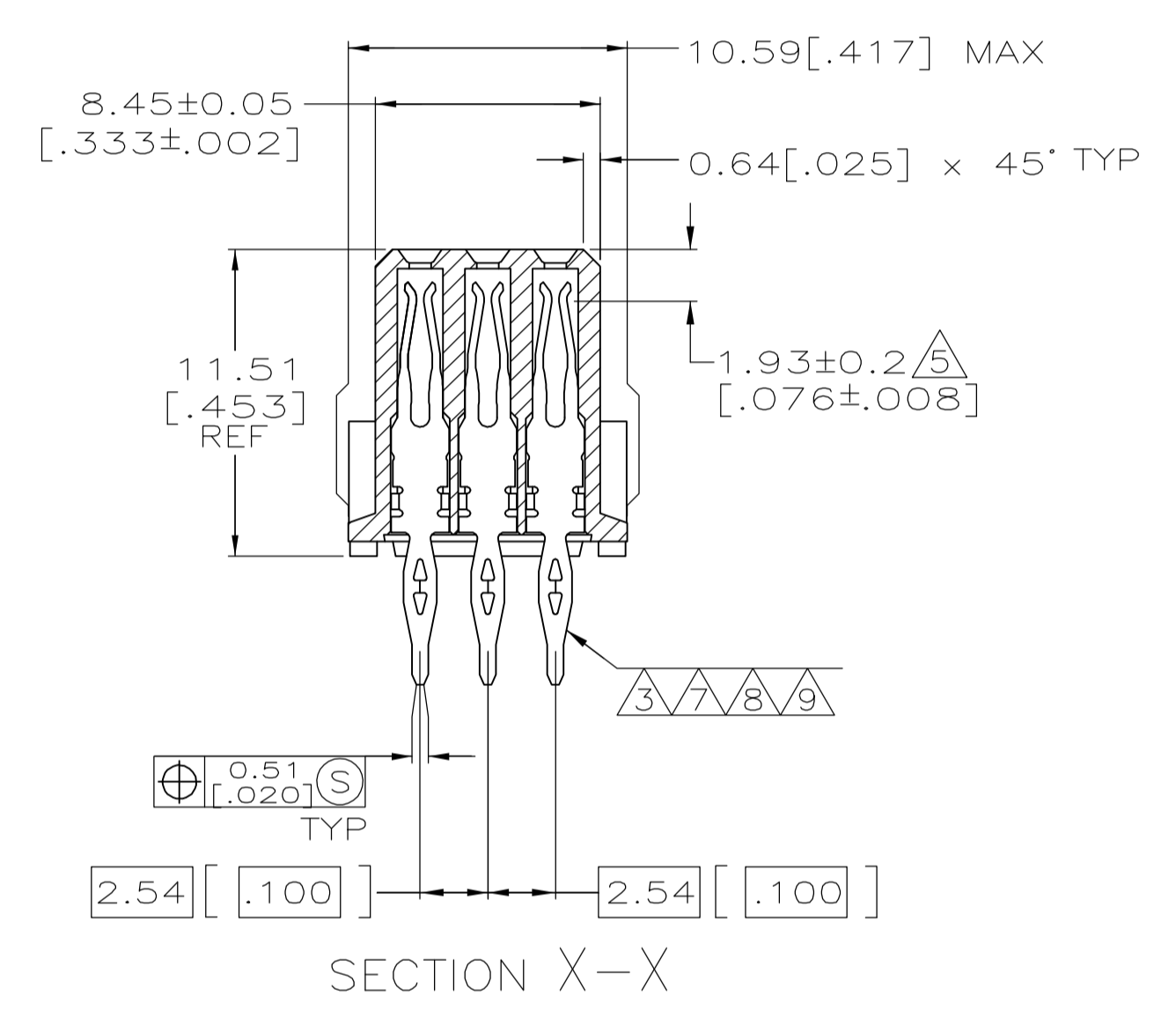
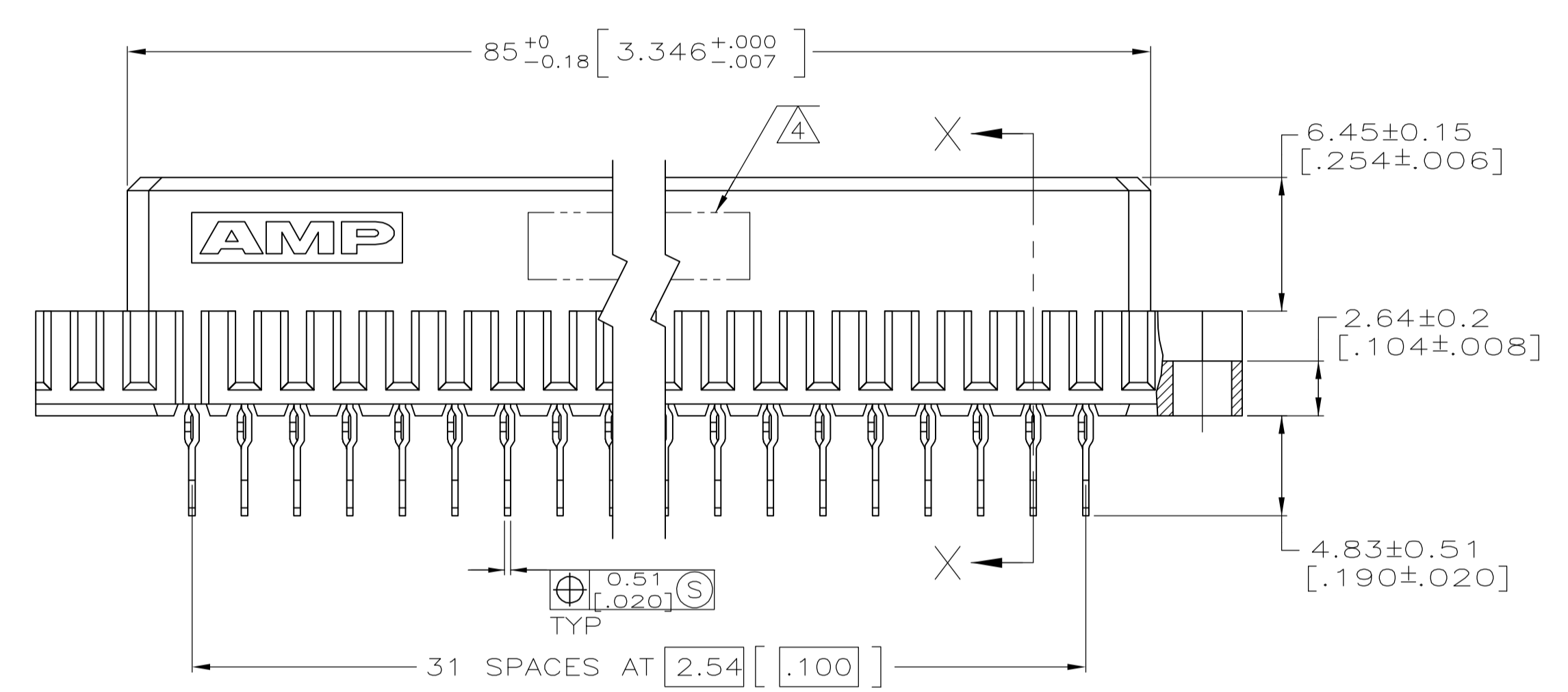
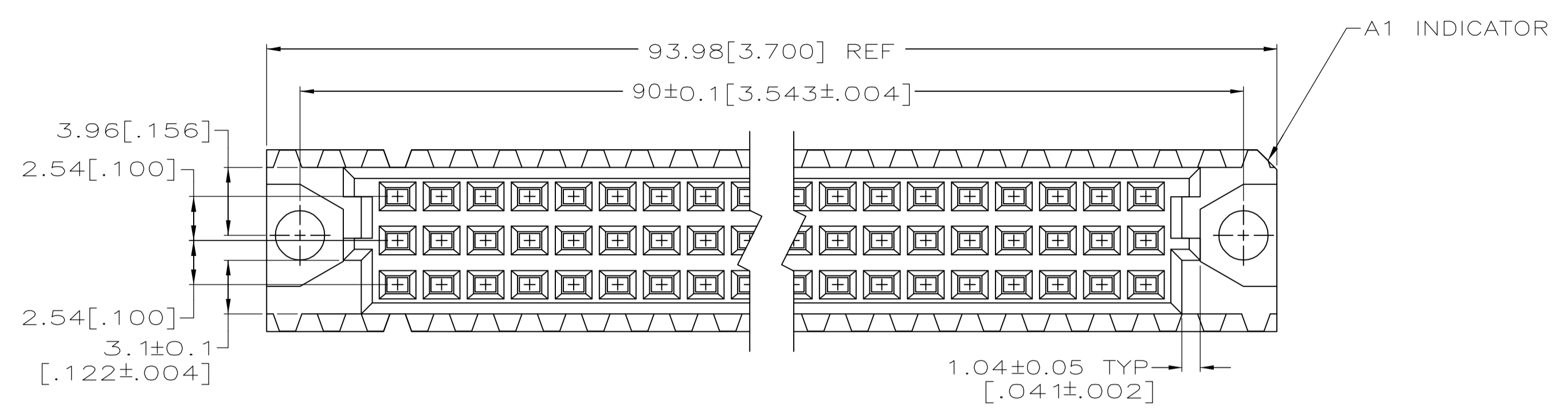
Distributed by:

JAMECO[®]
ELECTRONICS

www.Jameco.com ♦ 1-800-831-4242

The content and copyrights of the attached
material are the property of its owner.

Jameco Part Number 851471



- 1 HOUSING MATERIAL: GLASS-FILLED POLYESTER. COLOR: GRAY.
- 2 CONTACT MATERIAL: PHOSPHOR BRONZE.
- 3 CONTACT FINISH: DIN 41612 CLASS 2 IN CONTACT AREA. TIN ON POSTS.
- 4 PART NUMBER, DATE CODE IDENTIFICATION, CSA LOGO IN THIS APPROXIMATE AREA.
- 5 POINT OF MEASUREMENT FOR GOLD.
- 6 ACTION PIN POSTS REQUIRE 1.57 [.062] MINIMUM THICK PC BOARD. RECOMMENDED PC BOARD HOLES ARE Ø1.151 ± 0.02 [.0453 ± .001] DRILLED HOLE WITH 0.02-0.07 [.001-.003] COPPER AND 0.008 [.0003] MINIMUM TIN-LEAD PLATING. FINISHED HOLE AFTER PLATING, Ø0.94-1.09 [.037-.043].
- 7 CONTACT FINISH: 0.00127 [.000050] GOLD IN CONTACT AREA. 0.00127 [.000050] NICKEL UNDERPLATE ALL OVER. TIN-LEAD ON POSTS.
- 8 CONTACT FINISH: DIN 41612 CLASS 3 IN CONTACT AREA. TIN-LEAD ON POSTS.
- 9 CONTACT FINISH: DIN 41612 CLASS 2 IN CONTACT AREA. TIN-LEAD ON POSTS.

SUPERSEDED BY: 5535032-4	3	1 THRU 32	X	X	X	96	7-535032-4
	8	1 THRU 32	X	X	X	96	535032-9
	9	1 THRU 32	X	X	X	96	535032-5
	9	1 THRU 32	X	X	X	96	535032-4
	7	1 THRU 32	X	X	X	96	535032-1
NOTES	POSITIONS LOADED	C	B	A	NO. OF LOADED POSITIONS	ASSY PART NUMBER	

THIS DRAWING IS A CONTROLLED DOCUMENT.		DWN L. BRINER 12/6/88	Tyco Electronics Corporation Harrisburg, PA 17105-3608	
DIMENSIONS: mm [INCHES]		CHK J. BROWN 2/27/89	NAME ASSEMBLY, RECEPTACLE, EUROCARD, TOOLLESS PRESSFIT, 96 POSITION	
TOLERANCES UNLESS OTHERWISE SPECIFIED:		PRODUCT SPEC	SIZE A1	
0 PLC ± -		APPLICATION SPEC	CAGE CODE 00779	
1 PLC ± -			DRAWING NO 535032	
2 PLC ± 0.13 [.005]			RESTRICTED TO	
3 PLC ± -			CUSTOMER DRAWING	
4 PLC ± -			SCALE 4:1	
ANGLES ± -			SHEET 1 OF 1	
FINISH			REV R	