

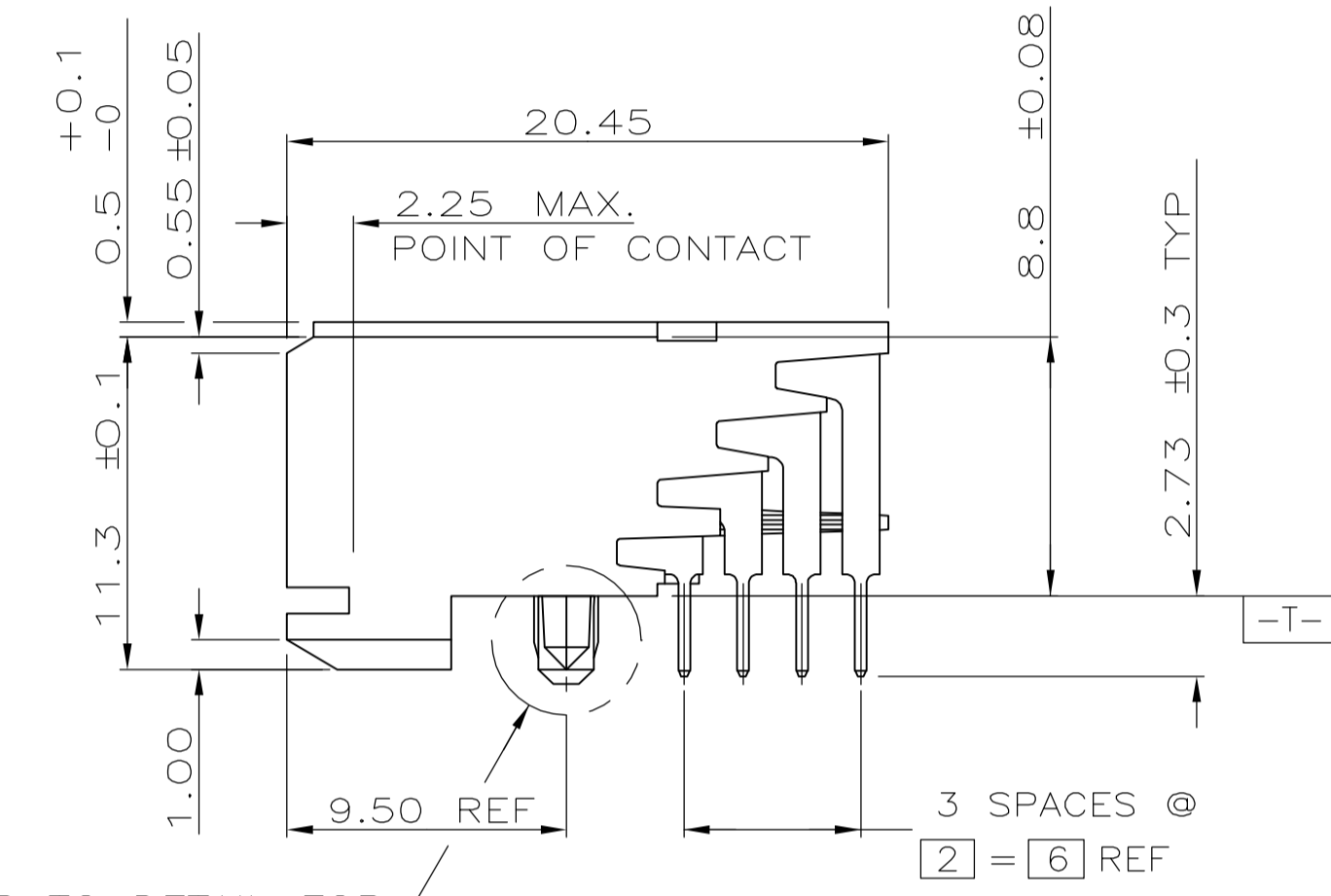
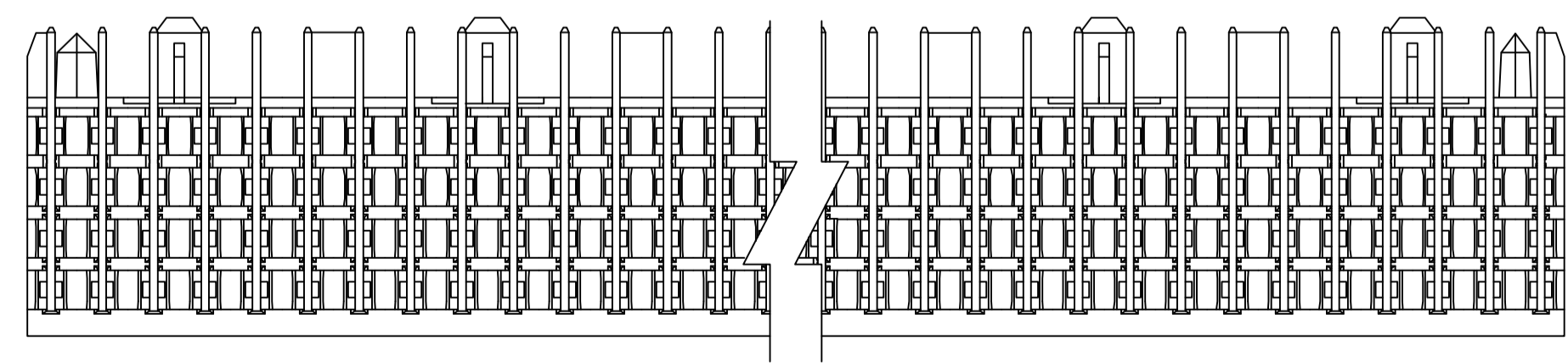
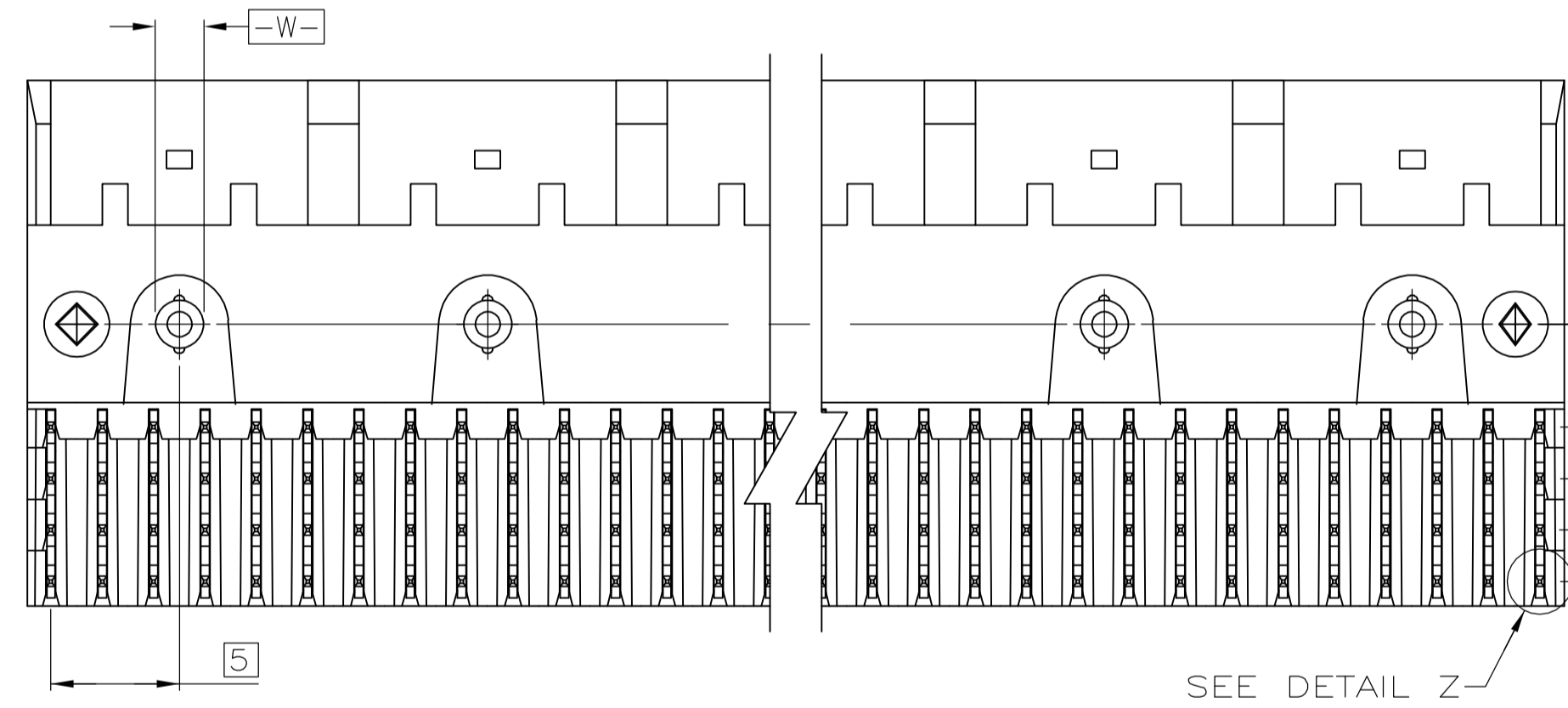
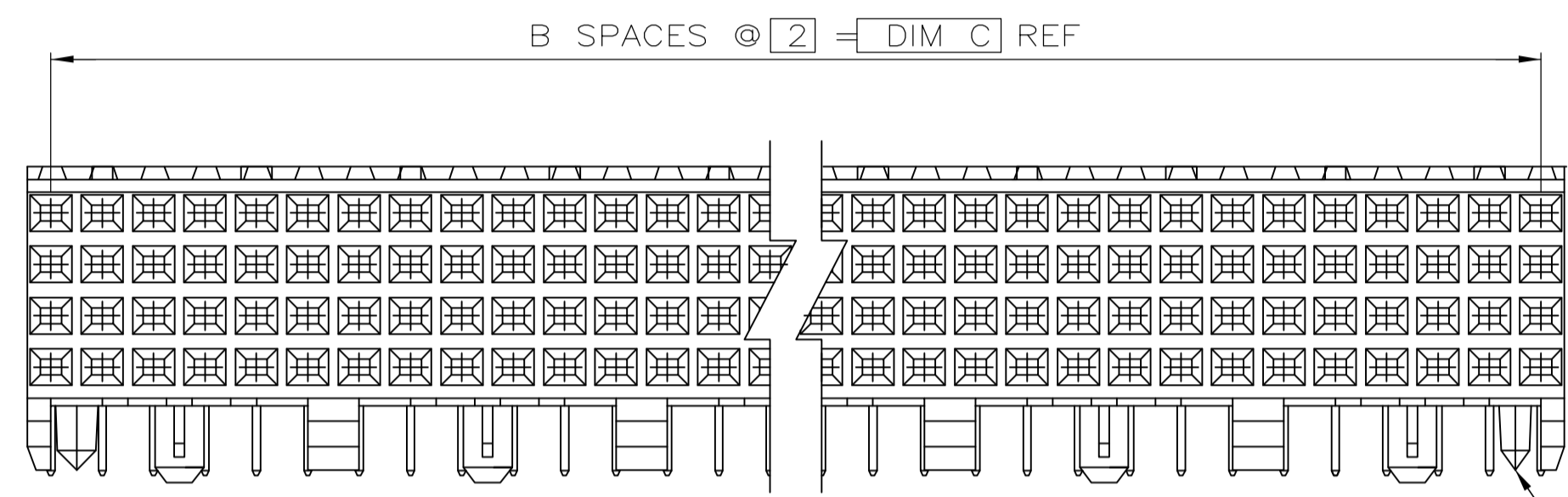
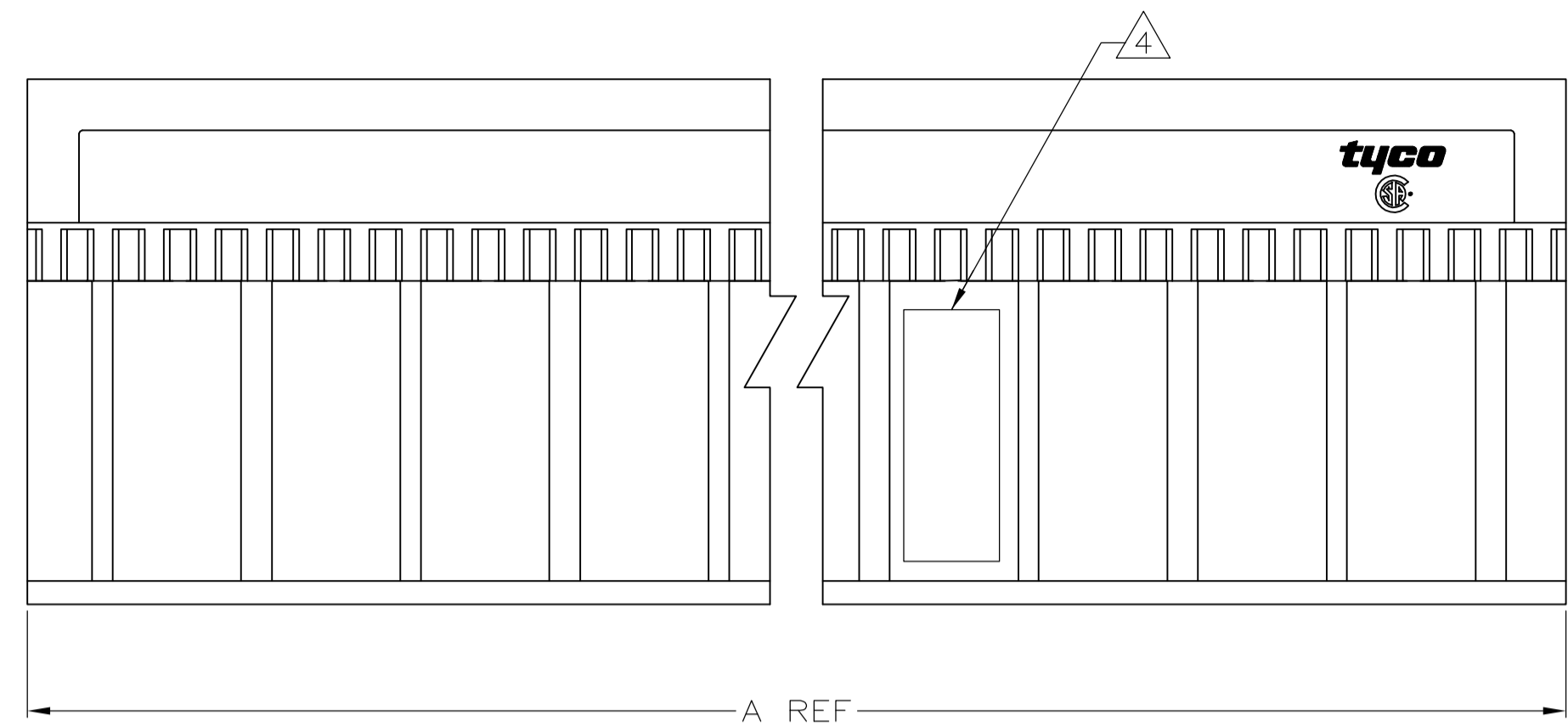
Distributed by:

JAMECO[®]
ELECTRONICS

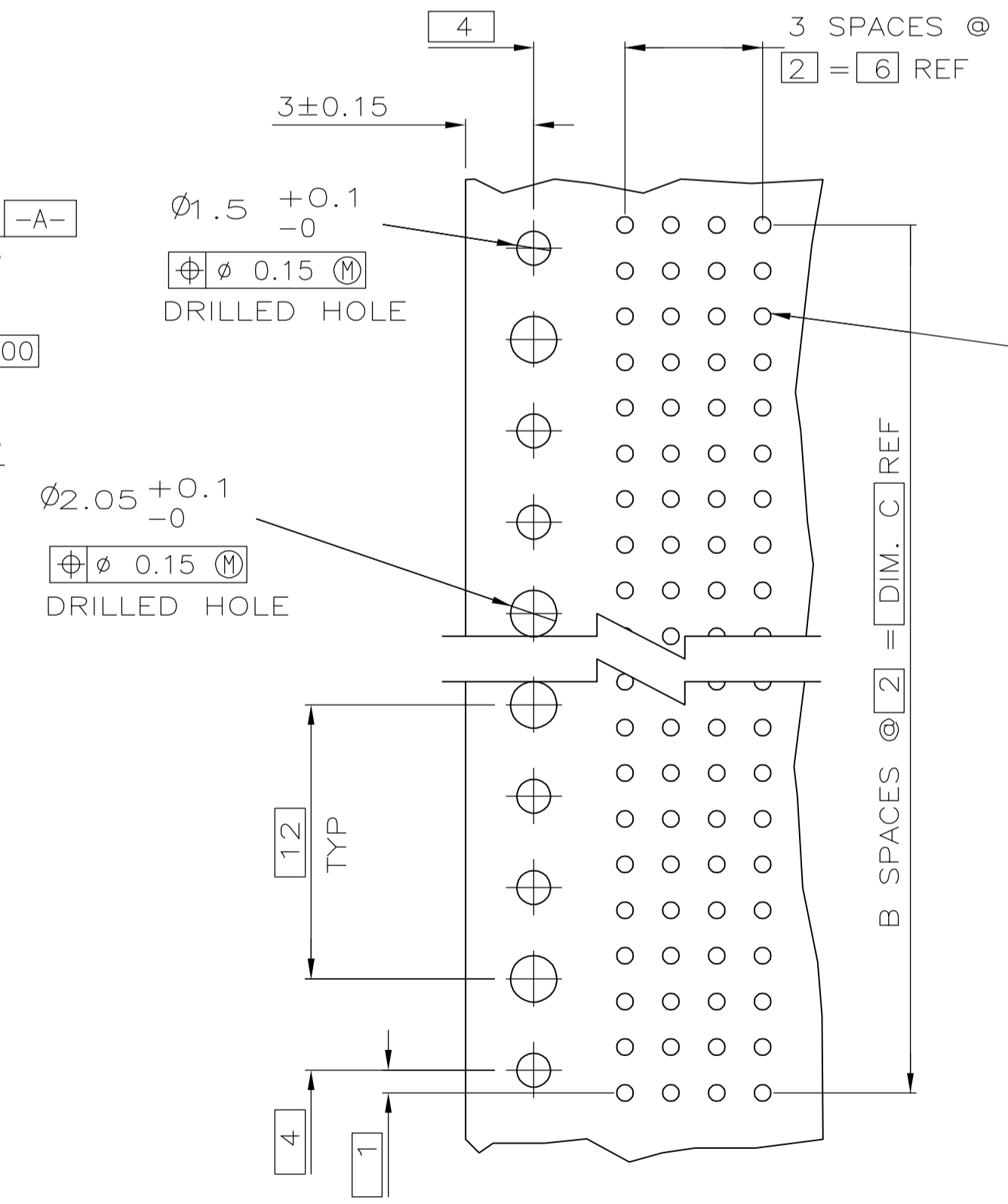
www.Jameco.com ♦ 1-800-831-4242

The content and copyrights of the attached
material are the property of its owner.

Jameco Part Number 754371

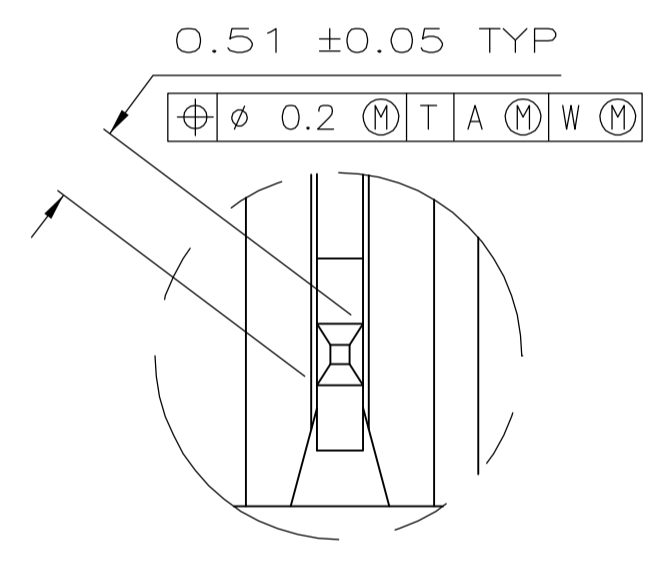


SEE TABLE
 REFER TO DETAIL FOR COLD HOLD CONFIGURATION

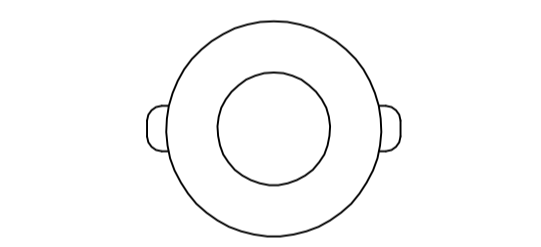
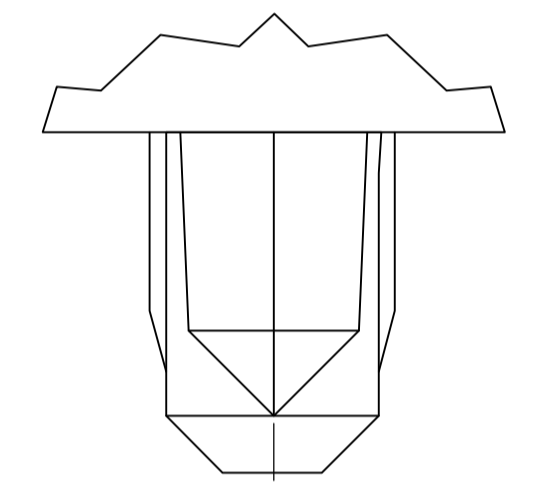


RECOMMENDED CIRCUIT PATTERN PER IPC-D300 TYPE II, CLASS C (COMPONENT SIDE)

- △1 HOUSING MATERIAL: LIQUID CRYSTAL POLYMER
COLOR: NATURAL.
- △2 CONTACT MATERIAL: PHOSPHOR-BRONZE.
- △3 CONTACT FINISH:
UNDERPLATE (ENTIRE CONTACT) - 0.00127 MIN. NICKEL
ON MATING SURFACES- CONFORMS TO ALL TESTING SPECIFIED FOR TELCORDIA UNCONTROLLED ENVIRONMENT
ON LEADS- 0.00381 MIN. TIN-LEAD, OVER UNDERPLATE
LUBRICATION (ENTIRE CONTACT) SURFACE CONDITIONER PER AMP SPEC. 112-1002 AFTER PLATING.
- △4 PART MARKING PER AMP INCORPORATED SPECIFICATION 115-9009, LOCATED APPROXIMATELY AS SHOWN.



DETAIL Z SCALE 20:1



TYPICAL COLD HOLD FOR ALL ASSEMBLIES

	NO	34	17	35.88	△3	72	1-536507-1
	NO	130	65	131.88	△3	264	1-536507-0
	NO	106	53	107.88	△3	216	536507-9
	NO	118	59	119.88	△3	240	536507-8
	NO	70	35	71.88	△3	144	536507-7
	NO	58	29	59.88	△3	120	536507-6
OBSOLETE	NO	82	41	83.88	△3	168	536507-5
	NO	94	47	95.88	△3	192	536507-4
	NO	46	23	47.88	△3	96	536507-3
	NO	22	11	23.88	△3	48	536507-2
	YES	10	5	11.88	△3	24	536507-1
POSITIONING PEGS	C	B	A	FINISH	NO OF POSN	PART NUMBER	

THIS DRAWING IS A CONTROLLED DOCUMENT. **tyco Electronics** Tyco Electronics Corporation Harrisburg, PA 17105-3608

DIMENSIONS: mm	TOLERANCES UNLESS OTHERWISE SPECIFIED:	DIN D.R.BENDER / SGC 08/06/92 01/26/93	APPROVED: D. PEOPLES 01/26/93	NAME: RECEPTACLE ASSEMBLY, SIGNAL MODULE, Z-PACK 2mm FB, 4 ROW, 2.73mm LEAD LENGTH
0 PLC ± -	1 PLC ± .13	2 PLC ± .13	3 PLC ± .13	4 PLC ± .13
ANGLES ± -	FINISH △1 △3	SIZE: A1	WEIGHT: -	SCALE: 4:1
MATERIAL: △1	FINISH: △3	CAGE CODE: 00779	DRAWING NO: 536507	SHEET 1 OF 1

CUSTOMER DRAWING