

Distributed by:

JAMECO[®]
ELECTRONICS

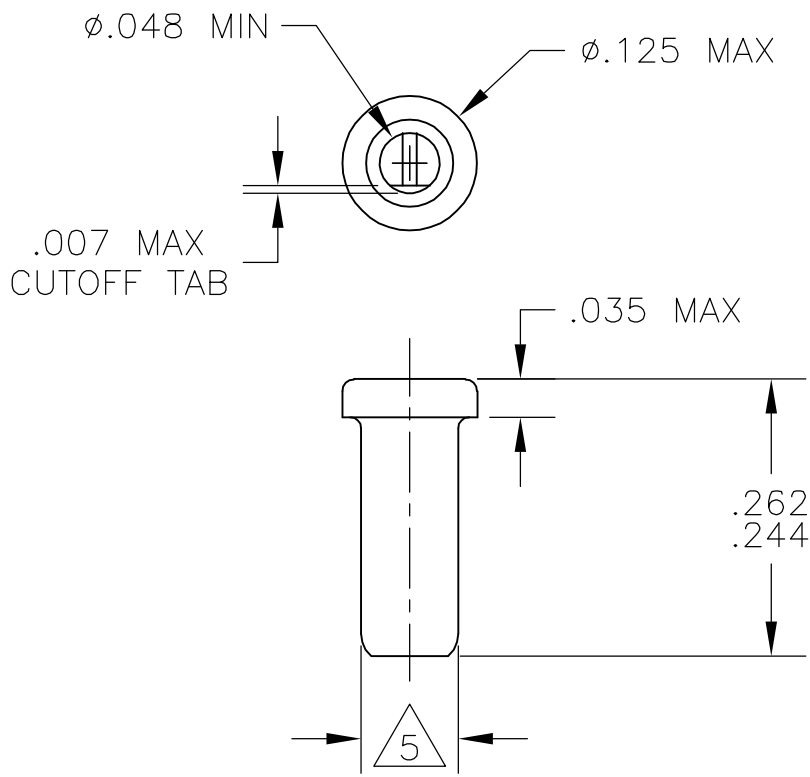
www.Jameco.com ♦ 1-800-831-4242

The content and copyrights of the attached
material are the property of its owner.

Jameco Part Number 1973921

THIS DRAWING IS UNPUBLISHED. RELEASED FOR PUBLICATION
 © COPYRIGHT - BY TYCO ELECTRONICS CORPORATION. ALL RIGHTS RESERVED.

LOC	DIST	REVISIONS					
AG	67	P	LTR	DESCRIPTION	DATE	DWN	APVD
			A	REVISED PER ECO-06-001742	31JAN06	JDP	JGH

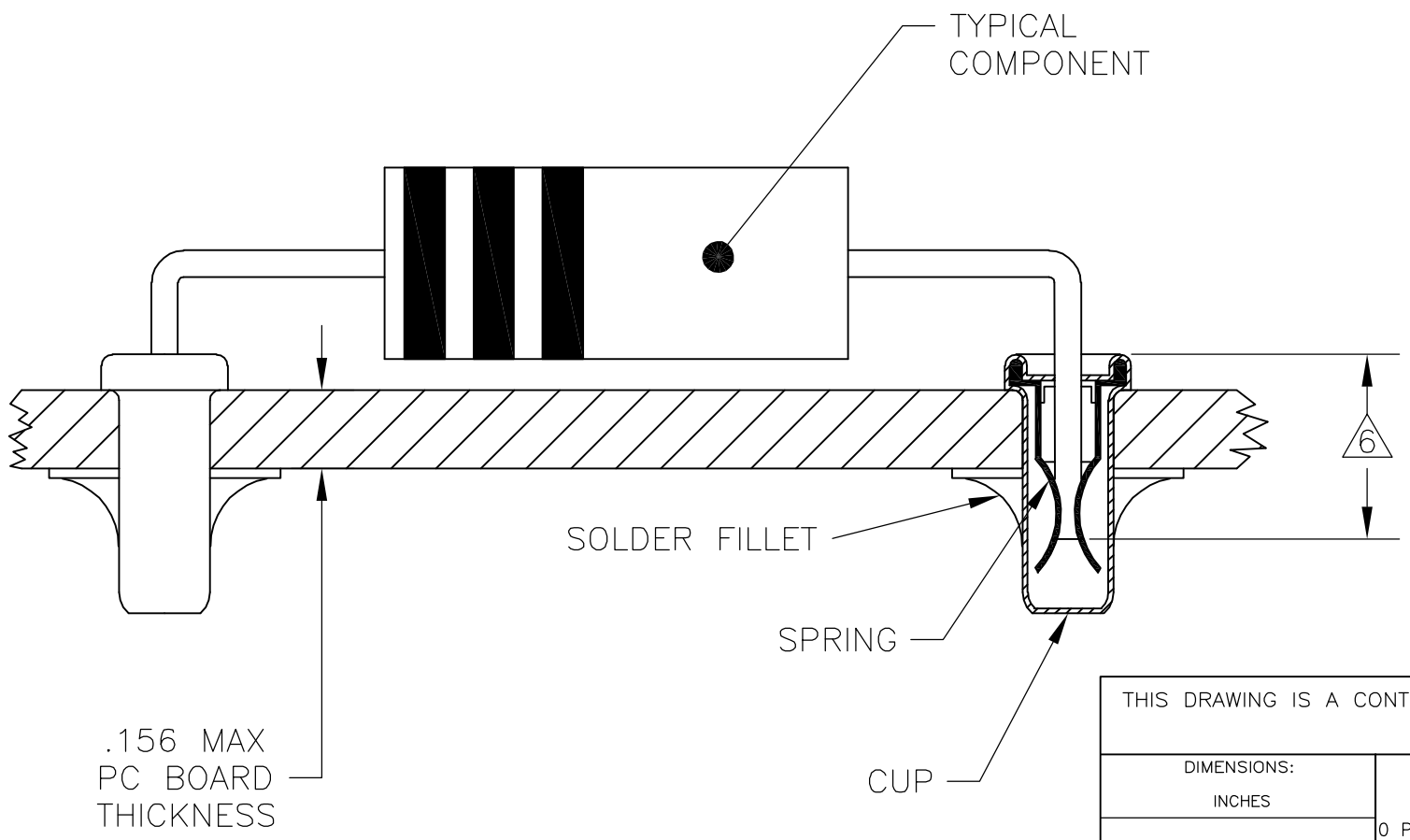


- 1 MATERIALS:
CUP: COPPER PER ASTM B 152
SPRING: BERYLLIUM COPPER PER ASTM B 194
- 2 TIN PLATE PER ASTM B 545 .000080 MIN THICK.
- 3 GOLD PLATE PER ASTM B 488 .000030 MIN THICK OVER NICKEL PLATE PER QQ-N-290 IN CONTACT AREA.
- 4 TIN PLATE PER ASTM B 545 .000100 MIN THICK.
- 5 PART FITS INTO A #43 DRILLED HOLE ($\phi.0890 \pm .0015$) FOR HAND INSERTION, AND A #44 DRILLED HOLE ($\phi.0860 \pm .0015$) FOR MACHINE INSERTION.
- 6 .145 MIN INSERTION DEPTH REQUIRED FOR A RELIABLE CONNECTION.

7. SPRING TO BE SECURED IN CUP WITH NO SPRING ROTATION PERMISSIBLE.

8. LEAD RANGES AND PERFORMANCE RESULTS:

LEAD RANGES (DIA)	.018-.020	.025-.032	.035-.040
MAX INSERTION FORCE (OZ)	17	37	48
MIN EXTRACTION FORCE (OZ)	1.0	1.5	2.0
MILLIVOLT DROP (mV MAX)	2.00	1.75	1.50



TIN 4	TIN 2	5380598-3
	GOLD 3	5380598-2
CUP	SPRING	PART NO.
PLATING		

THIS DRAWING IS A CONTROLLED DOCUMENT.		DWN J. HAVENER 18OCT2005	Tyco Electronics Corporation Harrisburg, PA 17105-3608	
DIMENSIONS: INCHES		CHK J. HAVENER 18OCT2005		
TOLERANCES UNLESS OTHERWISE SPECIFIED:		APVD J. HAVENER 18OCT2005	NAME REUSABLE COMPONENT RECEPTACLE	
0 PLC ± -		PRODUCT SPEC 108-1079	SIZE A3	
1 PLC ± -		APPLICATION SPEC 114-1055	CAGE CODE 00779	DRAWING NO C-5380598
2 PLC ± -		WEIGHT -	RESTRICTED TO -	
3 PLC ± .015		CUSTOMER DRAWING		
4 PLC ± -		SCALE NTS		
ANGLES ± 1°		SHEET 1 OF 1		
FINISH SEE TABLE		REV A		
MATERIAL 1				